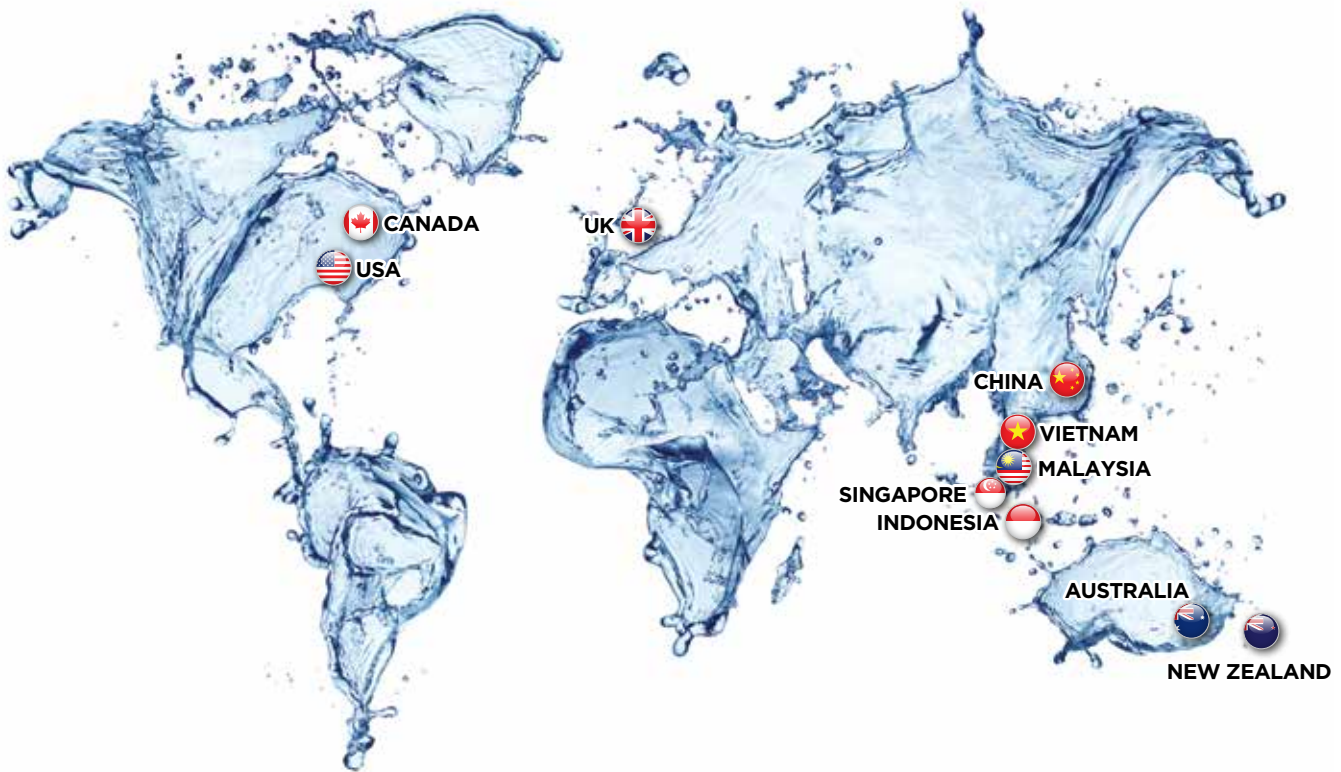




ASIAN SPARE PARTS BOOK

2024 | 2025

Effective 1st January 2024



MALAYSIA Kuala Lumpur - Research and Development, Manufacturing, Warehousing, Sales and Distribution.

SINGAPORE Regional Sales and Administrative Office.

VIETNAM Ho Chi Minh - Warehousing, Sales and Distribution.

INDONESIA Jakarta - Warehousing, Sales and Distribution.

AUSTRALIA Sydney (Head Office), Brisbane, Melbourne, Adelaide, Perth - Research and Development, Manufacturing, Warehousing, Sales and Distribution.

UK Kent - Manufacturing, Warehousing, Research and Development, Sales and Distribution.

USA Augusta - Research and Development, Manufacturing, Warehousing, Sales and Distribution.

CANADA Boucherville - Warehousing, Research Development, Sales and Distribution.

NEW ZEALAND Auckland - Warehousing, Sales and Distribution.

CHINA Guangzhou - Manufacturing, Chemical Packing, Warehousing, Sales and Distribution.

Index

PUMPS

- 4 Aquamite also Aquaswim Series 40C
- 5 Aquamite 50-125 40mm
- 6 Supastream 50-125 40mm Port (WFE1)
- 7 Supastream 50-125 50mm Port (WFE1)
- 8 Supastream 150 40mm Port (WFE1)
- 9 Supastream 150 50mm Port (WFE1)
- 10-11 Supatuf also Aquaswim Series 50
- 12 Supatuf MK2
- 13 Supatuf ECO 100
- 14 Supatuf ECO 100 MK2
- 15 Hydrotuf
- 16-17 Hydrostorm Pump
Also Aquaswim Series 50T & Maxi Grange
- 18 Hydrostorm ECO 100
- 19 Hydrostorm ECO-V 100
- 20 Hydrostorm ECO-V 150
- 21 Hydrostorm ECO-V 300
- 22 Hydrostorm Plus
- 23 FASCO Single Speed Motors
- 23 FASCO Variable Speed Motors
- 24 WFE 1 Variable Speed Motors
- 24 WFE 1 Single Speed Motors
- 25 Hydrostar 200 to 350
- 26 Hydrostar Commercial MK2 (MK1 - Pre 03/2004)
- 27 Hydrostar Commercial MK3 (Post 08/2006)
- 28 Hydrostar Commercial MK4
- 29 Hydrostar Plus
- 30 Hydrostar Plus 1450
- 31-32 Hydrosteel Pump
- 33-34 Cast Iron Pump
- 35 Commercial Strainer
- 36 Turboflo

FILTERS

- 37 Trimline Cartridge
- 38 Leaf Trapper
- 39 Opal Cartridge Filter
- 40 Opal XL Cartridge
- 41 Waterco Top Load
- 42 40-Fulfo Tri Cartridge Filter
- 43-44 Fulflo Spares - Astra D.E.
- 43 Air Bleed Assembly
- 45-46 Micron/Thermoplastic/Hydron Common Parts
- 47 Exotuf E500/E600/E602/
E702 TM Filter/Exotuf Plus/SM
- 48-49 Micron Side Mount Sand Filter
- 50 Top Mount Filter Tanks
Also Aquaswim Tank Filament Wound
- 51 Micron Side Mount Commercial Filters
- 52-53 SD Series Deep Bed Filter
- 54-55 SMD/SMDD Side Mount Deep Bed Filters
- 56 Flange Assembly
- 57 SPDD Side Mount Deep Bed
Commercial Filters
- 58 Hydron Commercial Filter

GENERAL EQUIPMENT

- 59 Multiport Valves
- 40mm Waterco Valve (Grey or Black)
228042/229042/2390495
- 60 Multiport Valves
- 40mm 6 Way Collar Type 2280443
- 61 Multiport Valves
- 50mm Waterco Valve TM and SM 228053 + 2290512
- 62 Multiport Valves
- 50mm Waterco Valve TM 228058
- 63 Multiport Valves
- 65mm Waterco Valve SM (22905010) and TM (2280600)
- 64 Multiport Valves
- 80mm Waterco Valve SM (2290820) and TM (228800)
- 65 Multiport Valves
- Waterco 100mm MPV - SM (2291005)
- 66 Multiport Valves
- 40mm 5 Way 6 Bar Valve 228026
- 67 Multiport Valves
- 40mm 5 Way Collar Type 7 Bar Valve 2280262
- 68 Multiport Valves
- TM 40mm Clamp 22804455
(Superseded By 22804456)
- 69 Multiport Valves
- 40mm TM 6 Way Clamp Type MK3 22804456
- 70 Multiport Valves
- 40mm TM 6 Way Clamp Type 2280422
- 71 Multiport Valves
- 40mm Tm 6 Way Ext Thread MK2 22804415
(Superceded By 22804416)
- 72 Multiport Valves
- 40mm TM 6 Way Ext Thread MK3 22804416
- 73 Multiport Valves
- 50mm SM SF INT/Thread Mk2 22905130
- 74 Electrochlor 20A, 30A, 20A SC,
25A SC, 30A SC
- 75 Electrochlor LCD 20A, 20A SC,
25A SC, 30A SC
- 76 Hydrochlor 20A SC, 25A SC & 30A SC
- 77 Hydrochlor TS, 20A SC, 25A SC & 30A SC
- 78 Hydrochlor MKIII Chlorinator
2000, 2500, 3000
- 79 Hydrochlor ST
- 80 Water King
- 81 Electrochlor Mineral Eco
- 82-83 Electrochlor Mineral Plus Power Pack
- 84 Electrochlor Mineral Pro
- 85-86 Skimmer Boxes
- Waterco S75/Supaskimmer/Fulflo
- 87 Skimmer Boxes - Paramount SP5000
- 88 Main Drains
- 89 Auto Poolwater Leveller
- 90 Floor Inlet Adjustable
- 90 Floor Inlet Repair Kit
- 91 Halogen Underwater Light MK4
- 92 Litestream LED Warm White Replacement
Model
- 93 Britestream Surface Mounted LED Lights
Britestream Surface Mounted MK4/5
- 94 Britestream Niche Led Lights

Index

HEATERS

- 95 Master/Turbo Temp Gas Heater
- 96 Waterco Digiheat Heater
- 97 Electroheat Titanium MKI
Model 55 single phase
- 98 Electroheat Titanium MKI
Model 80 single phase
- 99 Electroheat Titanium MKI
Model 55 & 80 single phase
- 100-101 Electroheat Plus MKI
Models 85, 105, 125 & 150 Single and Three Phase
- 102 Electroheat Titanium MKII
Models 55 & 80 Single Phase
Electroheat Titanium MKII
Models 85 Single Phase
- 103 Electroheat Plus MKII
Model 85, 105, 125, & 150 Three Phase
- 104 Electroheat Titanium MKIII
Models 16kW & 23kW Single Phase
Electroheat Plus MKIII
Model 25kW Single Phase
- 105 Electroheat Plus MKIII
Models 25kW, 31kW, 37kW & 44kW Three Phase
- 106 Electroheat Plus MKII & MKIII (Diagram)
- 107 Electroheat Subzero
Models 55 & 75 Single Phase
- 108 Electroheat Subzero
Models 75 & 100 Three Phase
- 109 Electroheat Ultra
Models 16kW & 22kW Single Phase
- 110 Electroheat Ultra
Models 22kW, 31kW & 44kW Three Phase
- 111 Electroheat SubZero and Ultra
- 112 Electroheat MKIV & Ultra
- 113 Electroheat MKV & Ultra
- 114 Electroheat ECO V Inverter 12kW
- 115 Electroheat ECO V Inverter TV 17, 21, 14kW
- 116 Electroheat Heat & Cool 6D Celsius 37kW
- 117 Electroheat PRO 100
- 118 Electroheat ECO-V Inverter Side Vent
5,9,12,17kW
- 119 Electroheat ECO-V Inverter Side Vent 25kW
- 120 Electroheat ECO-V Inverter Top Vent
35,45kW

GENERAL EQUIPMENT

- 121 Whisper Air/Airflo
- 122 Flow Check Valve
- 123-127 2 & 3 Way Valves
- 128 Solar Inline Strainer

WATERCO POOL CLEANERS

- 129-130 Nitro Wall Scrubber/Admiral Ultra Robotic
Cleaner/Admiral ATV
- 131 Nitro/Admiral Robotic Cleaner

WATERCO INFLOOR POOL CLEANING

- 132 Infloor Cleaning System

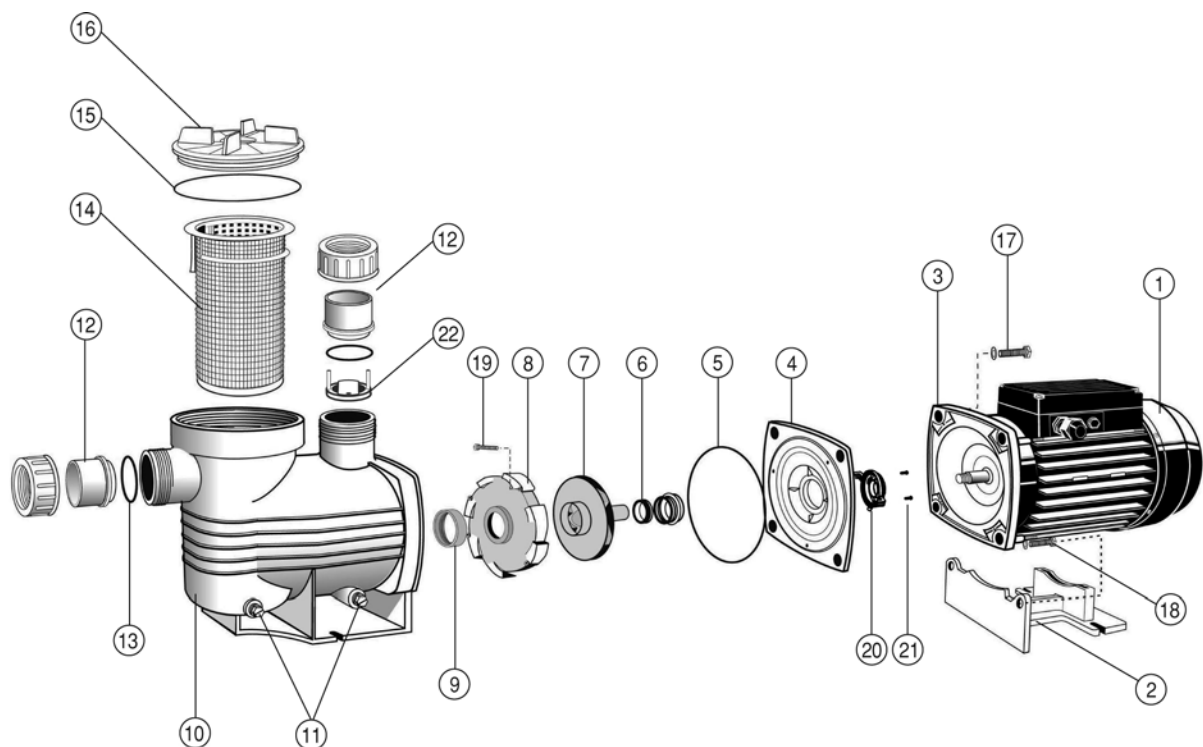
WATER FILTERS & PURIFIERS

- 133 Gravity Purifiers
- 134 Gemini Undersink Filter
- 135-136 Commandomatic Trimline Filters
- 137-138 W & WD Series Deep Bed Filter
- 139 Underdrain Assembly
- 140 Multicyclone 40
(Multicyclone 12 Centrifugal Filter)
- 141 Multicyclone 50
(Multicyclone 16 Centrifugal Filter)
- 142 Multicyclone 16 Pro Centrifugal Filter
7 Bar Black
- 143 Multicyclone 12 Plus C40
(Multicyclone 12 Plus C40 Cartridge)
- 144 Multicyclone 16 Plus C40
(Multicyclone 16 Plus C40 Cartridge)
- 145 Multicyclone 12 Ultra C75
(Multicyclone 12 Ultra C75 Cartridge)
- 146 Multicyclone 16 Ultra C75
(Multicyclone 16 Ultra C75 Cartridge)
- 147 Multicyclone Stand Over Pump
- 148 Multicyclone 70XL Commercial
- 149 Ultravac Service Trolley
- 150 Aquabiome Skids

Aquamite also Aquaswim Series 40C

Product codes: 2402050, 2402075, 2402100, 2402125, 2402050a, 2402075A, 2402100A, 2402125A

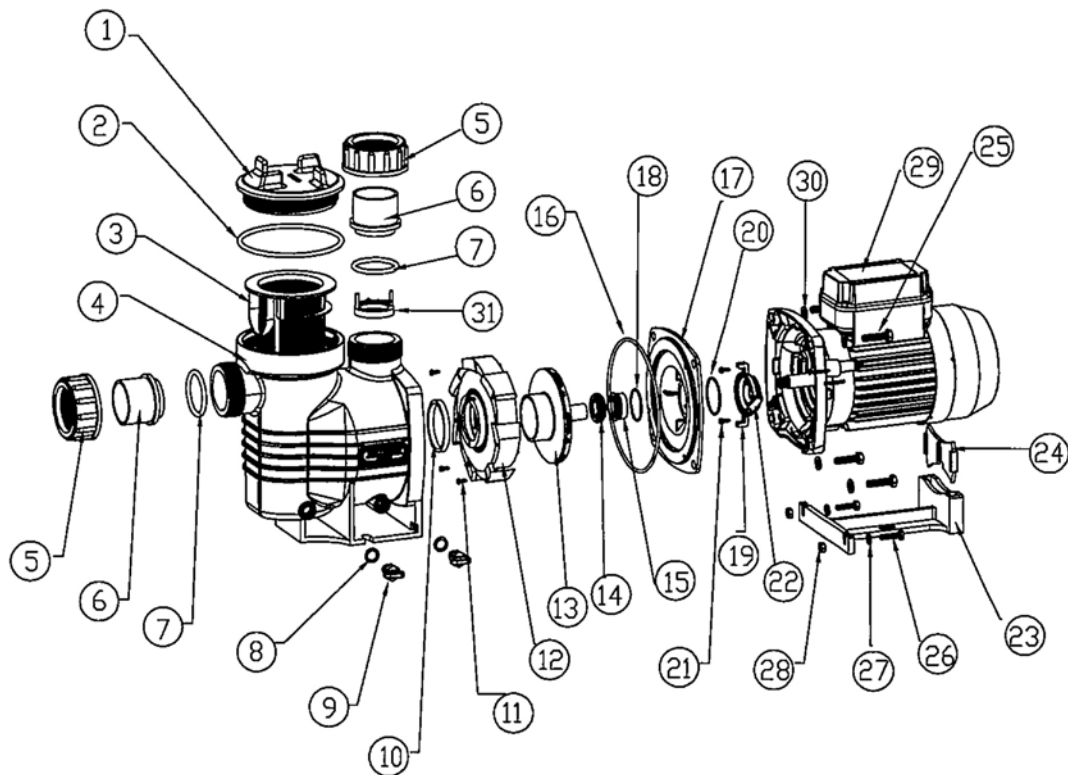
Part Number	Product Description	Diagram Number
6307245	Motor 1.17kW no slinger required	1
635072	Pump foot	2
635074	Pump foot insert	n/s
634047	Motor end shield (for 6307245)	3
S1226911	Pump body o'ring	5
6340162	Mechanical Seal SS 316	6
635065	Impeller (Aquamite 50)	7
635066	Impeller (Aquamite 75)	7
635067	Impeller (Aquamite 100)	7
635068	Impeller (Aquamite 125)	7
S1228633	Shim (set of 3)	n/s
635061	Diffuser	8
635060	Diffuser gasket	9
635082	Pump face h/l pot body	10
63402302	Drain plug	11
122243B	40mm half union c/w O'Ring	12
64479	Half union o'ring	13
635085	Aquamite Basket	14
635084	H/L pot lid o'ring	15
635083	H/L Pot lid	16
63505321	Aquamite multi pack M8 bolts & washers	17/18
6302180	4 x 6302180 (M8 washer)	
6350540	2 x 6350540 (M8 x 40 bolt)	
63506350	Aquamite Adaptor Kit:-	
	6350635 - Aquastream bracket with M3 insert & groove	4 & 19
	S1290816 - Screw M3x30mm Pan Head SS (each, 4 required)	19
	6340165 - Flange Protector Kit	20
	63400833 - Screw #4x3/8" Pan Head SS (each, 2 required)	21
	6340162 - Mechanical Seal SS 316	6
85517	Solar Insert Check Valve	22
634086	Toolbar (suits all pumps)	n/s
63404402	Fan 63F BCB MTR (6307245)	
63404401	COWL 63F BCB MTR(6307245)	



Aquamite 50-125 40mm

Product codes: 2402033, 2402050, 2402075, 2402100 & 2402125

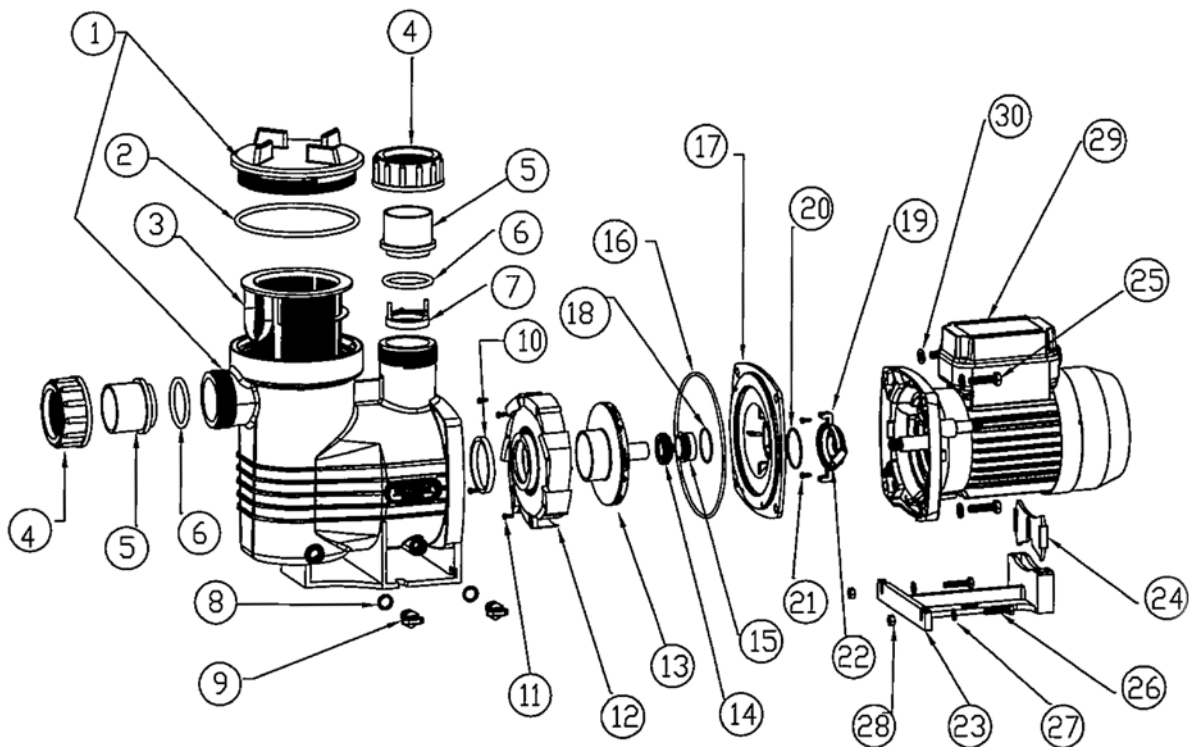
Part Number	Product Description	Diagram Number
635083	Lid	1
635084	Lod O'Ring	2
6350850	Basket - Fine Mesh	3
635082	H&L Pot Body	4
122243B	Half barrel union c/w o'ring	5/6/7
64479	Union O'Ring	7
620193	O'Ring BS112	8
63402302	Drain Plug 1/4"	9
635060	Sleeve Coupling	10
S1290816	Screw M3X30mm	11
635061	Diffuser	12
635064	Impeller 0.33HP	13
635065	Impeller 0.50HP	13
635066	Impeller 0.75HP	13
635067	Impeller 1.0HP	13
635068	Impeller 1.25HP	13
6340162	Mechanical Seal SS 316	14/15
S1226911	O'Ring 0.093 X 6.187	16
6350635	Bracket w/M3 Insert & Grove	17
63813922	O'Ring BS029	18
6340163	Flange Protector	19
63813921	O'Ring Pump Flange Protector Pot Body	20
63400833	Screw 4X3/8" Pan Head	21
SB112702	Tube PVC 5mmx65mm Long	22
6340222	Pump Foot (Modified)	23
634021	Pump Foot Insert	24
63400410	Foot Bolt	26
6340030	Foot Washer	27
6340060	Pot Foot Nut	28
6350255	Motor 550W	29
6350275	Motor 750W	29
6302180	Mounting Washer	30
85517	Solar Insert Check Valve	31



Supastream 50-125 40mm Port (WFE1)

Product Codes: 2403050, 2403075, 2403100 & 2403125

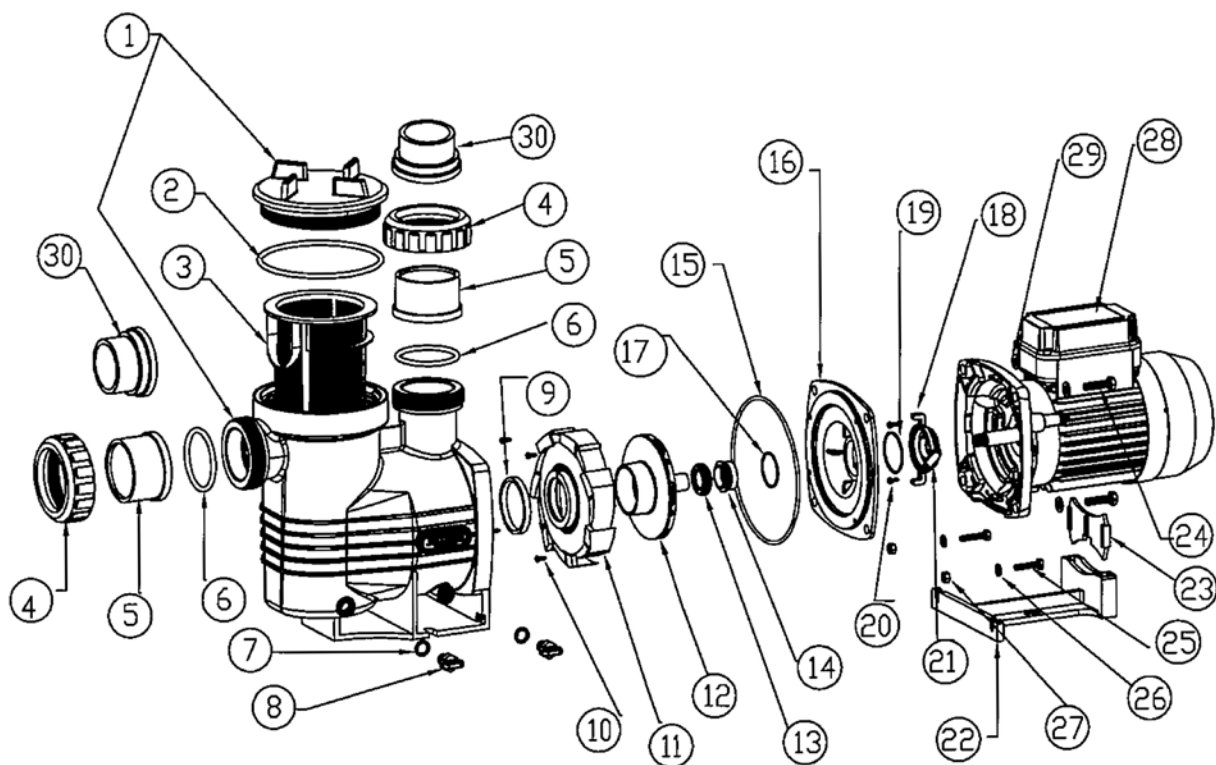
Part Number	Product Description	Diagram Number
635051	Pump Lid	1
635081	H&L Pot Body	1
635052	Lid O'Ring	2
635087	Basket - Fine Mesh	3
122243B	Half barrel union c/w o'ring	4/5/6
64479	Half union O'ring	6
85517	Solar Pump Flapper Check Valve	7
620193	O'Ring	8
63402302	Drain Plug 1/4"	9
635060	Sleeve Coupling	10
S1290816	Screw M3X30mm Pan Head	11
635061	Diffuser	12
635065	Impeller 0.50HP	13
635096	Impeller 075	13
635097	Impeller 100	13
6350984	Impeller 125	13
6340162	Mechanical seal	14/15
S1226911	O'Ring 0.093 X 6.187	16
6350635	Bracket W/M3 Insert & Grove	17
63813922	O'Ring	18
6340163	Flange Protector	19
63813921	O'Ring Pump Flange	20
63400833	Screw 4X3/8" Pan Head	21
SB112702	Tube PVC 5mm	22
6340222	Pump Foot	23
634021	Pump Foot Insert	24
6350530	Bolt M8X30	25
63400410	Foot Bolt	26
6340030	Pot Foot Washer	27
6340060	Pot Foot Nut	28
6350255	Motor 550W	28
6350275	Motor 750W	29
6302180	Mounting Washer	30



Supastream 50-125 50mm Port (WFE1)

Product Codes: 240307550, 240310050, 240312550

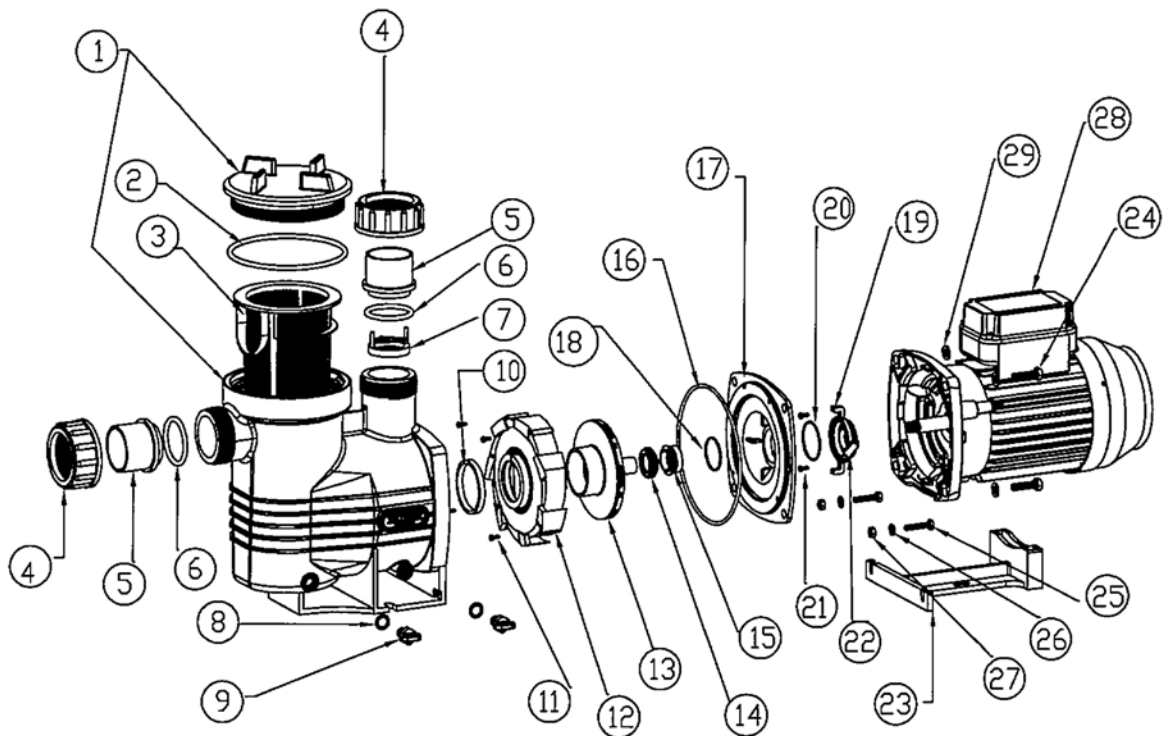
Part Number	Product Description	Diagram Number
635051	Pump Lid	1
6350810	H&L Pot Body	1
635052	Lid O'Ring	2
635087	Basket - Fine Mesh	3
634024B	Half Union 50mm W/O'Ring (2 req'd) - Black	4/5/6
6340241	50mm half union o'ring	6
620193	O'Ring	7
63402302	Drain Plug 1/4"	8
635060	Sleeve Coupling	9
S1290816	Screw M3X30mm Pan Head	10
635061	Diffuser	11
635096	Impeller 075	12
635097	Impeller 100	12
6350984	Impeller 125	12
6340162	Mechanical seal	13/14
S1226911	O'Ring 0.093 X 6.187	15
6350635	Bracket W/M3 Insert & Grove	16
63813922	O'Ring	17
6340163	Flange Protector	18
63813921	O'Ring Pump Flange	19
63400833	Screw 4X3/8" Pan Head	20
SB112702	Tube PVC 5mm	21
6340222	Pump Foot	22
634021	Pump Foot Insert	23
6350530	Bolt M8X30	24
63400410	Foot Bolt	25
6340030	Pot Foot Washer	26
6340060	Pot Foot Nut	27
6350255	Motor 550W	28
6350275	Motor 750W	28
6302180	Mounting Washer	29
634024542	Half Union 50/40mm Black	4/5/6/30



Supastream 150 40mm Port (WFE1)

Product Code: 2403150

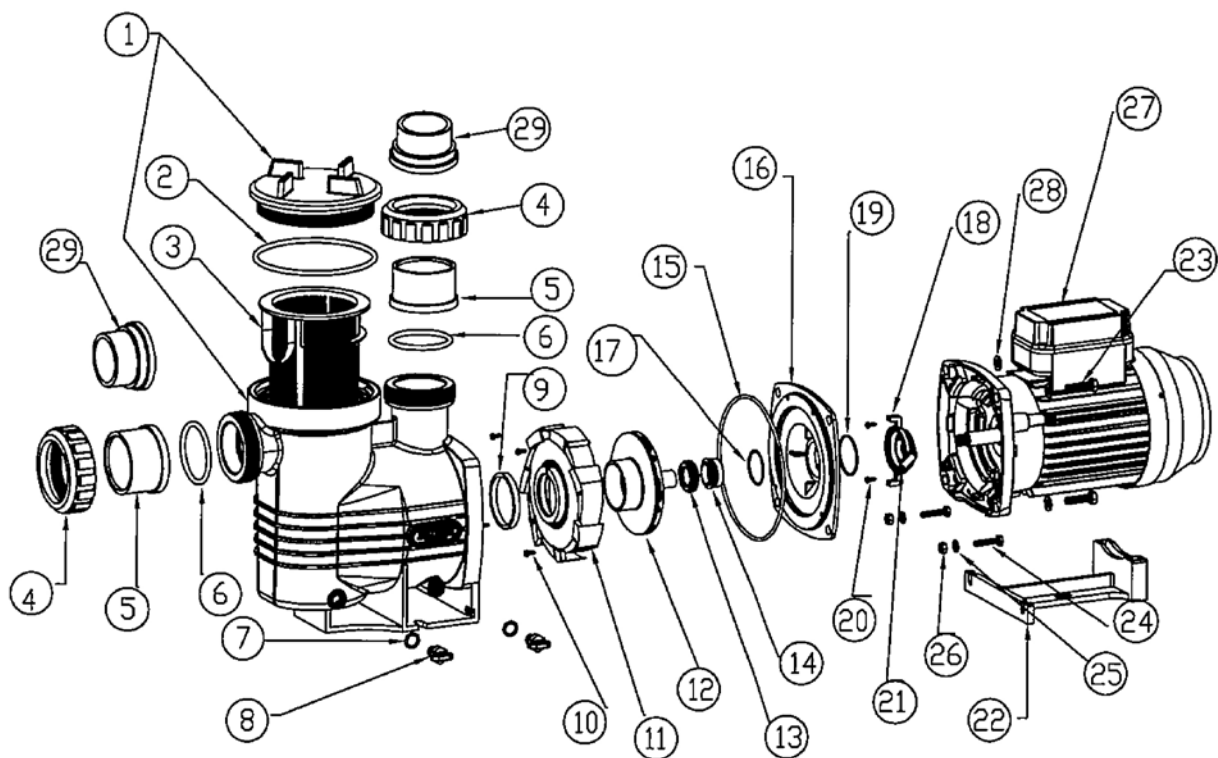
Part Number	Product Description	Diagram Number
635051	Pump Lid	1
635081	H&L Pot Body	1
635052	Lid O'Ring	2
635087	Basket - Fine Mesh	3
122243B	Half barrel union c/w O'Ring	4/5/6
64479	Half union O'ring	6
85517	Solar Pump Flapper Check Valve	7
620193	O'Ring	8
63402302	Drain Plug 1/4"	9
635060	Sleeve Coupling	10
S1290816	Screw M3X30mm Pan Head	11
635061	Diffuser	12
635099	Impeller 075	13
6340162	Mechanical seal	14/15
S1226911	O'Ring 0.093 X 6.187	16
6350635	Bracket W/M3 Insert & Grove	17
63813922	O'Ring	18
6340163	Flange Protector	19
63813921	O'Ring Pump Flange	20
63400833	Screw 4X3/8" Pan Head	21
SB112702	Tube PVC 5mm	22
6340222	Pump Foot	23
6350530	Bolt M8X30	24
63400410	Foot Bolt	25
6340030	Pot Foot Washer	26
6340060	Pot Foot Nut	27
6350295	Motor 1100W	28
6302180	Mounting Washer	29
634024542	Half Union 50/40mm Black	4/5/6/30



Supastream 150 50mm Port (WFE1)

Product Code: 240315050

Part Number	Product Description	Diagram Number
635051	Pump Lid	1
6350810	H&L Pot Body	1
635052	Lid O'Ring	2
635087	Basket - Fine Mesh	3
634024B	Half Union 50mm W/O'Ring (2 required) - Black	4/5/6
6340241	50mm half union o'ring	6
620193	O'Ring	7
63402302	Drain Plug 1/4"	8
635060	Sleeve Coupling	9
S1290816	Screw M3X30mm Pan Head	10
635061	Diffuser	11
635099	Impeller 075	12
6340162	Mechanical seal	13/14
S1226911	O'Ring 0.093 X 6.187	15
6350635	Bracket W/M3 Insert & Grove	16
63813922	O'Ring	17
6340163	Flange Protector	18
63813921	O'Ring Pump Flange	19
63400833	Screw 4X3/8" Pan Head	20
SB112702	Tube PVC 5mm	21
6340222	Pump Foot	22
6350530	Bolt M8X30	23
63400410	Foot Bolt	24
6340030	Pot Foot Washer	25
6340060	Pot Foot Nut	26
6350295	Motor 750W	27
6302180	Mounting Washer	28
634024542	Half Union 50/40mm Black	4/5/6/30

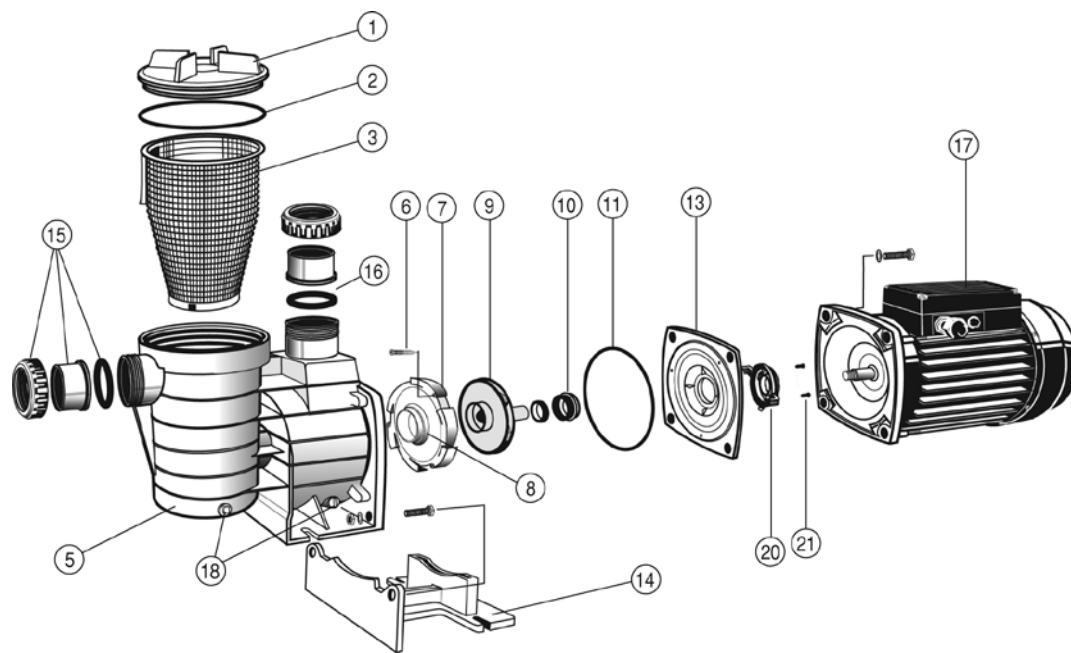


Supatuf also Aquaswim Series 50

Product Codes: 241100, 241125, 241150, 241200, 241250

Part Number	Product Description	Diagram Number
634000	H/L pot lid	1
63151	H/L pot lid O'Ring	2
6350011	H/L pot basket mk2	3
6350191	Pump face H/L pot body (Supatuf 75 - 200)	5
6350192	Pump face H/L pot (Supatuf 250)	5
635017	Diffuser (Supatuf 75 - 200)	7
635022	Diffuser (Supatuf 250)	7
634011	Diffuser gasket	8
635010	Impeller (Supatuf 75)	9
635011	Impeller (Supatuf 100)	9
635014	Impeller (Supatuf 125)	9
635012	Impeller (Supatuf 150)	9
63501205	Impeller kit for Supatuf 150 with drilled & tapped motor shaft only	
635013	Impeller (Supatuf 200)	9
63501305	Impeller kit for Supatuf 200 with drilled & tapped motor shaft only	
6350230	Impeller (Supatuf 250)	9
6350160	Impeller (Supatuf 300) (suit screw type)	9
6340162	Mechanical Seal 316SS	10
635028	Pump body O'Ring	11
6340222	Pump foot (Supatuf 100-125)	14
6340223	Pump foot (Supatuf 150-250)	14
634024B	Half Union 50mm W/O'Ring (2 required) - Black	15
6340241	50mm half union O'Ring	16
635034	Motor (Supatuf 75)	17
635035L	Motor 1.68kW (150, 200)	17
635036L	Motor 2.16kW (250)	17
6350373E	Motor 1.8kW (200,250)	17
635034F	Motor 71F 1200WQTE A14 (100, 125)	17
635035F	Motor 71F 1500WQTE A15 (150)	17
63402120	Pump foot insert (Supatuf 100-125)	
634023	Drain Plug	18
631781	Motor slinger (suit 635034)	19
631782	Motor slinger (suit 6350383EM)	19
634047	End shield (for 635034)	n/s
644772	Fibre WSH 1/4X9/16X1/32	
6340410	L/Hand Screw M5x18 w/oring	
6340020	Supatuf M6 multi pack bolts & washers	n/s
	2 x 6340060 (M6 nut)	
	2 x 6340030 (M6 washer)	
	2 x 63400410 (M6 x 25 bolt)	
63401813	Supatuf M10 multi pack bolts & washers (pre 2003)	n/s
	4 x 6302181 (M10 washer)	
	4 x 6340181 (M10 x 30 bolt)	
63401812	Supatuf M8 multi pack bolts & washers (2003 - current body)	n/s
	4 x 6302180 (M8 washer)	
	4 x 6350530 (M8 x 30 bolt)	
634086	Toolbar (suits all pumps)	n/s
63502150	Adaptor Kit Supatuf 75-200 MK2	
	6350215 - Bracket W/M3 Insert & Grove	6 & 13
	6340164 - Flange Protector & O'Ring Assy	20
	6340162 - Mechanical Seals	10
	SB112702 - Tube PVC 5mmx65mm Long	n/s
	63400833 - Screw 4X3/8" Pan Head	21
	S1290816 - Screw M3x30mm Pan Head	6
	63813922 - O'Ring BS029	11
63502151	Adaptor Kit for Supatuf/Supaflo (250-350)	
	63502141 - Square Bracket Kit (S/T 250-350 Mkl)	6 & 13
	63400835 - Screw M3x45 SS 304 Pan Head (each, 3 required)	6
	6340165 - Flange Protector Kit	20
	63400833 - Screw #4 3/8" Pan Head SS (each, 2 required)	21
	6340162 - Mechanical Seal SS 316	10
63502743	Motor 0.75KW 3 Speed BLDC NEMA FL BCB	17

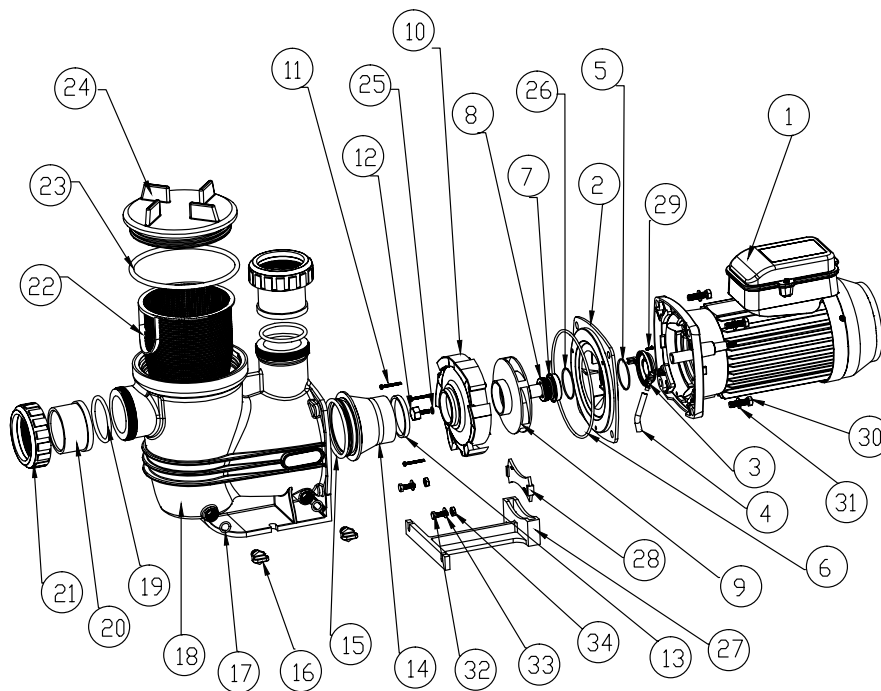
Supatuf also Aquaswim Series 50 (Continue)



Supatuf MK2

Product Codes: 24110002 - 1HP, 24115002 - 1.5HP, 24120002 - 2HP

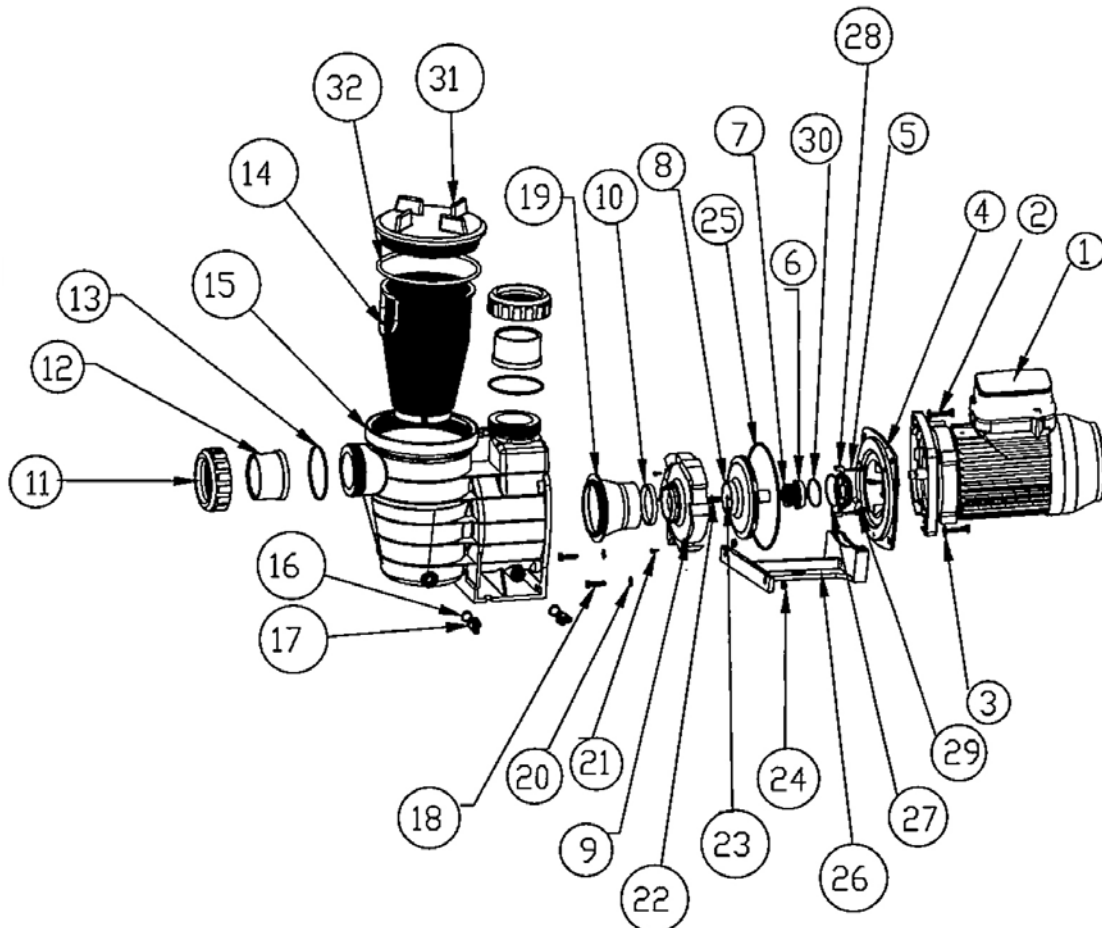
Part Number	Product Description	Diagram Number
6350275	Motor 750W	1
6350295	Motor 1100W	1
6350296	Motor 1500W	1
6350215	Bracket W/M3 Insert & Grove	2
6340163	Pumpflange Protector	3
SB112702	Tube PVC 5mmx65mm long	4
63813921	O'Ring BS031	5
S1204611	O Ring 0.125 x 6.5mm OD	6
634016201	Mech Seal Primary Seals Ring 6A Matte 316	7
634016202	Mech Seal Mating Ring 6A Polished S/S316	8
635011	Supatuf 1.0HP Impeller	9
63501200	Supatuf 150 Impeller LHS	9
6350134	Supatuf 200 Impeller LHS Hole AUS/UK	9
635017	Diffuser 75-200	10
S1290816	Screw M3x30mm Pan Head	11
6340410	L/Hand Screw M5x18 Moulded	12
634011	Diffuser Gasket	13
W32561	Supatuf Nozzle MK2 0.5-2.0HP	14
W32563	O'Ring BS236	15
63402301	Drain Plub 1/4"	16
620193	O'Ring BS112 Air Vlv/Drain	17
63501918	Supatuf Pump Body Assy MK2 0.5-2.0HP	18
63501919	Supatuf Pump Boday Assy MK2 2.5-3.0HP	18
6340241	O'Ring 50mm B/U Rile	19
W02081BLK	B/U P/End Slip/Slip 50mm Black	20
W02083BLK	B/U Locking Nut 50mm Black	21
6350011	Supatuf Basket MK2	22
63151	Pot Lid O'Ring	23
634000	Pot Lid - only	24
82444205	O'Ring BS011	25
63813922	O'Ring BS029	26
6340222	Pump Foot 0.5HP, 0.75HP & 1.0HP	27
6340223	Pump Foot 56 Frame USA 1.5HP & 2.0HP	27
63400833	Screw 4GX3/8" Pan Head S/S	29
6350530	M8X30 SS316 S/Screw	30
6302180	T'Tuf Mounting Washer S/S316 5/16x5/8	31
63400410	Screw Set	32
6340030	Pot Foot Washer	33
6340060	Pot Foot Nut	34



Supatuf ECO 100

Product Code: 24110005

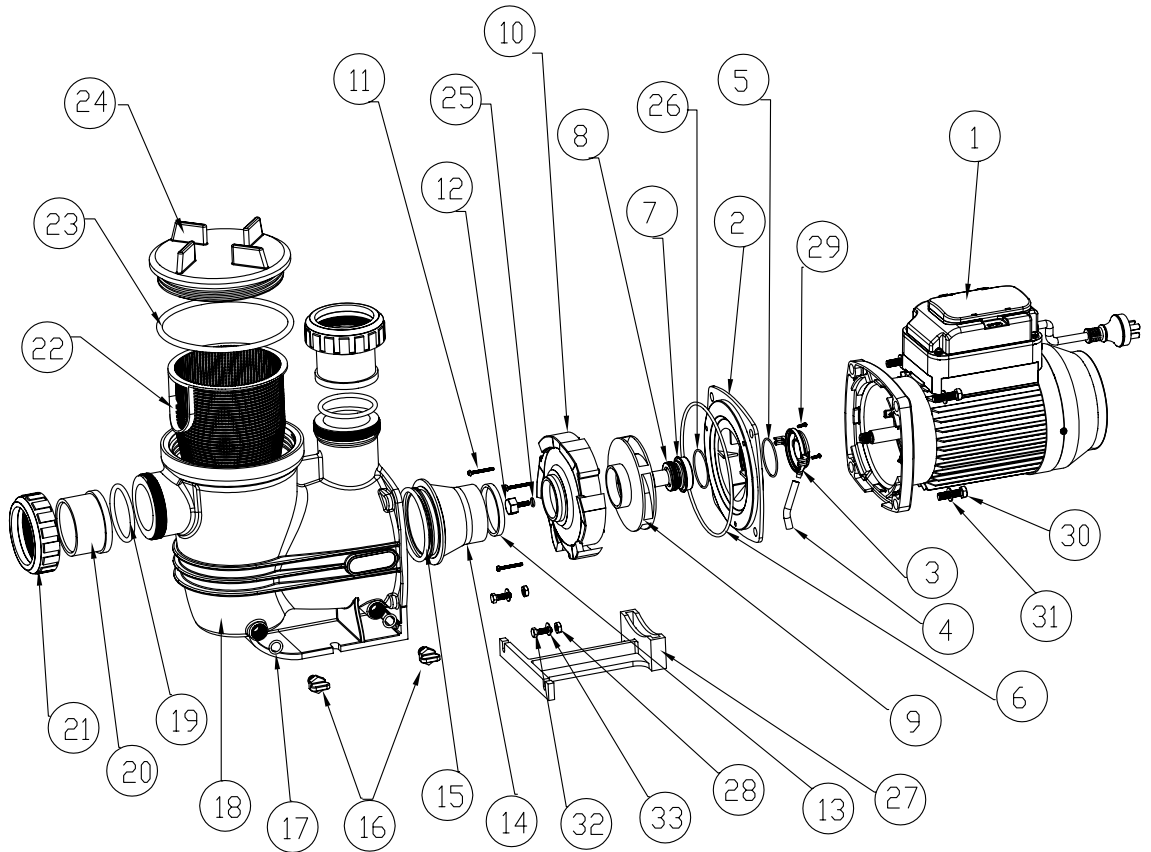
Part Number	Product Description	Diagram Number
63502743	Motor 0.75KW 3 Speed	1
6350530	Bolt M8X30 SS316 S/SCREW	2
6302180	Mounting Washer	3
6350215	Bracket W/M3 Insert & Grove	4
63400833	Screw 4X3/8" Pan Head	5
6340162	Mechanical Seal 316SS	6,7
63501100	Impeller 100 W/H hole 4.5X.244 Trimmed	8
635017	Diffuser 75-200	9
634011	Diffuser Gasket	10
634024B	Half Union 50mm W/O'Ring (2 required) - Black	11/12
6340241	50mm half union O'Ring	13
6350011	Supatuf Basket MK2	14
6350191	Hair & Lint Pot Body	15
620193	O'Ring BS112 Air Vlv/Drain	16
63402301	Drain Plug 1/4"	17
63400410	Screw Set	18
634025	Suction Nozzle	19
6340030	Pot Foot Washer	20
S1290816	Screw M3x30mm Pan Head	21
6340410	L/Hand Screw M5x18 w/oring	22
82444205	O'Ring BS011	23
6340060	Pot Foot Nut	24
635028	Bracket O'Ring BS259	25
6340222	Pump Foot (Modified)	26
63813921	O'Ring BS029	27
6340163	Flange Protector	28
SB112702	Tube PVC 5mmx65mm long	29
63813922	O'Ring BS029	30
634000	Pot Lid - only	31
63151	Pot Lid O'Ring	32



Suptuf ECO 100 MK2

Product Code: 24110008

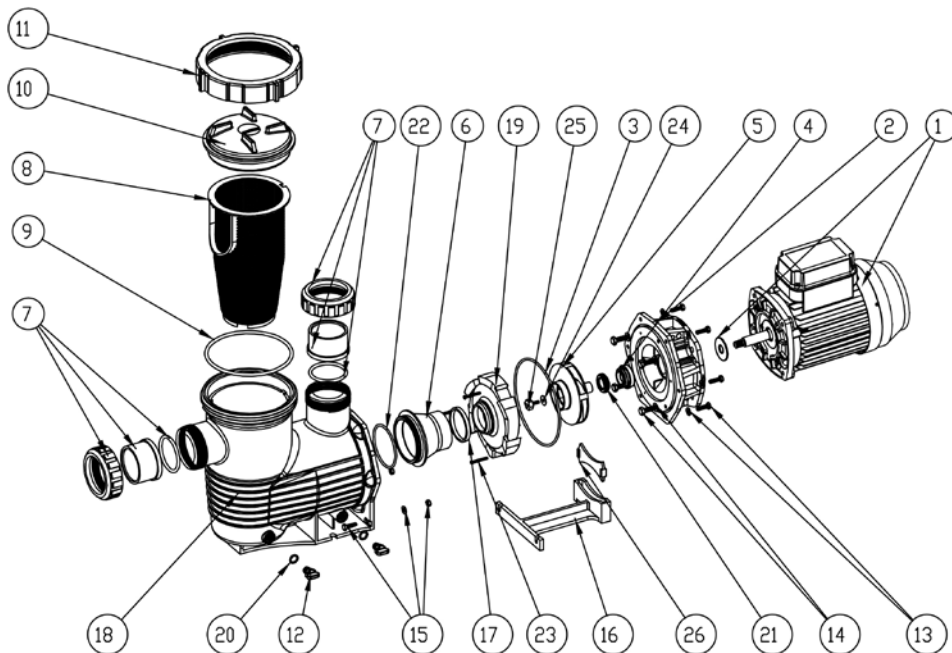
Part Number	Product Description	Diagram Number
63502743	Motor 0.75KW 3 Speed	1
6350215	Bracket W/M3 Insert & Grove	2
6340163	Pumpflange Protector	3
SB112702	Tube PVC 5mmx65mm long	4
63813921	O'Ring BS031	5
S1204611	O Ring 0.125 x 6.5mm OD	6
S12148A	Seal Assy 3/4 Type 7	7
6340162	Mechanical Seal 316SS G-050-00-A1	8
63501100	Impeller 100 W/H HOLE 4.5X.244 Trimmed	9
635017	Diffuser 75-200	10
S1290816	Screw M3x30mm Pan Head	11
6340410	L/Hand Screw M5x18 Moulded	12
634011	Diffuser Gasket	13
6340252	Supatuf Nozzle MK2 0.5-2.0HP	14
6340118	O'Ring BS237	15
63402301	Drain Plug 1/4"	16
620193	O'Ring BS112 Air Vlv/Drain	17
63501928	Supatuf Pump Body MK3	18
6340241	O'Ring 50mm B/U Rile	19
63402465	B/U P/End Slip/Slip 50mm Black	20
6340242B	B/U Locking Nut 50mm Black	21
6350011	Supatuf Basket MK2	22
63151	Pot Lid O'Ring	23
634000	Pot Lid - only	24
82444205	O'Ring BS011	25
63813922	O'Ring BS029	26
6340222	Pump Foot 0.5HP, 0.75HP & 1.0HP	27
63400833	Screw 4GX3/8" Pan Head S/S	28
6350530	M8X30 SS316 S/Screw	29
6302180	T'Tuf Mounting Washer S/S316 5/16x5/8	30
63400410	Screw Set	31
6340030	Pot Foot Washer	32
6340060	Pot Foot Nut	33
W02648BLK	T/L Tail End 50x40mm New Black	N/S



Hydrotuf

Product Codes: 2411005, 2411255, 2411505, 2412005

Part Number	Product Description	Diagram Number
6340274F	MOTOR 1.1KW 71F/B14 EUR2	1
6340275F	Motor 71F 1500WSTD A14 (150, 200)	1
6350216	Hydrotuf bracket	2
635028	Pump body O'Ring	3
634016201	Mechanical Seal P/Ring 6A SS316	4
63501103	Impeller 100	5
63501403	Impeller 125	5
63501203	Impeller 150	5
63501340	Impeller 200 w/hole	5
634079	Suction nozzle	6
634024B	Half Union 50mm W/O'Ring (2 required) - Black	7
634085	H/L pot basket	8
61214	H/L pot O'Ring	9
634082	H/L pot lid	10
61209	H/L pot lock ring	11
63402301	Drain plug 1/4" NPT (2 required)	12
6340030	Washer M6 (6pieces)	13
6340040	Bolt M6 x 20 SS316 (6 pieces)	13
634018371	M8 multi pack bolts & washers 316 S/S	14
	10 x 6302180 M8 washer (4 required)	
	10 x 63401830 M8 x 20 bolt (4 required)	
634004211	M6 multi pack bolts & washers 316 S/S	15
	2 x 6340030 M6 washer (8 required)	
	2 x 6340040 M6 x 20 bolt (8 required)	
	2 x 6340060 M6 nut (2 required)	
6340223	Pump foot	16
634011	Diffuser gasket	17
63501915	Pump face H/L pot body 50mm	18
635017	Diffuser	19
620193	Oring BS112 (1 piece)	20
634016202	Mech Seal Mating Ring	21
6340113	Diffuser O'Ring 3HP only	22
S1290816	Screw M3x30 Truss Head SS304 0.75HP to 2HP (3pieces)	23
63400835	Screw M3x45 pH SS304 2.5HP to 3.5HP	23
82444205	O'Ring BS011	24
6340410	L/Hand Screw M5x18 Moulded	25
6340212	Pump foot insert (125, 150, 200)	26
63402123	Pump foot insert (100)	26
634044	Cowling 72 Series BCB Motor	27
634045	Fan 72 Series BCB Motor	28



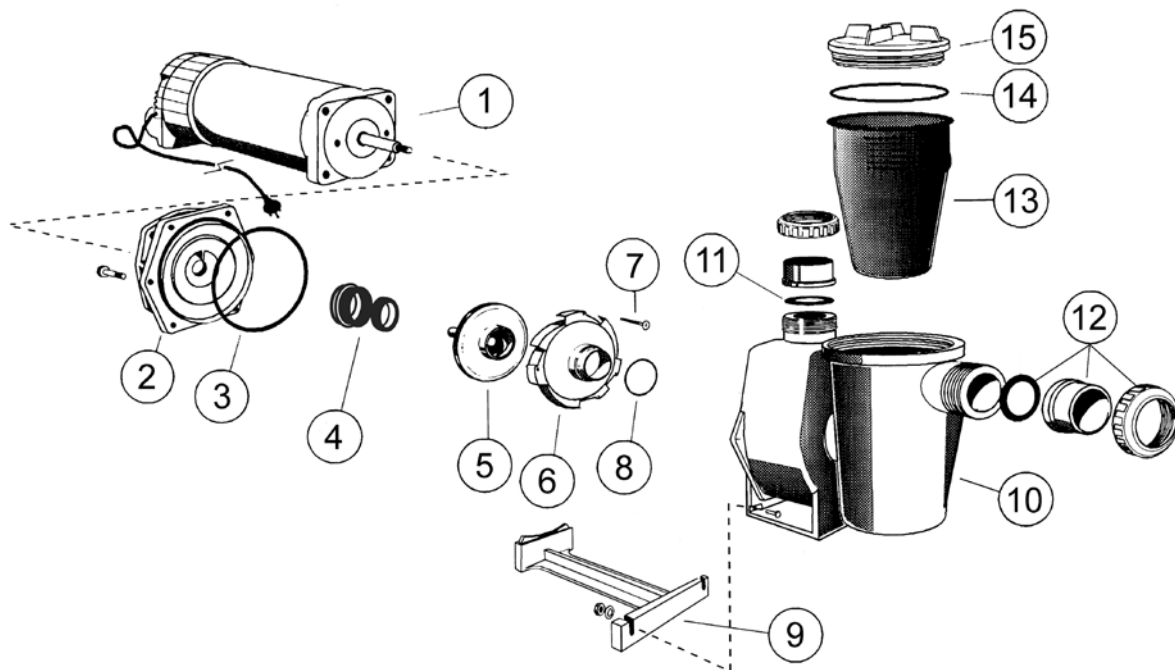
Hydrostorm Pump Also Aquaswim Series 50T & Maxi Grange

Product Codes: 244100, 244125, 244150, 244200

Part Number	Product Description	Diagram Number
634027402	Motor Impower 750W B14 V/Speed W/C Cable	1
634027401	Motor IM Power 750W B14 V/Speed	
63402743	Motor 0.75kW 3 Speed B14 (for H/Storm 100 ECO 3 speed pump)	1
6340274F	Motor 71F 1200WQTD A14 (100, 125) (Pre)	1
6340274E	Motor 71F/1HP/B14FL c/w slinger (Post)	1
634027502	Motor 1.68kW & insert (150-200) (6340275L motor+63402122 insert)	1
6340275F	Motor 71F 1500WSTD A14 (150, 200)	1
6340277EM	Motor 80F/2.5HP/B14Flange	1
634030E	Motor 2.57kW c/w slinger (300, 350)	1
63402903	Motor 1.5kW/3 phase MEPS	1
63403003	Motor 2.2kW/3 phase MEPS	1
631781	Motor slinger (suits 6340293E)	n/s
631782	Motor slinger (suits 634030E, 6340303E)	n/s
63402031	Adaptor plate	2
634017	Pump body O'ring	3
6340162	Mechanical seal (316 S/S)	4
634012	Impeller (Hydrostorm 75) pre 98 also 100E post 1998	5
6340120	Impeller 100 with hole	
63401205	Impeller kit for Hydrostorm 100 with drilled & tapped motor shaft only	
634013	Impeller (Hydrostorm 100) pre 1998 also 125E post 1998	5
63401305	Impeller kit for Hydrostorm 125 with drilled & tapped motor shaft only	
6340130	Impeller (Hydrostorm 125) suit retaining screw type	
63401430	Impeller 150 suit retaining screw type	
6340143	Impeller (Hydrostorm 150E) post 1998	5
634014	Impeller (Hydrostorm 150) pre 1998 also 200E post 1998	5
6340145	Impeller (Hydrostorm 200) suit retaining screw type	5
6340151	Impeller (Hydrostorm 200) pre 1998 also 250E post 1998	5
6340157	Impeller only (Hydrostorm 250) suit retaining screw type	5
63401531	Impeller (Hydrostorm 300) post 1998 no retaining screw	5
63401534	Impeller only (Hydrostorm 300) suit retaining screw type	5
63401533	Impeller only (Hydrostorm 350) suit retaining screw type	5
6340410	L/hand screw M5.18 w/oring	
644772	Fibre washer	n/s
82444205	O'Ring BS011	n/s
634010	Diffuser (Hydrostorm 75-250)	6
6340103	Diffuser (Hydrostorm 300, 350)	6
63400824	Diffuser screw (set of 4) (Pre)	7
63400836	Diffuser Screw SS304 M3X25MM (Hydrostorm 100-250)	7
S 1290816	Diffuser Screw SS304 M3X30 (Hydrostorm 300)	
634011	Diffuser gasket (Hydrostorm 75-250)	8
6340113	Diffuser O'Ring (Hydrostorm 300-350)	8
634022	Pump foot	9
63402122	Pump foot insert (Hydrostorm 100-250)	
634021	Pump foot insert (Hydrostorm 300-350 & all 3 phase)	n/s
6340051	H/L pot body & pump face	10
6340052	H/L pot body & pump face -PP no suction nozzle	10
6340053	H/L pot body & pump face (Hydrostorm 300, 350)	10
6340241	50mm half union O'ring	11
634024B	Half Union 50mm W/O'Ring (2 required) - Black	12
122257BLK	50mm x 40mm half union (suit 1.00, 1.25hp 2002)	12
634001	H/L pot basket	13
63151	H/L pot lid O'ring	14
634000	H/L pot lid	15
634043	Basket flapper	n/s
634023	H/L pot drain plug	n/s
634046	End shield	n/s
6340464	Endshield 90F/B14	n/s
6340470	Large square end shield (71 frame)	n/s
634004211	Hydrostorm M6 multi pack bolts & washers (316 S/S)	n/s
	2 x M6 x 20 bolt	
	2 x M6 washer	
	2 x M6 nut	
634018371	Hydrostorm M8 multi pack bolts & washers (316 S/S)	n/s
	6 x M8 x 20 bolt	
	6 x M8 washer	
634086	Toolbar (suits all models)	n/s

Hydrostorm Pump Also Aquaswim Series 50T & Maxi Grange (Continue)

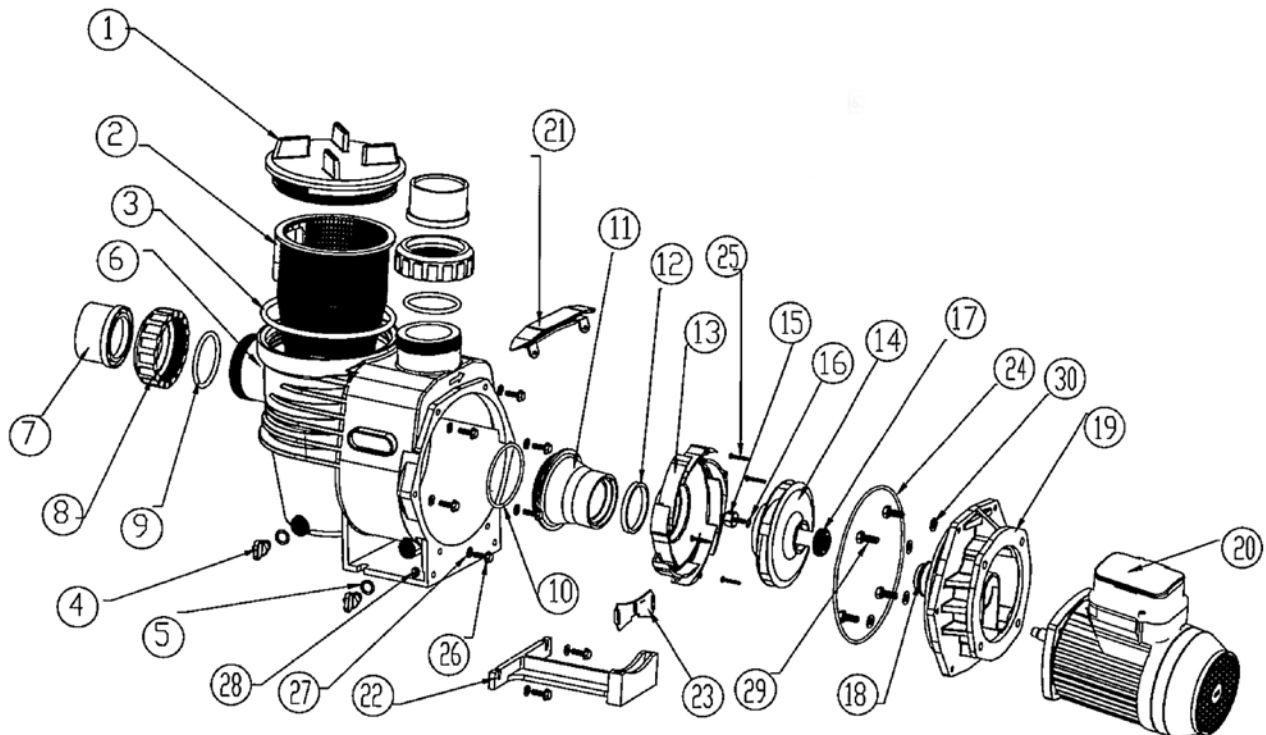
Product Codes: 244100, 244125, 244150, 244200



Hydrostorm ECO 100

Product Code: 2441005

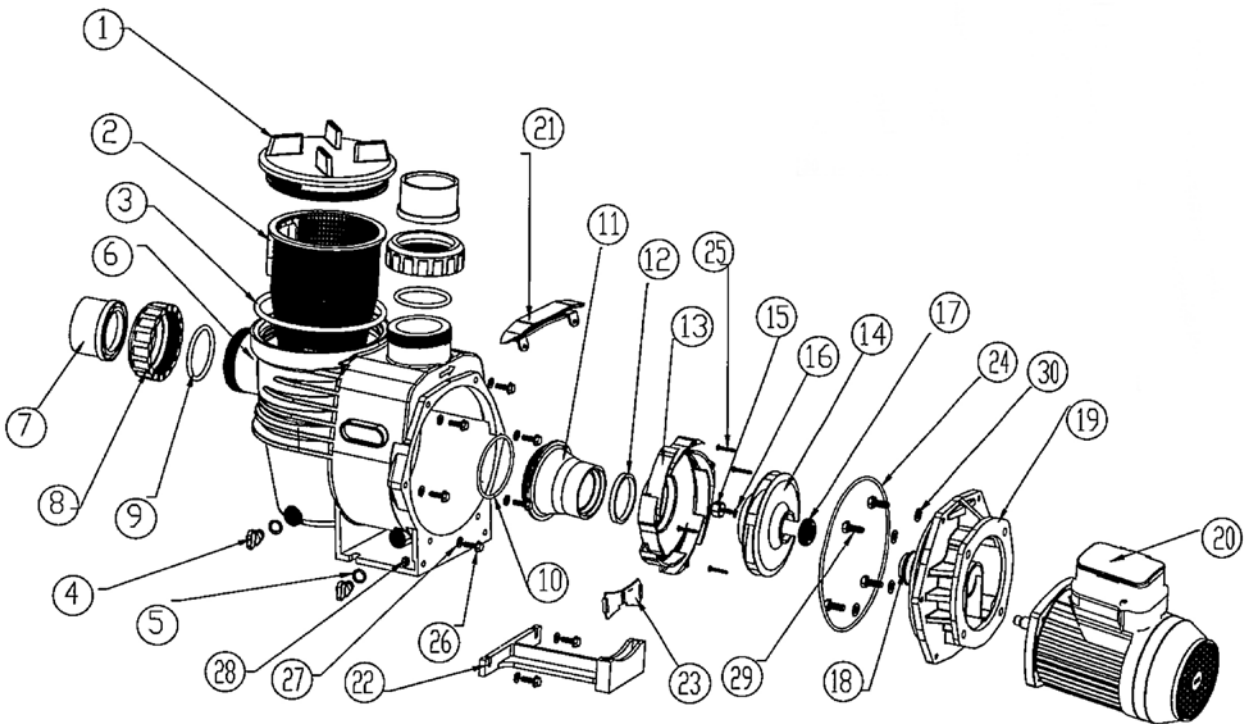
Part Number	Product Description	Diagram Number
634000	H/L pot lid	1
634001	Hydrostorm H/L Pot Basket	2
63151	H/L Pot Lid O'Ring	3
63402301	Drain Plug 1/4" NPT	4
620193	O'Ring BS112 Air R VLV/Drain PL	5
6340052	H/L Pot Body & Pump Face	6
634024B	Half Union 50mm W/O'Ring (2 required) - Black	7/8
6340241	Union O'ring 50mm P2027 - 48 (BS332)	9
6340113	Diffuser O'Ring 3HP only	10
6340790	Suction Nozzle 1 - 2.5HP	11
634011	Diffuser Gasket	12
634010	Diffuser 1HP 1.5HP 2HP	13
6340120	100E Impeller with Hole	14
6340410	L/Hand Screw M5x18 w/oring	15
82444205	O'Ring BS011	16
6340162	Mechanical Seal SS 316	17/18
63402033	Bracket Assy w/Brass Inserts	19
63404426	Touch Pad Clear Cover 3 Speed BCB Mtr	20
63402743	Motor 0.75kW 3 Speed	20
63402030	Handle	21
634022	Pump Foot (Modified)	22
634021	Foot Insert	23
634017	Bracket O'Ring	24
63400836	Screw M3x25mm Truss Head SS304	25
63400410	Foot Bolts M6X25 316SS	26
6340030	H/L Pot Foot Washer	27
6340060	H/L Pot Foot Nut	28
63401830	HEX SET 316	29
6302180	Mounting Washer	30



Hydrostorm ECO-V 100

Product Code: 2441009

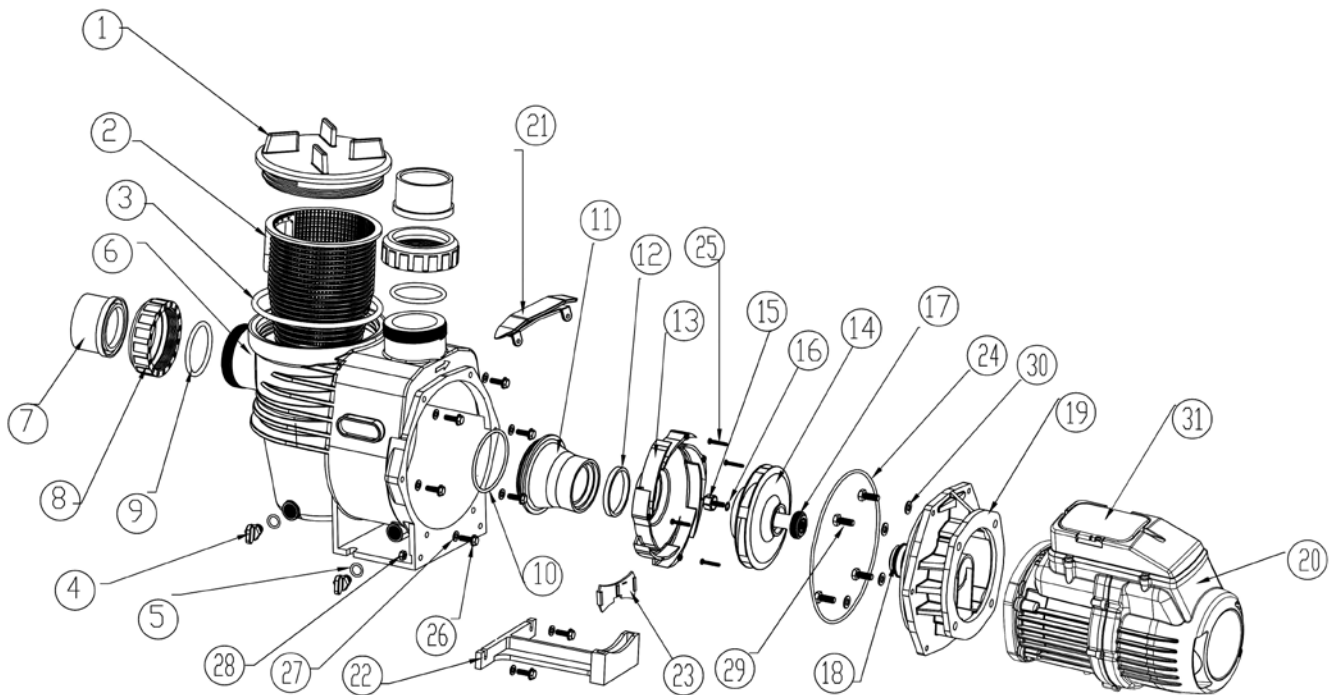
Part Number	Product Description	Diagram Number
634000	H/L pot lid	1
634001	Hydrostorm H/L Pot Basket	2
63151	H/L Pot Lid O'Ring	3
63402301	Drain Plug 1/4" NPT	4
620193	O'Ring BS112 Air R VLV/Drain PL	5
6340052	H/L Pot Body & Pump Face	6
634024B	Half Union 50mm W/O'Ring (2 required) - Black	7/8
6340241	Union O'Ring 50mm P2027 - 48 (BS332)	9
6340113	Diffuser O'Ring 3HP only	10
6340790	Suction Nozzle 1 - 2.5HP	11
634011	Diffuser Gasket	12
634010	Diffuser 1HP 1.5HP 2HP	13
6340120	100E Impeller with Hole	14
6340410	L/Hand Screw M5x18 w/oring	15
82444205	O'Ring BS011	16
6340162	Mechanical Seal SS 316	17/18
63402033	Bracket Assy w/Brass Inserts	19
63402752	Motor iM Power 1100W B14 V/Speed	20
634027406	Motor iM Power 750W B14 V/Speed	20
63402030	Handle	21
6340222	Pump Foot (Modified)	22
634021	Foot Insert	23
634017	Bracket O'Ring	24
63400836	Screw PT SS316 M4X25MM	25
63400410	Foot Bolts M6X25 316SS	26
6340030	H/L Pot Foot Washer	27
6340060	H/L Pot Foot Nut	28
63401830	HEX SET 316	29
6302180	Mounting Washer	30
851807	Cable 5 core 3m w/amp & Allex5 connectores	



Hydrostorm ECO-V 150

Product Code: 2441509

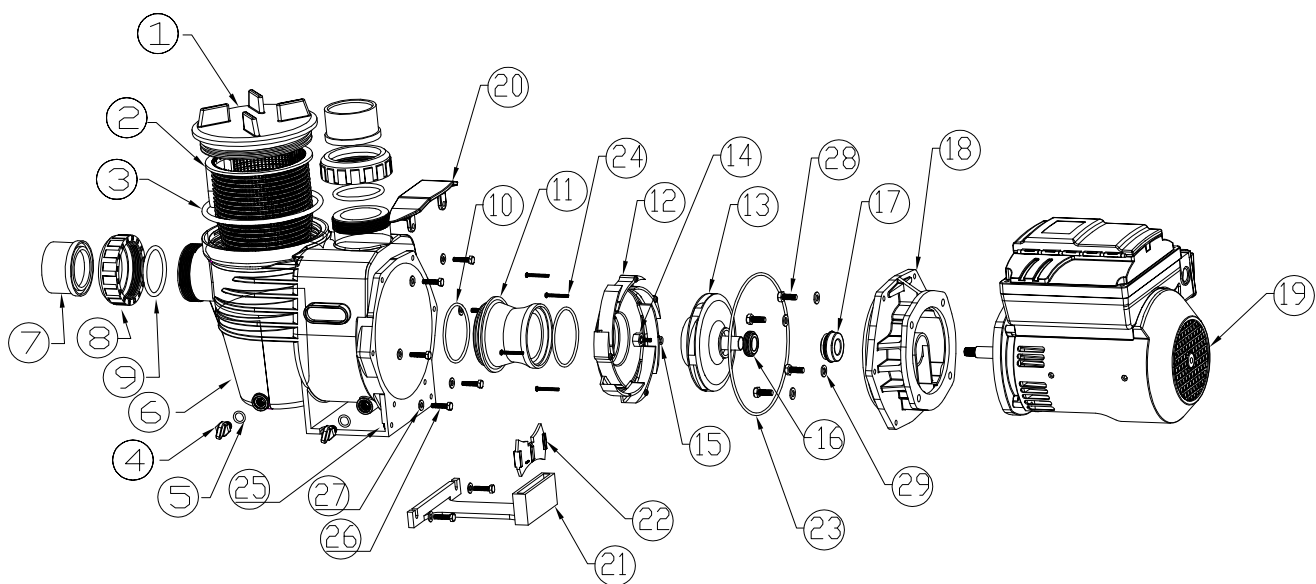
Part Number	Product Description	Diagram Number
634000	H/L Pot Lid	1
634001	Hydrostorm H/L Pot Basket	2
63151	H/L Pot Lid O'Ring	3
63402301	Drain Plug 1/4" NPT	4
620193	O'Ring BS112 Air R VLV/Drain PL	5
6340052	H/L Pot Body & Pump Face	6
634024B	Half Union 50mm W/O'Ring (2 required) - Black	7/8
6340241	Union O'Ring 50mm P2027 - 48 (BS332)	9
6340113	Diffuser O'Ring 3HP Only	10
6340790	Suction Nozzle 1 - 2.5HP	11
634011	Diffuser Gasket	12
634010	Diffuser 1HP 1.5HP 2HP	13
63401430	150 IMP 134.5X4.08 W/T HOLE	14
6340410	L/Hand Screw M5x18 w/oring	15
82444205	O'Ring BS011	16
6340162	Mechanical Seal SS 316	17/18
63402031	Mounting Bracket Assembly	19
63404427	Touch pad clear cover var speed	31
63404426	Touch Pad Clear Cover 3 Speed BCB Mtr	31
63402752	Motor iM Power 1100W B14 V/Speed	20
63402030	Handle	21
6340222	Pump Foot (Modified)	22
634021	Foot Insert	23
634017	Bracket O'Ring	24
63400821	Screw PT SS316 M4X25mm	25
63400410	Foot Bolts M6X25 316SS	26
6340030	H/L Pot Foot Washer	27
6340060	H/L Pot Foot Nut	28
63401830	HEX Set 316	29
6302180	Mounting Washer	30
851807	Cable 5 core 3m w/amp & Allex5 connectores	



Hydrostorm ECO-V 300

Product Code: 2443009

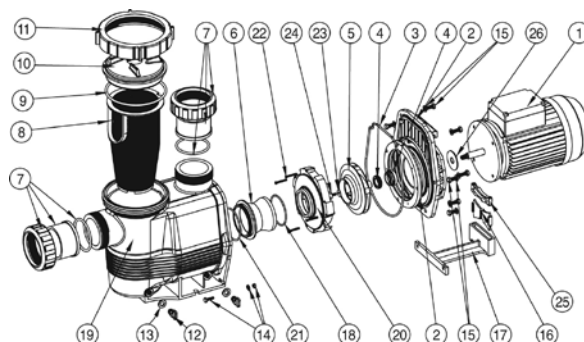
Part Number	Product Description	Diagram Number
63400	T'Tuf Tp Lid	1
634001	T'Tuf H/L Pot Basket	2
63151	T'Tuf H/L Pot Lid O'Ring	3
63402301	Drain Plug 1/4" NPT	4
620193	O'Ring BS112 ID12.37X2.62	5
6340052	Hydrostorm Body M6AUST 2"Port MK2	6
W02081BLK	B/U Plend Slip/Slip 50mm Black	7
W02083BLK	B/U Locking Nut 50mm Black	8
W02280	O'Ring 50mm B/U Nitrile	9
6340113	T'Tuf 3.0HP Diffuser O'Ring	10
6340810	Hyrostorm 300 Suction Nozzle MK2	11
6340103	T'Tuf 3.0HP Diffuser	12
W32965	Hyrostorm 300E IMPELLERSwLHS Machined OD 127mm	13
W22912	L/Hand Screw M5X18 Moulded	14
82444205	O'Ring BS011	15
634016202	Mech Seal Mating Ring 6A Matte S/S316	16
634016201	Mech Seal Primary Seal Ring 6A Matte 316	17
63402033	Hydrostorm Bracket Assy W/Brass Insert	18
63402753	Motor 2200W B14 VSP SEMS803-2 G	19
63402030	Hydrostorm Brcket Handle	20
634022	T'Tuf Pump Foot	21
W32964	T'Tuf Pimp Foot Insert Machined Hydrostorm ECO-V 300	22
634017	T'Tuf Bracket O'Ring	23
S1290816	Screw M3X30 Truss Head S/S304	24
6340060	T'Tuf H&L Pot Foot Nut M6 S/S316	25
63400410	S/Tuf Foot Bolt M6X25 S/S 316	26
6340030	T'Tuf H/L Pot Foot Washer M6* S/S316	27
63401830	H/Storm/Star/Storm+ Hex Set M8X20 S/S316	28
6302180	T'Tuf Mounting Washer S/S316 5/16X5/8	29



Hydrostorm Plus

Product Codes: 2405100, 2405125, 2405150, 2405200, 2405250, 2405300, 24054003

Part Number	Product Description	Diagram Number
6340274F	Motor 71F 1200WQTD A14 (100, 125)	1
634027502	Motor 1.68kW& insert (150-200)(6340275F motor+63402122)	1
6340275F	Motor 71F 1500WSTD A14 (150, 200)	1
6340277EM	Motor 80F/2.5HP/B14FLANGE	1
634030E	Motor 2.57kW c/w slinger (300, 350)	1
63403003	Motor 2.2kW/3 phase MEPS	1
6340681	Bracket assembly	2
634070	Pump body O'ring	3
6340162	Mechanical seal (316 S/S)	4
634012	Impeller (Hydrostorm Plus 100)	5
634013	Impeller (Hydrostorm Plus 125)	5
6340143	Impeller (Hydrostorm Plus 150)	5
6340145	Impeller (Hydrostorm Plus 200)	5
6340157	Impeller (Hydrostorm Plus 250)	5
63401534	Impeller (Hydrostorm Plus 300)	5
63401533	Impeller (Hydrostorm Plus 350)	5
634079	Suction nozzle (100 - 250)	6
634081	Suction nozzle (300 - 400)	6
634024B	Half Union 50mm W/O'Ring (2 required) - Black	7
6340241	50mm half union O'ring	7
63406550BLK	65/50mm half union (suit 6340783)	7
63406554	65/50mm half union O'ring	7
644492	Half union 65/80mm	7
12780	Coupling 80mm	n/s
634085	H/L pot basket	8
61214	H/L pot O'ring	9
634082	H/L pot lid	10
61209	H/L pot lock ring	11
634023	Drain plug	12
S0808921	Drain plug washer	13
634004211	Hydrostorm M6 multi pack bolts & washers (316 S/S)	14
	2 x M6 x 20 bolt	
	2 x M6 washer	
	2 x M6 nut	
63401830	M8 x 20 bolt*	
6302180	M8 washer*	
634021	Pump foot insert (100-350)	16
634073	Pump foot insert (400 only)	16
634022	Pump foot (100-350)	17
634072	Pump foot (400 only)	17
634011	Diffuser gasket (100-250)	18
6340113	Diffuser gasket (300-400)	18
6340761	Pump face H/L pot body 50mm (Hydrostorm Plus 100-250)	19
6340783	Pump face H/L pot body 65mm (Hydrostorm Plus 300-400)	19
634010	Diffuser (Hydrostorm Plus 100-250)	20
6340103	Diffuser (Hydrostorm Plus 300-400)	20
6340113	Suction nozzle O'ring	21
63400824	Diffuser screw (set of 4) (100-250)	22
63400834	Diffuser screw (set of 4) (300-400)	22
644772	Fibre washer (100-350)	23
6340412	O'ring BS113 (400 only)	23
6340410	L/Hand Screw M5x18 w/oring	24
6340411	Nut M10 Overmoulded	24
631782	Motor slinger - suits 634030E, 6340303E, 63404031E	26



FASCO Single Speed Motors

Pump Motor (Product Code)	Pump Motor Product Description	Pump & Motor Model	Motor Fan (Product Code)	Motor Cowling (Product Code)	Motor Fan Clip (Product Code)
6307245	MOTOR 63FRAMES 1170W BCB	Aquamite 033-100 Supastream 050 -125 Aquastream Solar MK2 050 - 125	63404402	63404401	634047
63072451 Note: 63072451 can replace 6307245 but not in reverse due to IP ratings.	MOTOR 63FRAME 1170W IP55	Aquamite 033-100 Aquastream Solar MK2 050 - 125	63404402	63404401	634047
6340274F	MTR 71FRAMES 1200W 7252 QTD-A14 8/99	Hydrotuf 075 - 125 Hydrostorm 100 -125 Hydrostorm Plus 075 - 125 Turboflo 100 - 125	634045	634044	N/A
6340275F	MOTOR 71FRAMES 1500W 7252 STD-A14 8/99	Hydrotuf 150 -200 Hydrostorm 150 -200 Hydrostorm Plus 150 - 200 Turboflo 150 -200 Pressure Booster 150	634045	634044	N/A
6340276F	MOTOR 71FRAMES 2100W 7252 XTD-A12 8/99	Hydrostorm 250 Hydrostorm Plus 250	634045	634044	N/A
635034F	MOTOR 71FRAMES 1500W 7252 STE-A15 8/99	Supatuf 100-125 Supatuf MK2 100	634045	634044	N/A
635035F	MOTOR 71FRAMES 1500W 7252 STE-A15 8/99	Supastream 150 Aquastream Solar MK2 150 Supatuf MK2 150 - 200	634045	634044	N/A

FASCO Variable Speed Motors

Pump Motor (Product Code)	Pump Motor Product Description	Pump & Motor Model	Motor Fan (Product Code)	Motor Cowling (Product Code)	Motor Fan Clip (Product Code)	Motor Control Box TouchPad Clear Cover (Product Code) (With Spring & Pin)	Motor Control Box Top PCB Board (Product Code)
63502743	MOTOR 0.75KW 3 SPEED BLDC NEMA FL BCB	Supatuf ECO 3 Speed Mk1 & Mk2	63404500	63404567	63404439	63404426	85184
63402743	MOTOR 0.75KW 3 SPEED BLDC	Hydrostorm ECO 3 Speed	63404500	63404567	63404439	63404426	85184
634027430	MOTOR 0.75KW 3SPEED BLDC NOVA ECO	Baker Hydro Nova ECO 3 Speed	63404500	63404567	63404439	63404426	85184
634027431	MOTOR 0.75KW 3SPEED BLDC NOVA ECO	Lacron ECO 3 Speed	63404500	63404567	63404439	63404426	85184
6350271	MOTOR IM POWER 750W NEMA V/ SPEED	Supatuf ECO-V 100 Mk1 & Mk2	63404500	63404567	63404439	63404427	85185
634027401	MOTOR IM POWER 750W B14 V/SPEED	Hydrostorm ECO-V 100 Baker Hydro Nova ECO-V 100	63404500	63404567	63404439	63404427	85185
634027404	MOTOR IM POWER 750W B14 V/SPD LACRONITE	Lacron ECO-V 100	63404500	63404567	63404439	63404427	85185
6350290	MOTOR IM POWER 1100W NEMA V/ SPEED	Supatuf ECO-V 150 Mk1 & Mk2	63404566	63404568	63404440	63404427	85186
63402752	MOTOR IM POWER 1100W B14 V/SPEED	Hydrostorm ECO-V 150	63404566	63404568	63404440	63404427	85186
634027522	MOTOR IM POWER 1100W B14 V/SPEED LACRON	Lacron ECO-V 150	63404566	63404568	63404440	63404427	85186

WFE 1 Variable Speed Motors

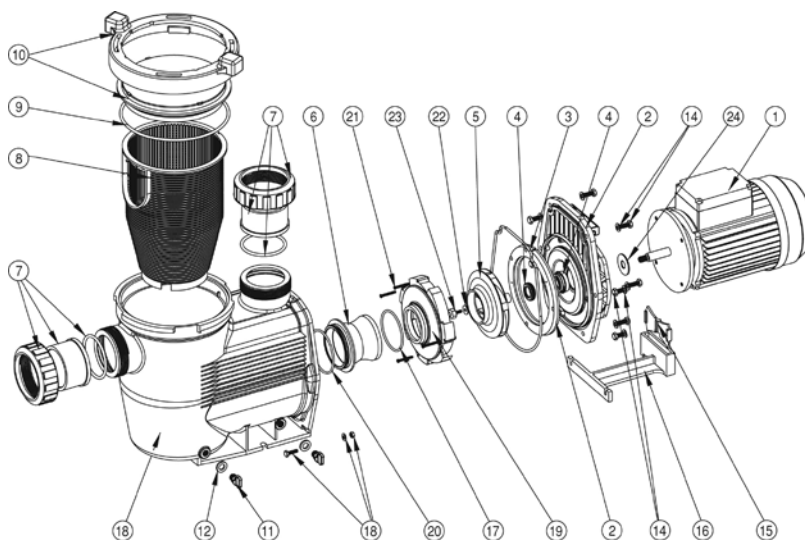
Pump Motor (Product Code)	Pump Motor Product Description	Pump & Motor Model	Motor Fan (Product Code)	Motor Cowling (Product Code)	Motor Fan Clip (Product Code)	Motor Control Box TouchPad Clear Cover (With Spring & Pin)	Motor Control Box Top PCB Board (Product Code)
6350276	MOTOR 750W NEMA V/SP QRBO004 PNR	Supatuf ECO-V 100 Mk1 & Mk2	63404564	No Fan Clip ECO-V Motor	63404437	634044270	85181
63502900	MTR 1100W NEMA V/SPD PNR PMB3F007SP-WTC	Supatuf ECO-V 150 Mk1 & Mk2	63404565	No Fan Clip ECO-V Motor	63404438	634044270	85181
634027406	MOTOR IM POWER 750W B14 V/SP PNR	Hydrostorm ECO-V 100 Baker Hydro ECO-V 100	63404564	No Fan Clip ECO-V Motor	63404437	634044270	85181
634027407	MTR IM.P 750W B14 V/SPD PNR LACRON	Lacron ECO-V 100	63404564	No Fan Clip ECO-V Motor	63404437	634044270	85181
634027520	MTR 1100W B14 V/SPD PNR	Hydrostorm ECO-V 150	63404565	No Fan Clip ECO-V Motor	63404438	634044270	85181
634027524	MTR 1100W B14 V/SPD PNR LACRON	Lacron ECO-V 150	63404565	No Fan Clip ECO-V Motor	63404438	634044270	85181

WFE 1 Single Speed Motors

Pump Motor (Product Code)	Pump Motor Product Description	Pump & Motor Model	Motor Fan (Product Code)	Motor Fan Clip (Product Code)	Fan Clip & Fan (Product Code)	Motor Cowling (Product Code)	Capacitor (Product Code) (Manufactures Description)	Capacitor Box Cover (Product Code)
6350255	MOTOR 550W NEMA QR3028 PNR	Aquamite 033 - 100 Aquastream Solar MK2 050 & 075 Supastream 050 & 075 Supatuf MK2 050 & 075	63404570	63404561	63404563	63404435	634044704 (25Mfd/450V - Huizhong)	63404496
6350275	MOTOR 750W NEMA QR2692 PNR	Aquamite 125 Aquastream Solar MK2 100 Supastream 100 & 125 Supatuf MK2 100	63404570	63404561	63404563	63404435	634044704 (25Mfd/450V - Huizhong)	63404496
6350295	MOTOR 1100W NEMA QR2694 PNR	Aquastream 150 Supastream 150 Supatuf MK2 150	63404560	63404561	63404562	63404436	634044704 (25Mfd/450V - Huizhong)	63404496
6350296	MOTOR 1500W NEMA PM3200056 PNR	Supatuf MK2 200 & 250	63404560	63404561	63404562	63404436	63404495 (35Mdf/450V)	63404496
6350297	MOTOR 2200W 1PH NEMA PNR	Supatuf MK2 300	63404560	63404561	63404562	63404436	63404495 (25Mdf/450V)	63404496
63402736	MOTOR 750W B14 PM3100220 PNR	Hydrostorm 100 & 125 Hydrostorm Plus 075 -125 Hydrotuf 075 - 125 Lacron 050 -100 Turboflo 100	63404570	63404561	63404563	63404435	634044704 (25Mfd/450V - Huizhong)	63404496
63402734	MOTOR 1100W B14 PM3150084 "WFE1"	Pressure Booster 150 Hydrotuf 150 & 200 Hydrostorm 150 & 200 Hydrostorm Plus 150 & 200 Hydrostar MK3 200 Hydrotuf 150 & 200 Lacron 125 & 150 Turboflo 125, 150 & 200 Hydrostar MK3 200	63404560	63404561	63404562	63404436	634044704 (25Mfd/450V - Huizhong)	63404496

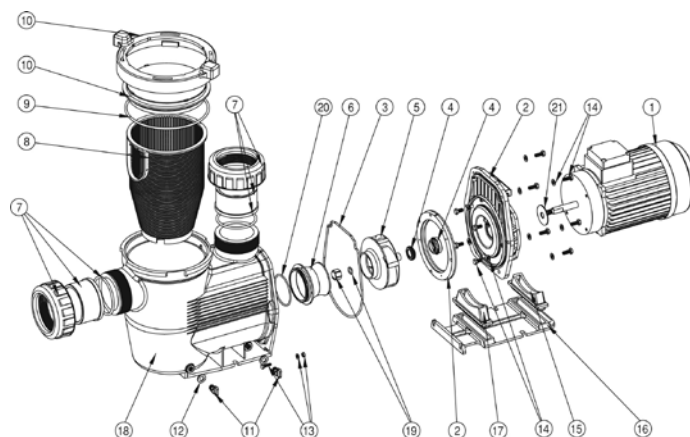
Hydrostar 200 to 350

Part Number	Product Description	Diagram Number
634027502	Motor 1.68kW& insert (150-200)(6340275F motor+63402122)	1
6340277EM	Motor 80F/2.5HP/B14Flange	1
634030E	Motor 2.57kW c/w slinger (300)	1
63402903	Motor 1.5kW/3 phase MEPS	1
63403032	Motor 2.2KW/3PH MEPS2	1
63403033	Motor 3.0HP 3PH 90F B14 EUR IES	1
63404416	Fan Cowl 1.5kW 3 phase 90F	n/s
63404417	Fan Cowl 2.2kW 3 phase 90F	n/s
6340464	Endshield 90F/B14 (for motor 634030E)	n/s
6340681	Bracket assembly	2
634070	Pump body O'ring	3
6340162	Mechanical seal (316 S/S)	4
6340145	Impeller (Hydrostar 200)	5
6340157	Impeller (Hydrostar 250)	5
63401534	Impeller (Hydrostar 300)	5
634079	Suction nozzle (200 - 250)	6
634081	Suction nozzle (300)	6
63406550BLK	65/50mm half union and O'ring	7
63406554	65/50mm half union O'ring	7
634063	H/L pot basket	8
634075	H/L pot lid O'ring	9
6340661	Quarter turn lid and lock ring	10
634023	Drain plug	11
S0808921	Drain plug washer	12
634004211	M6 multi pack bolts & washers (316 S/S)	13
	2 x M6 x 20 bolt	
	2 x M6 washer	
	2 x M6 nut	
63401830	M8 x 20 bolt *	14
6302180	M8 washer*	14
63402122	Pump foot insert (Hydrostorm 200-250)	15
634022	Pump foot	16
634011	Diffuser gasket (suits 200-250)	17
6340113	Diffuser Nozzle O'ring	17
6340491	Pump face H/L pot body (Hydrostar 200, 250)	18
6340493	Pump face H/L pot body (Hydrostar 300)	18
634010	Diffuser (Hydrostar 200, 250)	19
6340103	Diffuser (Hydrostar 300)	19
6340113	Suction nozzle O'ring	20
63400824	Diffuser screw (set of 4)	21
644772	Fibre washer	22
6340410	L/Hand Screw M5x18 w/oring	23
631781	Motor slinger - suits 6340293E	24
631782	Motor slinger - suits 634030E, 6340303E	24
634086	Toolbar (suits all pumps)	n/s



Hydrostar Commercial MK2 (MK1 - Pre 03/2004)

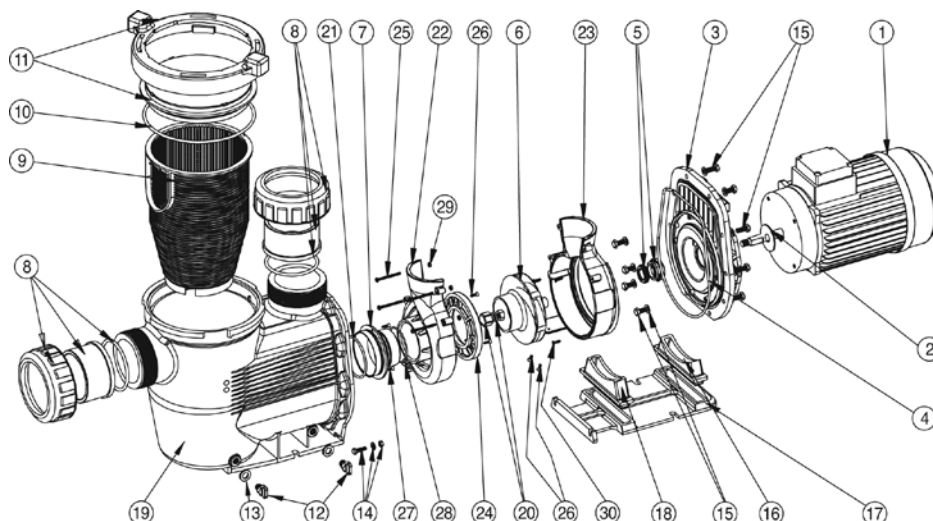
Part Number	Product Description	Diagram Number
634040206	Motor 4.0kW - 3 phase MEPS (400, 500 MK2)	1&21
634040216	Motor 5.5kW - 3 phase MEPS (600, 700 MK2)	1&21
634070	Pump body O'ring	3
6340162	Mechanical seal (316 S/S)	4
634055	Impeller (Hydrostar 400)	5
634056	Impeller (Hydrostar 500)	5
634057	Impeller (Hydrostar 600)	5
634058	Impeller (Hydrostar 700)	5
6340550	Impeller (Hydrostar 400 MK2) to suit keyshaft	5
6340560	Impeller (Hydrostar 500 MK2) to suit keyshaft	5
6340570	Impeller (Hydrostar 600 MK2) to suit keyshaft	5
6340580	Impeller (Hydrostar 700 MK2) to suit keyshaft	5
6340803	80mm half union (black) and O'ring	7
6302550	80mm half union O'ring	7
634063	H/L pot basket (3HP and below)	8
634075	H/L pot lid O'ring	9
634061	Diffuser (pre 10/02)	n/s
6340651	H/L pot quarter turn lid and lock ring	10
63401830	M8 x 20 Bolt * (10 per pump)	
6302180	M8 Washer* (10 per pump)	
6340512	Pump body assembly - includes 634087 (for models w/o diffuser)	18
	Consisting of:-	
	Hydrostar Pump Body 3" port	
	Suction nozzle (for use w/o diffuser)	6
	Diffuser Nozzle O'ring	n/s
	Drain Plug 1/4" BSP (2 required)	
	O'ring BS 112 (2 required)	
6340681	Bracket assembly	2
	Consisting of:-	
	Hydrostar bracket	
	Diffuser ring	
6340511	Pump face H/L pot body - includes 634064 (for models with diffuser)	18
6340411	Nut M10 overmoulded (for MK2 motors)	19
6340412	O'Ring (for MK2 motors)	19
63400854	Diffuser screw (set of 4)	n/s
634064	Suction nozzle (for use with diffuser)	6
6340030	6340030 (M6 washer) 2 required	
6340040	6340040 (M6 x 20 bolt) 2 required	
634072	Pump foot (all models)	16
634073	Pump foot insert (Hydrostar 400, 500 and 600)	17
6340741	Pump foot insert (Hydrostar 700)	17
63402302	Drain plug	11
S0808921	Drain plug washer	12
634059	Motor rotation indicator	n/s
644772	Fibre washer (Hydrostar MK1)	n/s
6340410	L/Hand Screw M5x18 w/oring	23
6340113	Suction nozzle O'ring	20
631782	Motor slinger	21
634086	Toolbar (suits all pumps)	n/s



Hydrostar Commercial MK3 (Post 08/2006)

Product Codes: 240440033, 240450033, 240460033, 240470033

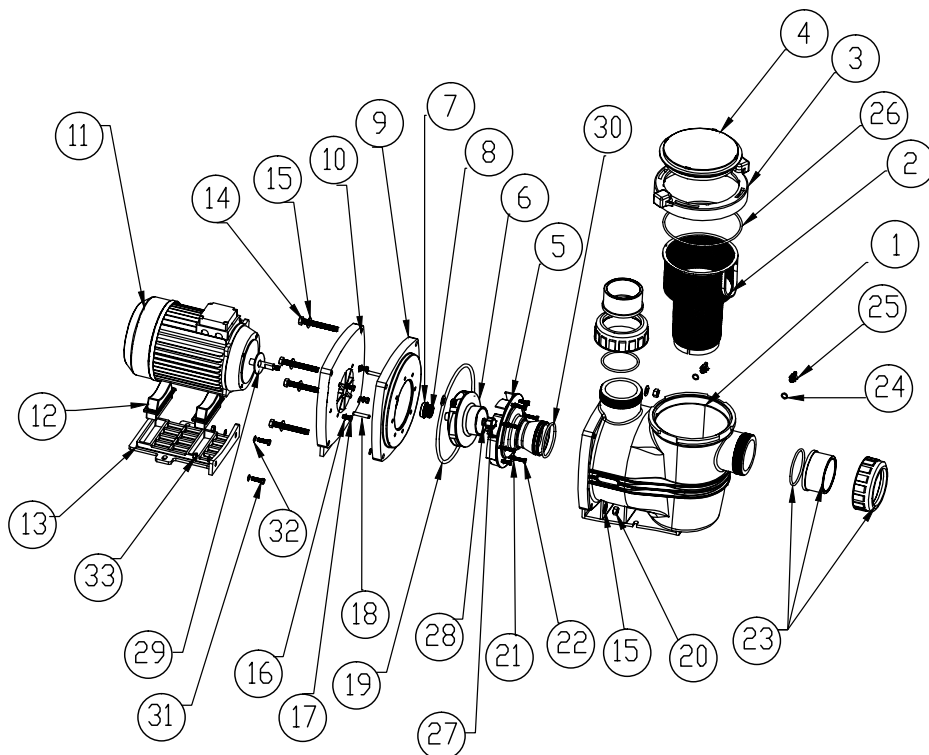
Part Number	Product Description	Diagram Number
63404031EM	Motor 4&5HP 3 Phase 100F IP55	1
63405531EM	Motor 6HP 3 Phase 100F IP55	1
634070031EM	Motor 7HP 3 Phase 112F IP55	1
631782	Motor Slinger 52 x 16 x 2mm	
6340682	Hydrostar Bracket MK2	3
6340700	Bracket O'ring MK2	4
6340162	Mechanical Seal 316SS	5
6340550	Impeller (Hydrostar 400 MK2) to suit keyshaft	6
6340560	Impeller (Hydrostar 500 MK2) to suit keyshaft	6
6340570	Impeller (Hydrostar 600 MK2) to suit keyshaft	6
6340580	Impeller (Hydrostar 700 MK2) to suit keyshaft	6
6340803	80mm Half Union (Black) c/w o'ring	8
6302550	O'ring 80mm Half Union	8
6340651	Lid & Lock Ring	11
63401830	Screw Hex Set M8x20 SS316 (14 per pump)	15
6302180	Washer SS316 5/16X5/8X18G (14 per pump)	15
634072	Pump foot (400 - 700)	17
634073	Pump foot insert (Hydrostar 400, 500 and 600)	16/18
6340741	Pump foot insert (Hydrostar 700)	18/18
63405110	Hydrostar Pump Body Assembly 3" MK3	19
	Consisting of :-	
6340514	1 x Hydrostar Body 3" Port MK3	
6340543	1 x Hydrostar Volute Nozzle	7
663393	Suction Nozzle O'ring BS152	21
6340115	1 x O'ring BS145	28
W12276	Screw 4G x 1/2" SS316	27
63402301	Drain Plug 1/4" NPT (.2 required)	12
620193	O'ring BS112 (2 required)	13
6340630	1 x Hydrostar Commercial Strainer Basket	9
634075	1 x O'ring G200	10
6340411	Nut M10 Overmoulded	20
6340412	O'ring BS113	20
6340540	Volute Front	22
6340541	Volute Rear	23
6340542	Volute Insert (400, 500)	24
6340824	Screw M4x35mm P/Head SS304	25
6340828	Screw 8GX5/8" Countersunk SS304 (5 required)	26
6340826	Nut M4 Nyloc Hex SS304 (4 required)	29
6340827	Screw 8GX13MM Countersunk SS304 (3 required)	30
6340040	Bolt M6x20 SS316	14
6340030	Washer M6 SS316	14
6340060	Hex Nut M6 SS316	14



Hydrostar Commercial MK4

Product Codes: 2404400310, 2404550310, 2404700310

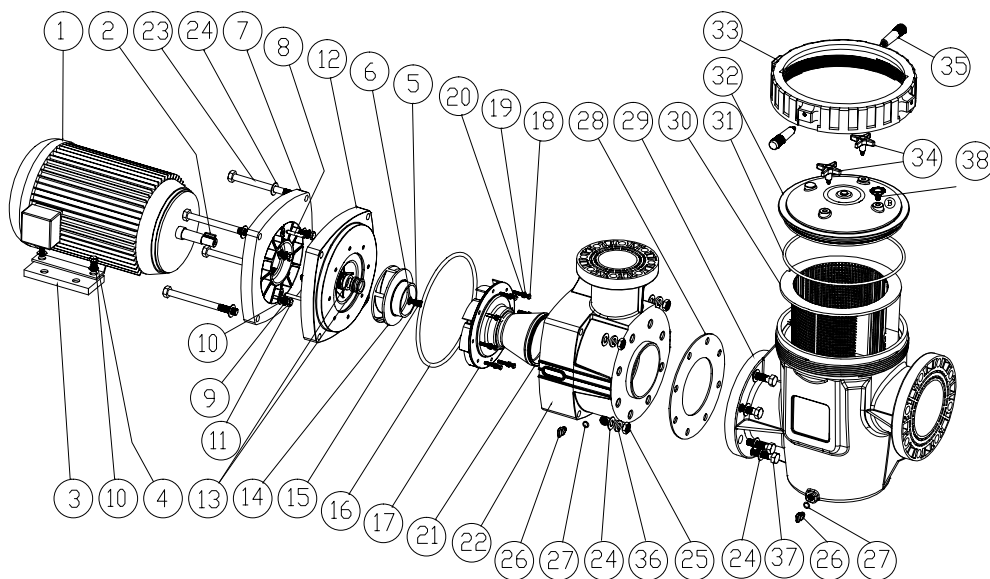
Part Number	Product Description	Diagram Number
6340516	Pump Housing 3"Port H/Star MK4	1
6340630	Basket Pump H/Star Comm & S/Steel Pump	2
634065	Hydrostar Lock Ring	3
634067	Hydrostar H&L Pot Lid	4
6346020	Diffuser W/Brass Ring H/Star MK4	5
6340550	Hydrostar Impeller 4HP Key Way Shaft	6
6340570	Hydrostar Impeller 6HP	6
6340580	Hydrostar Impeller 7HP	6
634016201	Mech Seal Primary Seal Ring 6A Matte 316	7
634016202	Mech Seal Mating Ring 6A Matte S/S 316	8
6346010	Pump Seal Plate W/In H/Star MK4	9
6346000	Motor Adaptor Plate H/Star MK4	10
634040313	Motor 4&5HP 3PH 100F G3 EUR1 IE3	11
634055313	Motor 6.0HP 3PH 112F H3 EUR1 IE3	11
6340700313	Motor 7.0HP 3PH 112F I3 EUR IE3	11
6340740	Pump Foot Insert 550-700 H/Star MK4	12
6340744	Pump Foot Insert 400 H/Star MK4	12
6340720	Pump Foot 400-700 H/Star MK4	13
63409201	Bolt M12x100mm Hex HD SS316 Full Thread	14
W32467	Washer Plain 1/2" UNC SS316	15
6302180	T'Tuf Mounting Washer S/S316 5/16x5/8	16
6350545	Bolt M8 x 45mm Hex HD SS316	17
6346500	Dowell Pin 8x47.5mm	18
634607	O'Ring 258mm ID x 8mm	19
63409391	Nut Hex STD M12 Brass NI Plated	20
6340030	T'Tuf H/L Pot Foot Washer M6* S/S316	21
6346520	Bolt Hex HD 1/4" UNC x 1 3/4"SS316	22
634083	Half Union 80mm w/o'ring - Black	23
620193	O'Ring BS112 ID12.37x2.62	24
63402301	Drain Plug 1/4" NPT	25
634075	Hydrostar Lid O'Ring G200 NBR 70SH	26
6340411	Nut Moulded M10 H/Star IMP	27
6340412	O'Ring Nut Moulded BS113 ID13.95x2.62	28
631782	Motor Slinger 52x16x2mmth	29
634608	O'Ring BS346	30
63401840	Screw M8x30 SS316 Allen Key Head	31
6302180	T'Tuf Mounting Washer S/S316 5/16x5/8	32
W32054	Hexagon Nut SS316 M8x1.25	33



Hydrostar Plus

Product Codes: 2460750, 2461000, 24607504, 24610004, 24612504

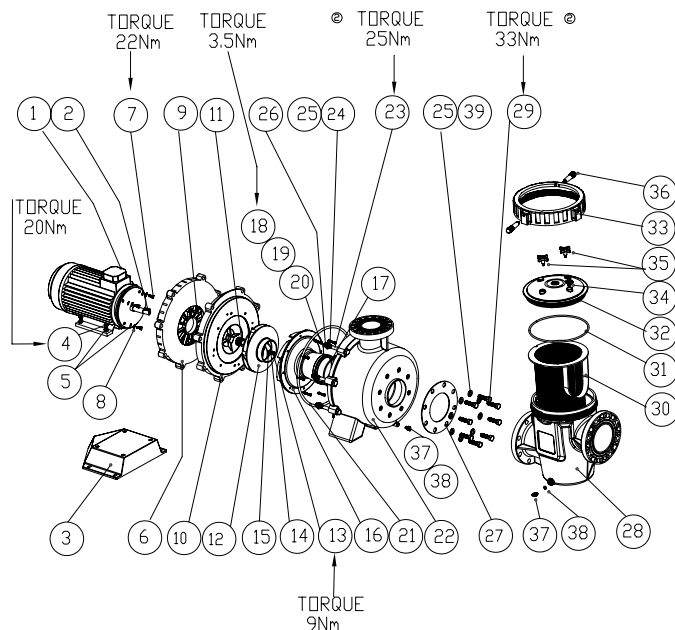
Part Number	Product Description	Diagram Number
6340402203	Motor 7.5KW 3PH Baker Hydro EUR1 IE3	1
6340402102	Motor 5.5KW 3PH Baker Hydro EUR1 IE2	1
6340402503	Motor 9.5kW 3PH Mbaker Hydro EUR1 IE3	1
6340402305	Motor 11kW MEC 132F Euro01 IE3	1
63450660	Shaft Key 3/16"X 3/16" SS	2
6340742	Motor Support Spacer	3
6340743	Motor Support Spacer 132F 12.5HP & 15HP	3
6340920	Bolt M12X25 Hex HD SS304	4
6345035	Spring Washer 3/8" S/Steel	5
6302181	M10 Washer SS	6
634600	Motor Adaptor Plate	7
6340650	Dowel Pin 5/16"X54mm SS316	8
6340936	Plain Washer	10
634601	Pump Seal Plate w/Inserts	12
63401629	Mech Seal Type 6 1" DIA	13
63401624	Mechanical Seal Type 2100 1" Diameter Marine Grade	13
634610	Impeller 10HP w/Insert	14
634611	Impeller 7.5 HP w/Insert	14
634609	Impeller 12.5HP W/Insert	14
6346130	Impeller 11.0kW W/Insert	14
634651	Screw S/Head 3/8"-UNCX1"SS304	15
634605	O'Ring 286 ID X 9.5MM	16
634602	Diffuser c/w Nozelle	17
634603	Diffuser c/w nozzle 12.5 8h	17
634652	Bolt Hex HD 1/4"-UNC X 1 3/4"SS304	18
W32587	Bolt Hex 1/4" -UNC X 2 1/4" SS316 (15HP)	18
645461	Salty/SS 1/4" Spring Washer	19
6340030	Washer	20
634606	O'Ring BS354	21
634604	Pump Housing H/Star + 10HP 4" JIS Flange	22
63409380	Bolt Hex 5/8"-UNC X 8" SS304	23
63409370	Washer 5/8"X 1 1/4"X 14G SS304	24
63409390	Nut Hex STD 5/8"-UNC Brass	25
63402302	Drain Plug 1/4" BSP	26
620193	O'Ring BS112 Air R Vlv/Drain	27
63453064	Flange Gasket 6" Bore	28
63450580	PP Strainer Housing 6"FL Port B/Hydro	29
63450520	Strainer Basket Polypropylene Mk2	30
62027	O'Ring Opal Lid	31
63450500	Strainer Lid PC Clear	32
620232	Filter Lock Ring 12"	33
AXFI168	Opal Cartridge Handle	34
6202321	Handle 12" & 16" Lockring	35
63409206	Bolt Hex Head 5/8"UNC X 57.1MM SS304	37
620221	Air Relief Valve	38



Hydrostar Plus 1450

Product Codes: 2470500, 2470750, 2471000

Part Number	Product Description	Diagram Number
6340402206	Motor 7.5KW 4 Pole 230/400V 50/60HZ B35 IP55 IE3	1
6340402106	Motor 5.5kW 4 Pole 230/400V 50/60HZ B35 IP55 IE3	1
6340402006	Motor 3.7kW 4 Pole 230/400V 50/60HZ B35 IP55 IE3	1
63450660	Key 3/16" X 3/16" X 30mm SS316	2
6340745	Motor Support Hydrostar Plus 1450	3
W32570	Bolt Hex M 12x25mm SS316	4
W32467	Washer Plain 1/2" UNC SS316	5
6346001	Motor Adaptor Plate Hydrostar Plus 1450	6
W32575	Bolt Hex 1/2" UNC x 1 1/4" SS316	7
W32573	Spring Washer 1/2" SS316	8
6340650	Dowel Pin 5/16"X54mm SS316	9
6346011	Pump Seal Plate w/Inserts Hydrostar Plus 1450	10
63401629	Mechanical Seal Assy 1" Type 6 M30070	11
6346100	Impeller 10.0HP w/Insert Hydrstar Plus 1450	12
6346110	Impeller 7.5HP w/Insert Hydrostar Plus 1450	12
6346140	Impeller 5.0HP w/Insert Hydrostar Plus 1450	12
W32576	Screw S/Head 3/8"-UNCX1"SS316	13
W32571	Spring Washer 3/8" SS316	14
W32572	Washer Flat M10 SS316	15
6346023	Diffuser 10.0HP w/Brass Ring Hydrostar Plus 1450	16
612080	O'ring BS359	17
W32577	Bolt Hex 1/4" UNC X 1 3/4" SS316	18
W32067	Spring Lockwasher 1/4 IN ID - 1/2 IN OD SS316	19
6340030	T'TUF H/L Pot Foot Washer M6* S/S316	20
6346080	O'Ring ID413 x CS11MM	21
6340518	Pump Housing w/Inserts 4" JIS Hydrostar Plus 1450	22
6340517	Pump Housing w/Inserts 4" ANSI Hydrostar Plus 1450	22
63409382	Bolt Hex 5/6"-THRD 45MM SS316	23
W22623	Washer Split Lock 5/8" SS316	24
W32472	Washer Plain 5/8" UNC SS316	25
63409390	Nut Hex STD 5/8"-UNC Brass	26
63409390	Nut Hex STD 5/8"-UNC Brass	26
63453064	Flange Gasket 6" Bore	27
63450580	PP Strainer Housing 6"FL Port B/Hydro	28
W32902	Bolt HEX 5/8" UNC X 2.5" SS316	29
63450520	Strainer Basket Polypropylene Mk2	30
62027	O'Ring Opal Lid	31
63450500	Strainer Lid PC Clear	32
620232	Filter Lock Ring 12"	33
620221	Air Relief Valve	34
W02629	Opal Cartridge Handle (AXFI168)	35
6202321	Handle 12" & 16" Lockring	36
63402302	Drain Plug 1/4" BSP	37
620193	O'Ring BS112 Air R Vlv/Drain	38
W12773	Spring Washer 5/8	39

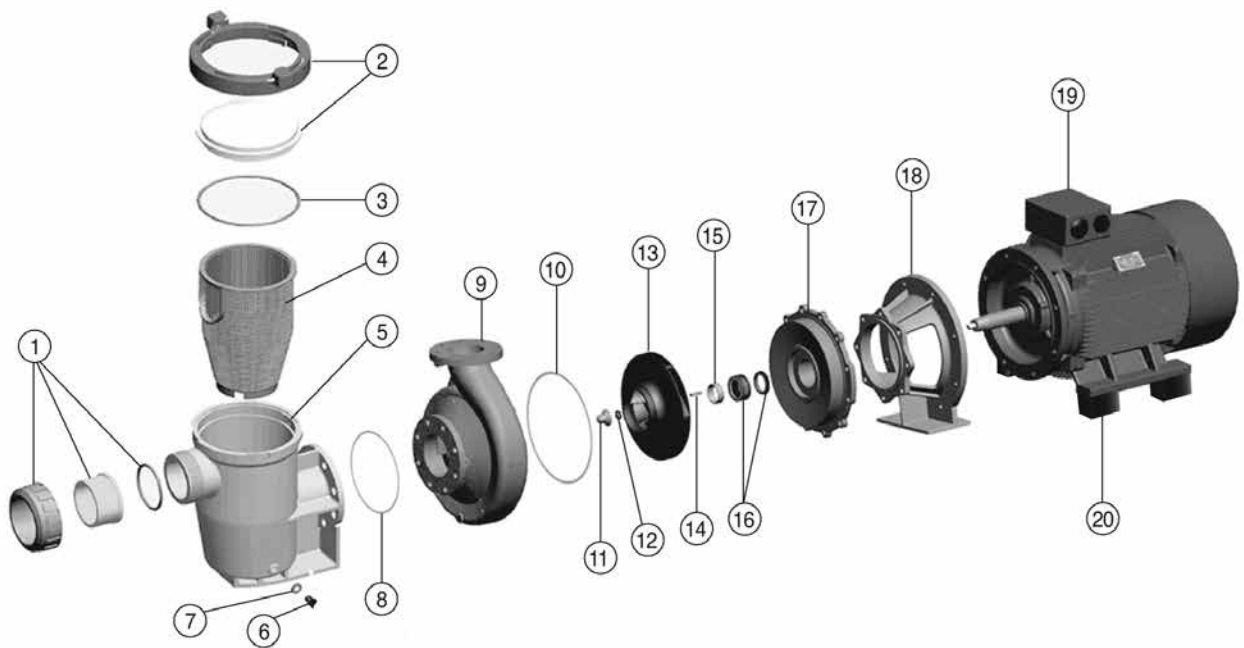


Hydrosteel Pump

Product Codes: 2408400, 2408401, 2408550, 2408551, 2408750, 2408751 & 2408753 (2408753 without strainer)

Part Number	Product Description	Diagram Number
6340803	80mm Half Union with O'Ring	1
6302550	80mm Half Union O'Ring	1
6340651	Lid & Lock Ring	2
634075	O'Ring G200	3
6340630	Commercial Strainer Basket	4
6340901	Lint Pot SS (to suit 4 kW)	5
6340902	Lint Pot SS (to suit 5.5 kW)	5
63409031	PP Strainer 4" threaded port	5
63409032	PP Strainer 6" threaded port	5
63402301	Drain Plug H/L Pot	6
6320193	Washer - Drain Plug H/L Pot	7
1216801	Flange Gasket 80mm	8
6340906	Casing (to suit 4 kW - Flange Type)	9
6340904	Casing (to suit 4 kW - Screw Type)	9
6340907	Casing (to suit 5.5 kW - Flange Type)	9
6340905	Casing (to suit 5.5 kW - Screw Type)	9
6340935	Casing Gasket	10
6340915	Impeller Nut	11
6340916	Spring Washer M16 SS	12
6340910	Impeller (to suit 4 kW)	13
6340911	Impeller (to suit 5.5 kW)	13
6340917	Impeller Key	14
6340925	Spacer (to suit 4 kW)	15
6340926	Spacer (to suit 5.5 kW)	15
63401627	Mechanical Seal (to suit 4 kW)	16
63401628	Mechanical Seal (to suit 5.5 kW)	16
6340933	Seal Plate (to suit 4 kW)	17
6340934	Seal Plate (to suit 5.5 kW)	17
6340930	Adapter Plate (to suit 4 kW)	18
6340931	Adapter Plate (to suit 5.5 kW)	18
634040204	Motor 4.0kW MEPS2 112F	19
634040214	Motor 5.5 kW MEPS	19
634040224	Motor 7.5 kW MEPS	19
63404422	Fan Cowl 112F 4.0kW (for motor 634040204)	n/s
63404423	Fan Cowl 132F 5.5kW (for motor 634040214)	n/s
63404424	Fan Cowl 132F 7.5kW (for motor 634040224)	n/s
6340921	Motor Support 4 kW (4 required)	20
6340922	Motor Support 5.5 kW (4 required)	20
631784	Motor Slinger (to suit 4 kW)	n/s
631785	Motor Slinger (to suit 5.5 kW)	n/s
6340924	Hex Bolts M10 x 55mm (4 Required)	n/s
6302181	Washer M10 - SS (4 required)	n/s
S059676	Nut M10 - SS 304 (8 required)	n/s
6340920	Bolts M12x25mm SS 304 (8 required)	n/s
6340936	Plain Washer M12 SS (4 required)	n/s
6340923	Stud M10x20mm SS 304 (4 required)	n/s
6340918	Casing Drain Plug 3/8"	n/s
6340919	Plug 1/4" NPT SS 304	n/s
6340938	Hex Bolts M16x60mm (8 required)	n/s
6340939	Hex Nut M16 SS 304 (8 required)	n/s
6340937	Plain Washer M16 SS (8 required)	n/s

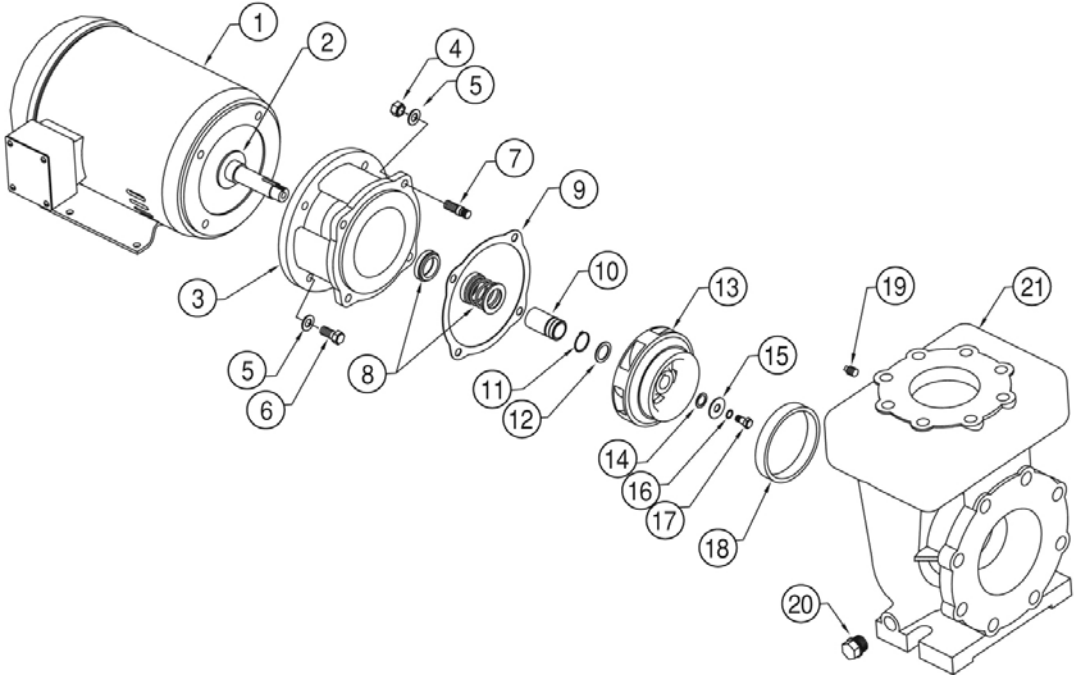
Hydrosteel Pump (continue)



Cast Iron Pump

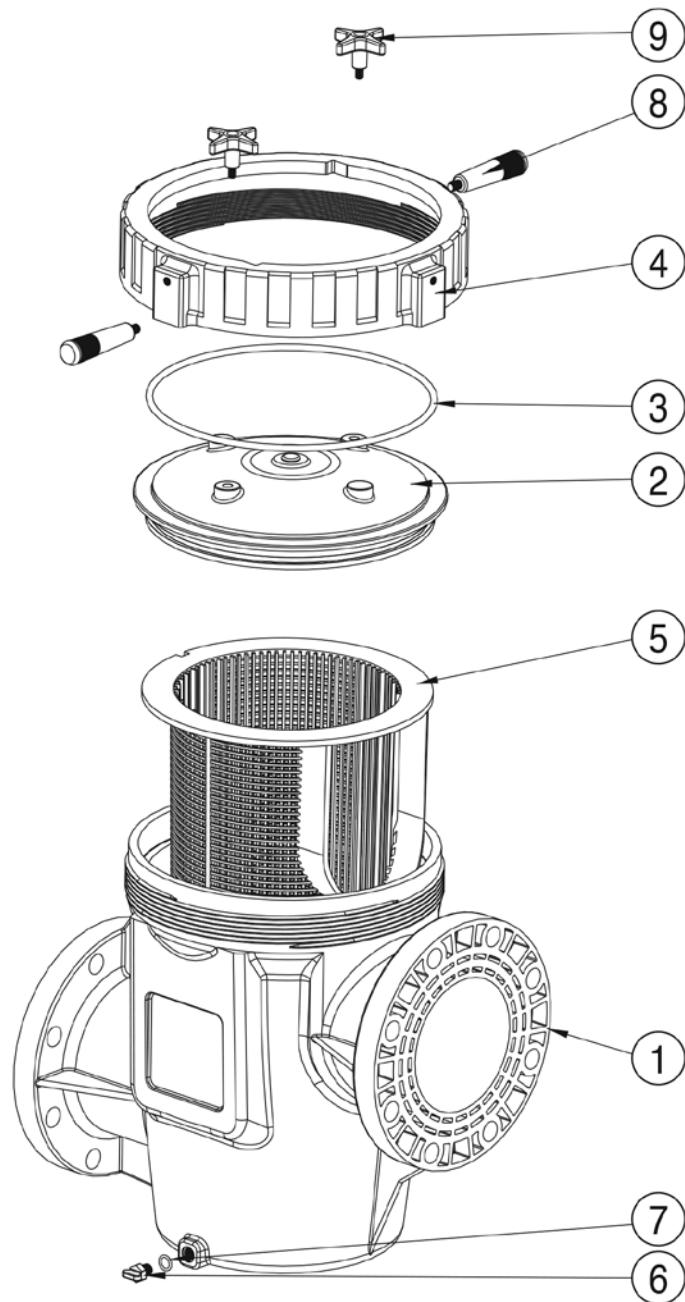
Part Number	Product Description	Diagram Number
634040212	Motor 5.5kW MEPS2	1
634040213	Motor 5.5 kW MEPS2 132F	1
634040222	Motor 7.5kW MEPS2	1
634040223	Motor 7.5 kW MEPS2 132F	1
634040233	Motor 11.0 kW MEPS2 160F	1
63404412	Fan Cowl 112F 4.0kW	n/s
63404413	Fan Cowl 132F 5.5kW	n/s
63404414	Fan Cowl 132F 7.5kW	n/s
63404415	Fan Cowl 160F 11.0kW	n/s
631786	Motor Slinger (5.5, 7.5kW)	2
631787	Motor Slinger (11kW)	2
6345039	Pump Bracket 4.0kW	3
6345040	Pump Bracket 5.5-7.5kW	3
6345041	Pump Bracket 11.0kW	3
6345036	Nut ½"UNC Hex SS	4
6345038	Spring Washer ½" SS	5
6345037	Bolt ½"UNCx1.25" SS	6
6345034	Stud ½"UNCx1.5"	7
6345032	Seal Assembly 1.250" (4.0, 5.5, 7.5kW)	8
6345033	Seal Assembly 1.750" (11.0kW)	8
6345025	Pump Body Gasket	9
6345028	Shaft Sleeve 1.25" OD (4.0, 5.5, 7.5kW)	10
6345029	Shaft Sleeve 1.75" OD (11.0kW)	10
6345030	External Circlip 1.187" SS (4.0, 5.5, 7.5kW)	11
6345031	External Circlip 1.75" SS (11.0kW)	11
6345026	Sleeve Gasket 1.25" (4.0, 5.5, 7.5kW)	12
6345027	Sleeve Gasket 1.75" (11.0kW)	12
63450210	Impeller 154.7mm - 4.0kW MEPS 2	13
63450220	Impeller 154.7mm - 5.5kW MEPS 2	13
63450230	Impeller 147mm - 7.5kW MEPS 2	13
63450241	Impeller 154.7mm - 11.0kW MEPS 2	13
6345017	Washer Gasket 1.19" (4.0, 5.5, 7.5kW)	14
6345018	Washer Gasket 1.625" (11.0kW)	14
6345019	Impeller Washer 1.1875" SS (4.0, 5.5, 7.5kW)	15
6345020	Impeller Washer 1.625" SS (11.0kW)	15
6345015	Washer - Stat-O-Seal SS ¾" (4.0, 5.5, 7.5kW)	16
6345016	Washer - Stat-O-Seal SS ½" (11.0kW)	16
6345062	Bolt ¾"UNCx1" SS (4.0, 5.5, 7.5kW)	17
6345063	Bolt ½"UNCx1" SS (11.0kW)	17
6345013	Bronze Wear Ring	18
63450100	Pump Housing Assembly	21
6340964	Wet End 4.0kW	n/s
6340965	Wet End 5.5kW	n/s
6340967	Wet End 7.5kW	n/s
6340969	Wet End 11.0kW	n/s
6345008	Strainer 6"	n/s
6345057	Strainer Housing - Cast Iron	n/s
6345050	Strainer Lid - Cast Iron	n/s
6345051	Strainer Lid O'ring	n/s
6345052	Strainer Basket	n/s
6345053	Hold Down Knob	n/s
6345054	Strainer Knob Bolt	n/s
6345056	Knob Roll Pin	n/s
6345035	Spring Washer ¾" SS	n/s
63453063	Flange Gasket 4" ANSI	n/s
63453064	Flange Gasket 6" ANSI	n/s
63409204	Bolt ¾"UNCx2.25"	n/s
63409205	Spring Washer ¾"	n/s
63409207	Bolt 5/8"UNCx2" Galvanised	n/s
63409208	Spring Washer 5/8"	n/s
6345065	Key Steel 3/16"x3/16" - Zinc Plated (4.0, 5.5, 7.5kW)	n/s
6345066	Key Steel ¼"x¼" - Zinc Plated (11.0kW)	n/s
63450580	PP Strainer Housing 6" flange	
63450581	PP Strainer Housing 4" Flange	
63450582	PP Strainer Housing 4" threaded	

Cast Iron Pump (continue)



Commercial Strainer

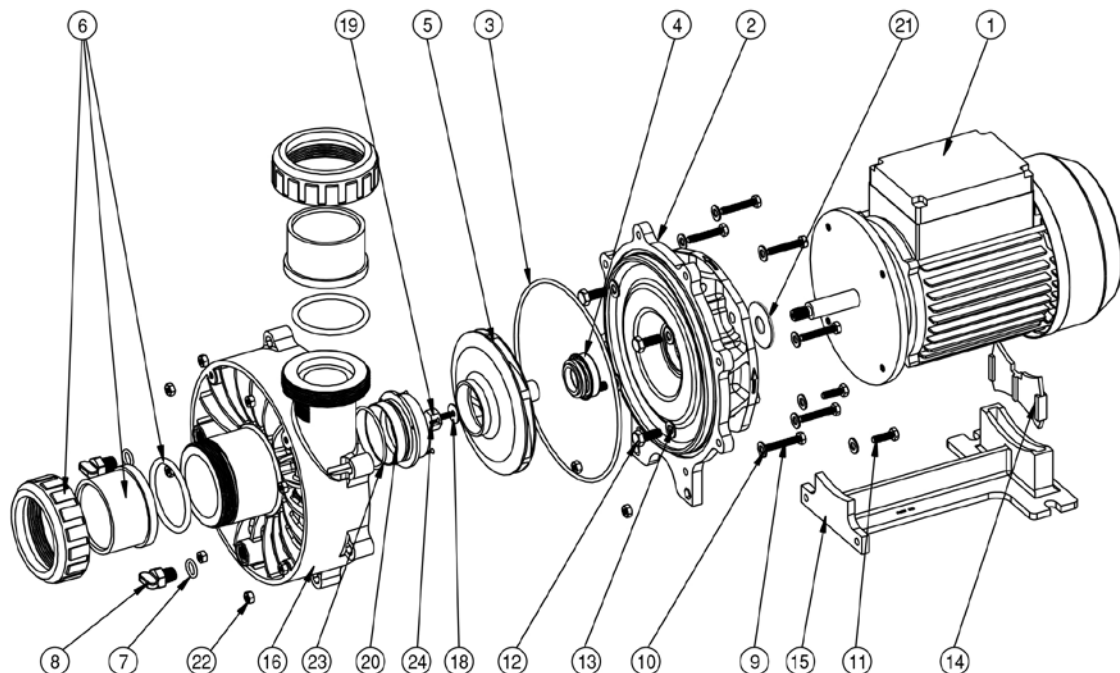
Part Number	Product Description	Diagram Number
63409031	PP Strainer Housing 4" Threaded Port SS	1
63409032	PP Strainer Housing 6" Flange Port SS	1
63450581	PP Strainer Housing 4" Flange Port B/Hydro	1
63450582	PP Strainer Housing 4" Threaded Port B/Hydro	1
63450580	PP Strainer Housing 6" Flange Port B/Hydro	1
63450500	Hair & Lint Pot Lid 12" PC Clear	2
62027	Opal Lid O'Ring BS452A	3
620232	Filter Lock Ring 12"	4
63450520	Strainer Basket PP	5
63402302	Drain Plug 1/2" BSP	6
620193	O'ring BS112	7
6202321	Handles, Opal Lid/12" + 16" lock ring (2 req'd)	8
AXFI168	CF Knob	9



Turboflo

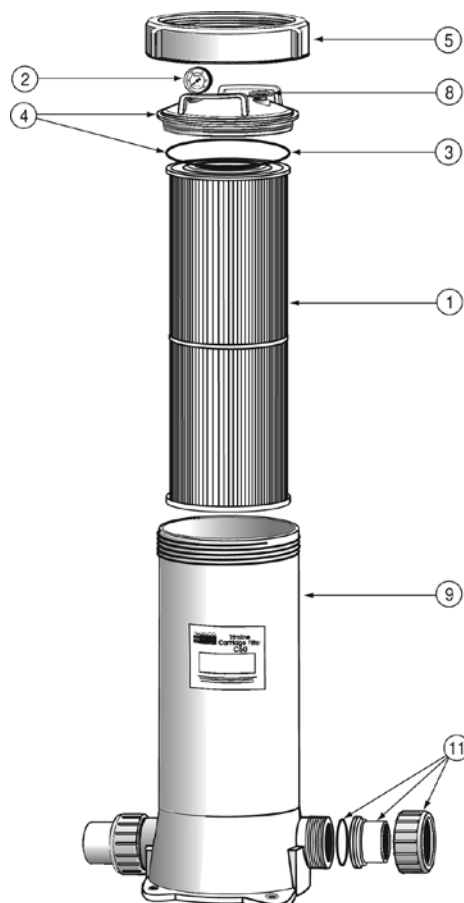
Part Number	Product Description	Diagram Number
6340277EM	Motor 80F/2.5HP/B14FLANGE	1
6340274E	Motor 1.13kW - 1 phase (100, 125)	1
6340275F	Motor 71F 1500WSTD A14 (150, 200)	1
634027502	Motor 1.68kW & insert (200)(6340275Lmotor+63402122 insert)	1
6340303E	Motor 2.60kW/3 phase (300)	1
634101	Bracket	2
634017	Bracket O'Ring	3
63401625	Mechanical Seal ASSY M143416	4
6340162	Mechanical seal	4
634012	Impeller - 1.0hp	5
6340143	Impeller - 1.5hp	5
6340145	Impeller - 2.0hp	5
6340157	Impeller - 2.5hp	5
63401534	Impeller - 3.0hp	5
634015350	Impeller - 4.0hp	5
634024B	Half Union 50mm W/O'Ring (2 required) - Black	6
620193	Drain Plug O'Ring - BS112 (x2)	7
63402301	Drain Plug (x2)	8
63400411	Hex Set Screw - M6x35 SS316 (x8)	9
6340030	Washer - 1/4x9 SS316 (x10)	10
6340040	Hex Set Screw - M6x20 SS316 (x2)	11
63401830	Hex Set Screw - M8x20 SS316 (x4)	12
6302180	Washer - 5/16x5 SS316 (x4)	13
634021	Foot Insert	14
63402122	Foot Insert (alternate)*	14
634106	Pump Foot	15
634100	Pump Body	16
82444205	O-ring BS011 (for Turboflo 150 - 300)	18
6340412	O'ring (for 4.0hp)	18
W22912	Left Hand Screw M5x18 (for Turboflo 150 - 300)	19
6340411	Nut M10 Overmoulded 4.0hp	19
634104	Suction Nozzle - 1.0hp to 2.5hp	20
631781	Motor Slinger - 1.0hp to 2.5hp	21
631782	Motor Slinger - 3.0hp, 4.0hp	21
72591133	Suction Nozzle O'Ring - BS138 (1.0hp to 2.5hp)	23
63612642	PT Screw 3Gx6.5, Countersunk SS316 (x3)	24
6340441	Cowling	25
6340453	Fan	26

* Note: If the alternate motor is used - the alternate Foot Insert must be used accordingly.



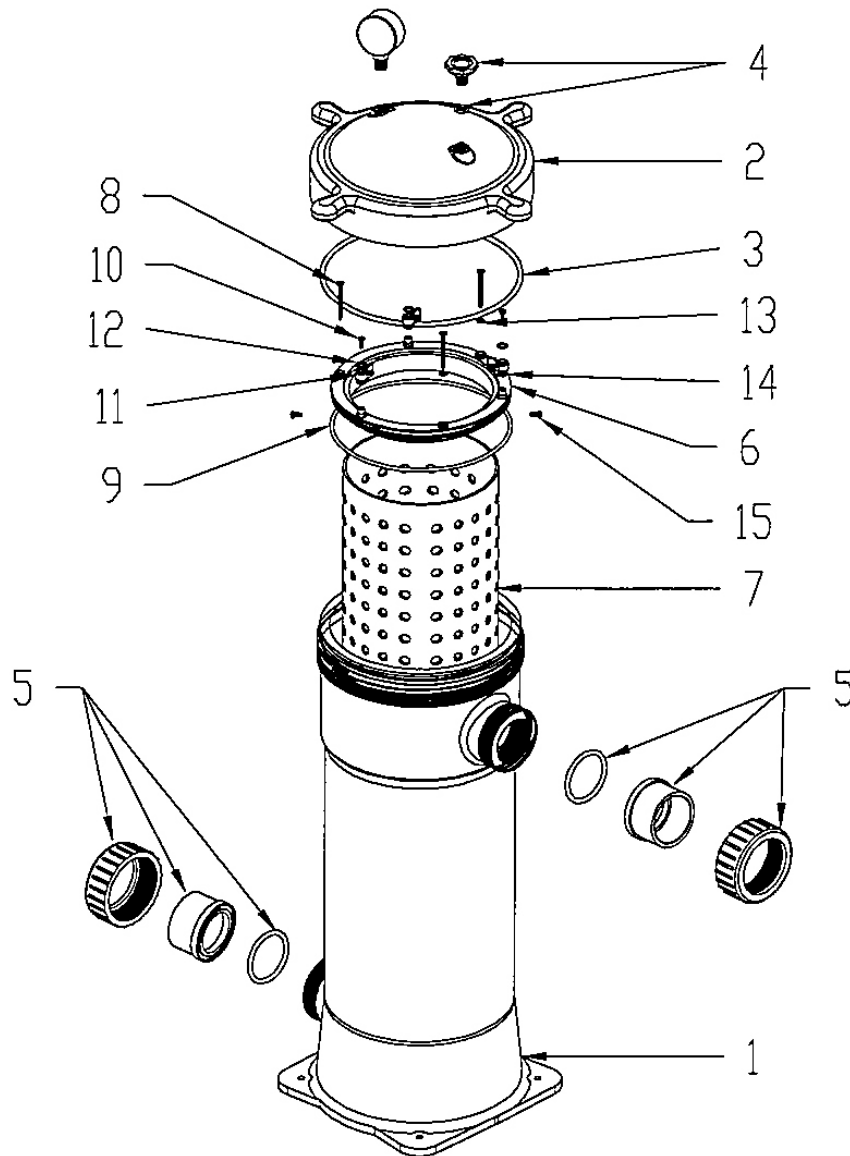
Trimline Cartridge

Part Number	Product Description	Diagram Number
62040	Cartridge C25	1
62042	Cartridge C50	1
62048	Cartridge CC50	1
62044	Cartridge C75	1
62049	Cartridge CC75	1
62050	Cartridge CC100	1
62109	Pressure Gauge Back Mount 400kPa	2
62161	Pressure gauge bottom mount dry	2
621625	Pressure gauge bottom mount 400kpa dry	
62020	Lid c/w O'ring MK2 (OD 221mm)	4
62052	Lid O'ring MK1	3
62021	Lid O'ring MK2 - Black	3
62025	Lid c/w O'ring MK3 (OD 214mm)	4
62026	Lid O'ring MK3 (O'ring) - White	3
620260	Lid O'ring Mk3 BS369 Viton	3
62024	Lock ring MK3 (5 threads)	5
620221	Air release valve MK2	8
620193	O'ring air release valve	
6201931	O'ring air release valve BS112 Viton	
620671	C25 MK3 tank	9
620691	C50/CC75 MK3 tank	9
620681	CC50 compact MK3 tank	9
620711	C75/CC100 MK3 tank	9
122243B	40mm half union (C100/CC150 only)	11
62078	Cartridge spacer C100	n/s
122257BLK	40/50mm half union MK3 (POST 2001)	11
620341	Union O'ring 40/50mm MK2	11
620342	O'ring half union BS332 Viton	11
620245	Spanner 8" Lock Ring	
620251	Trimline Lid MK3	
62026	O'ring for Lid MK3	



Leaf Trapper

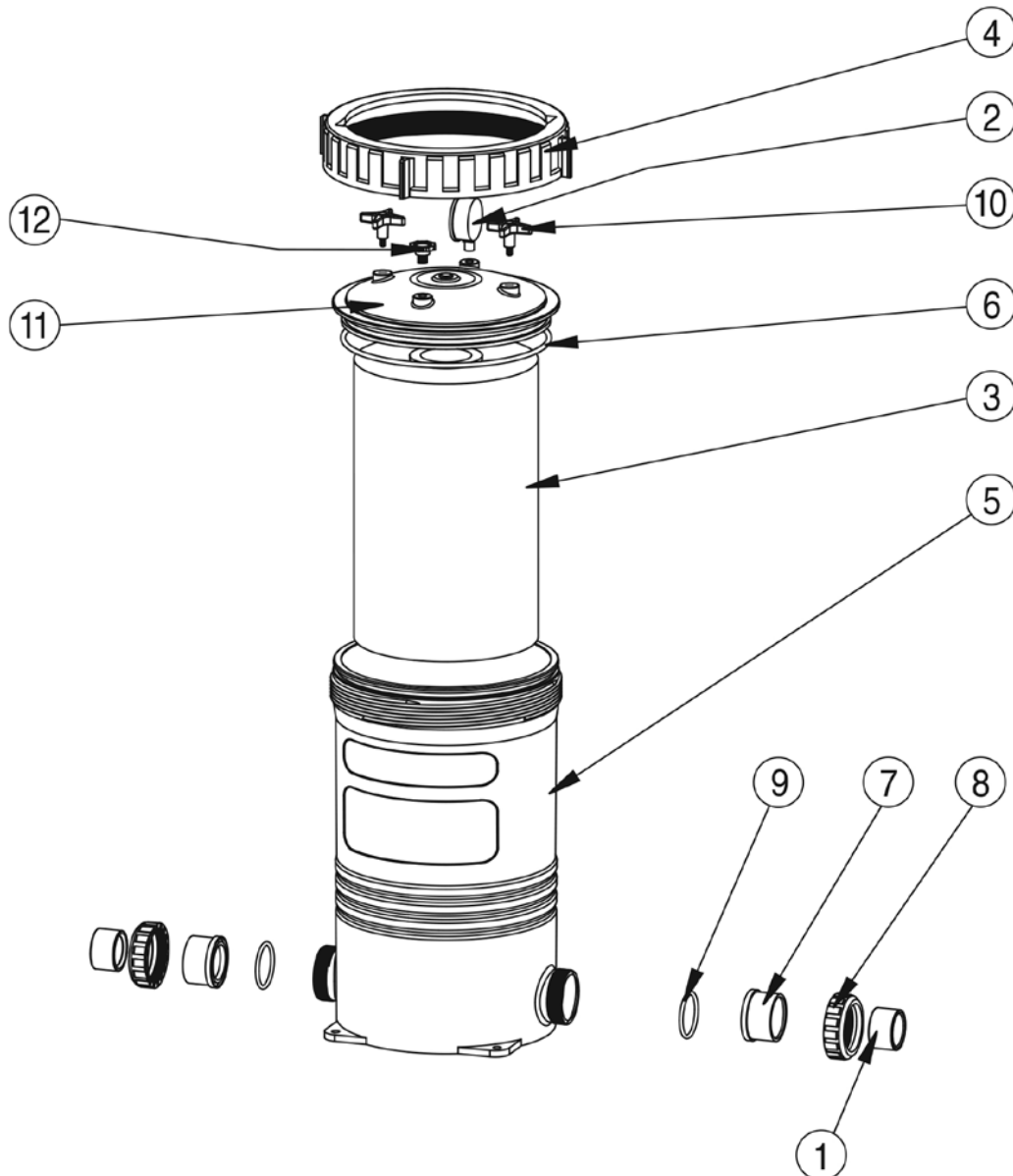
Part Number	Product Description	Diagram Number
62044131	T/Line Bag Housing C50 W/Ext.Thread Port Only	1
62044170	T/Line Bag Housing Lid Clear	2
620262	O'Ring G220	3
620221	Air Release Valve - Black Clear	4
634024B	Half Union with O'ring - 50mm (2 required) - Black	5
620342	Tail End	5
620245	O'Ring	5
3651947	Cage Ring	6
3651946	Support Cage Filter Bag	7
620292	Screw 10G X 2" CSK SS316 for TBF Cage Ring	8
620293	O'Ring 205 X 4 For TBF Cage Ring	9
6340087	Screw PT#8 13MM S/S 316 For UWL	10
620291	Latch For TBF Cage Ring	11
620294	Washer 3/16X1/2X20Flat SS316 TBF Cage Ring	12
82444204	O'Ring BS010	13
82444205	O'Ring BS011	14
63814277	Screw M3x6	15



Opal Cartridge Filter

Product Codes: 217120, 2171200, 2171350, 217150, 2171500, 217180, 2171500

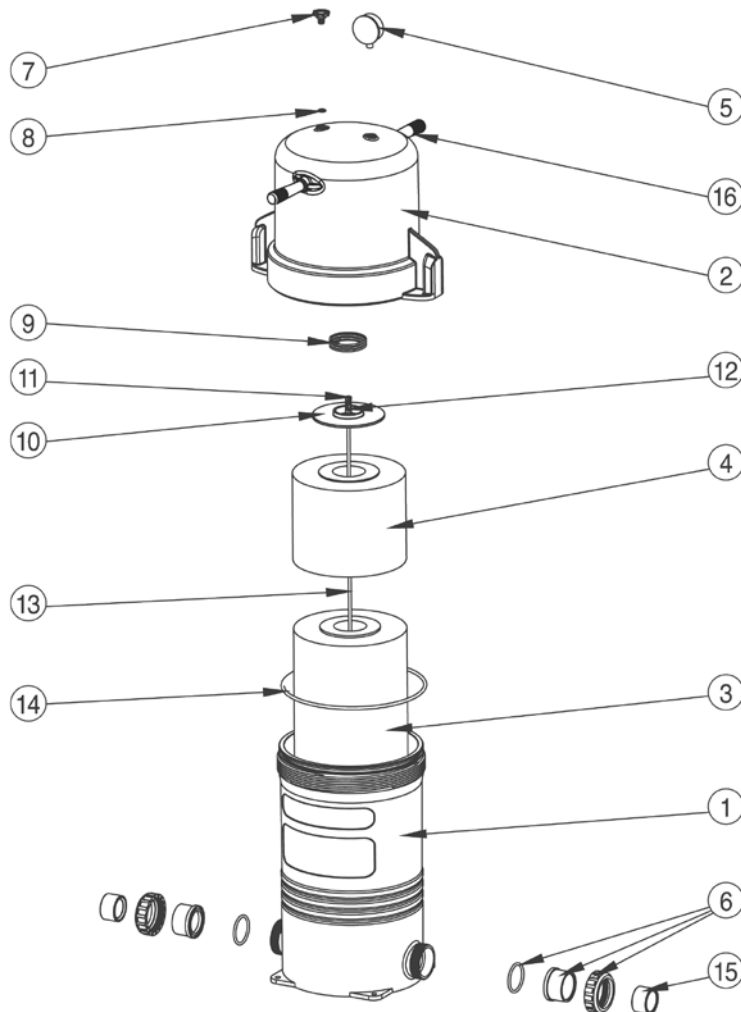
Part Number	Product Description	Diagram Number
12555BLK	Reducing bush 50 x 40mm Black	1
621632	Liquid Filled Pressure Gauge Bottom Mount 400kPa	2
701033	Filter cartridge 120 sq.ft	3
701039	Filter cartridge 135 sq.ft	3
701034	Filter cartridge 150 sq.ft	3
701038	Filter cartridge 180 sq.ft	3
AXFI0100	Opal tank lock ring	4
AXFI0120	Opal pewter tank only 3.5 bar	5
AXFI0121	Tank only w/drain plug	5
620271	ORING OPAL LID (P280 279.5 X 8.4)	6
AXFI014	Opal black union tail	7
AXFI016	Opal black lock ring	8
AXFI018	Opal union o'ring	9
AXFI168	Opal handle	10
AXFI0082	Opal lid only (5mm smaller in diameter that AXFI081)	11
620221	Air relief valve	12
620271	Lid o'ring P280 (279.5 X 8.4) - suit 3.5 bar tank	



Opal XL Cartridge

For product codes: 217270 & 217225

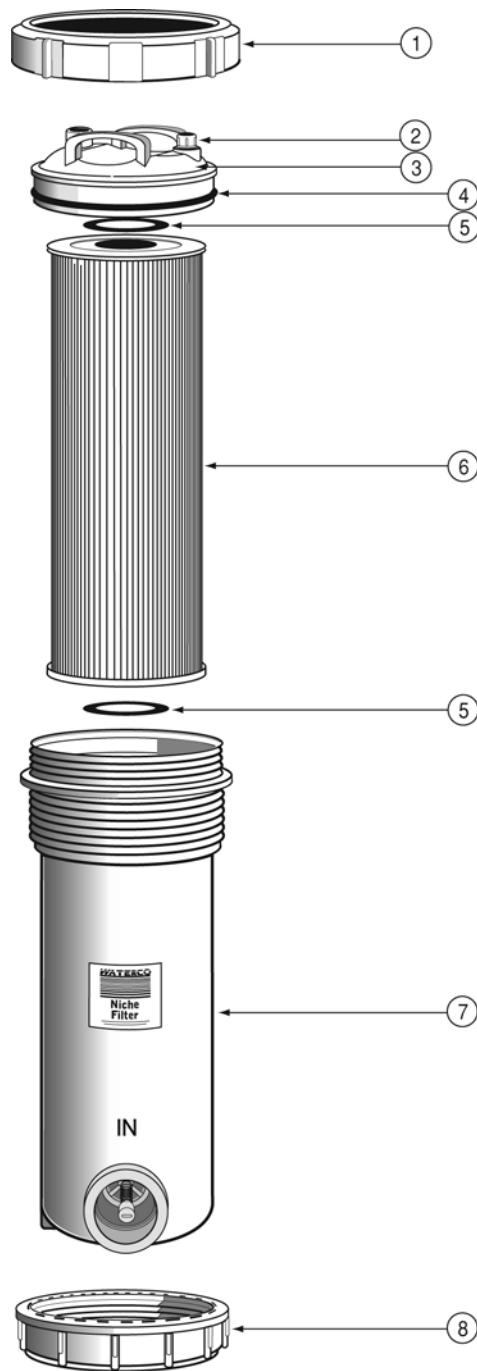
Part Number	Product Description	Diagram Number
621632	Liquid Filled Pressure Gauge Bottom Mount 400kPa	5
620221	Air relief valve	7
AXFI0085	Opal Top Housing 225	2
AXFI0087	Opal Top Housing 270	2
AXFI0089	Opal Spring 225/270	9
86172	Gulfstream plug (2 required)	12
620223	Air relief tube screen	11
814008	Air Bleed Opal 600mm	13
8223502	Opal Cartridge Top Adaptor	10
701039	Opal Cartridge Element 135 sq.ft	
701038	Opal Cartridge Element 180 sq.ft	3
701040	Opal Cartridge Element 225 sq.ft	
701041	Opal Cartridge Element 90 sq.ft	4
701041 + 701038	Opal Cartridge Element 270 sq.ft	4 + 3
61216	Opal Element Joiner	
AXFI0120	Opal Tank PP Pewter	1
6202720	O'Ring B454 60 Shore a EPDM Teflon Coated	14
AXFI014	Opal black union tail (2 required)	6
AXFI016	Opal black lock ring (2 required)	6
AXFI018	Opal union o'ring (2 required)	6
12555BLK	Reducing Bush 50 x 40mm Black	15
132303	Plumbing Kit Opal Skid with Hydrotuf	
132304	Plumbing Kit Opal Skid with Hydrotuf & Multicyclone	
6202321	Handles, Opal Lid/12" + 16" locking (2 req'd)	16



Waterco Top Load

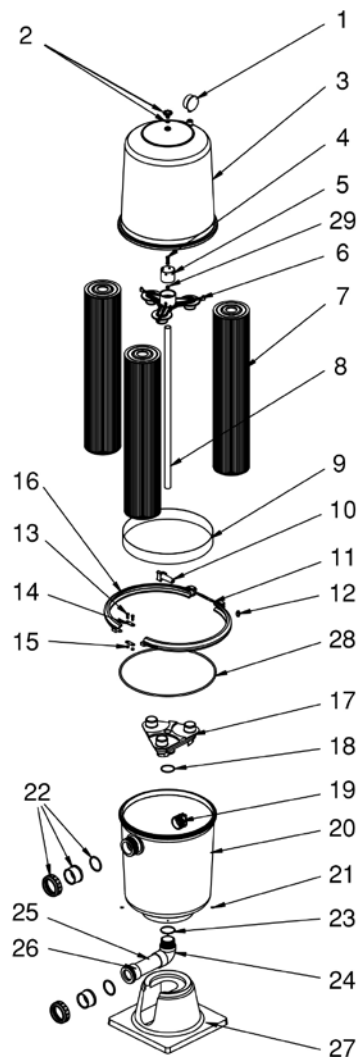
Product Codes: 4555250, 45552505, 4555275

Part Number	Product Description	Diagram Number
61209	Lid lock ring	1
61206	Air release valve	2
61207	Air release O'ring	3
61205	Lid	4
61208	Lid O'ring	5
61213	Spacer ring	6
62010	50 sq.ft cartridge	7
62009	75 sq.ft cartridge	8
61210	Top load filter tank only 50 sq.ft	9
61211	Top load 75 tank only	10
61212	Body lock ring	11



Fulfo Tri Cartridge Filter

Part Number	Product Description	Diagram Number
621632	Liquid Filled Pressure Gauge Bottom Mount 400kPa	1
620221	Air Release Valve	2
62233	Tank top ultra high dome - grey	3
620223	Air Relief Tube Screen	4
6220701	Tri Cartridge Manifold Adaptor (top)	6
622810	Cartridge Element - TC 300 (3 required)	7
622820	Cartridge Element - TC 400 (3 required)	7
622830	Cartridge Element - TC 500 (3 required)	7
62202	Clamp Ring Assy	16
621057	S/S Inner Band	9
622195	Knob	10
622201	M8X100 S/S Stud	11
6220700	Manifold - Tri Cartridge (bottom)	17
6220702	O'ring - 55x3.3mm	18
62268	Inlet Baffle - 50mm	19
8223431	Tank Bottom Pewter colour	20
634024B	Half Union 50mm W/O'Ring (2 required) - Black	22
823319	90° Screwed Elbow O'ring	23
6204148	Outlet Pipe Assy	23,24,25,26
8223451	Fulflo Bottom Elbow 50mm Black	25
62228	P/P Support Base	27
62250	Tank Body O'Ring	28
85251	Gulfstream Plug	29

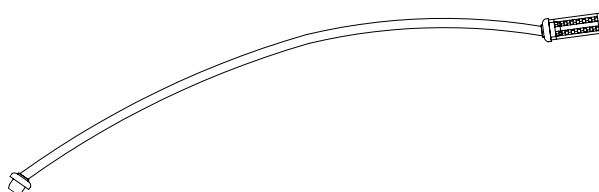


Fulflo Spares - Astra D.E.

Part Number	Product Description	Diagram Number
62231	Tank Top Low Dome - P2016	1
62232	Tank Top High Dome (Grey) P2027,31	1
62233	Tank Top Ultra High Dome - P2036,48	1
620221	Air Release Valve c/w O'Ring	2
62202	P2145 Clamp Ring Assy (c/w Knob, Bolt, Lug)	3
62203	P2153 Nally Tank Clamp Knob, Bolt, Lug	3
62250	P9109 Tank Body O'Ring	4
62228	Polypropylene Support	5
62236	P2517 Inner Band (Grey Tank)	6
622361	Inner Band (Tank Brown)	6
822315	Tank Body Ultra Bottom-P2016,27,31,36 Grey (not interchangeable with br tank)	7
822343	Tank Body Ultra Bottom-P2048 Grey (not interchangeable with br tank)	7
62109	Pressure Gauge Back Mount 400kPa	8
62161	Pressure Gauge Bottom Mount 250kPa	8
64479	Union O'ring (post 3/98)	10
6340241	Union O'ring 50mm P2027 - 48 (BS332)	10
62205	P2123 Union Adapter Assy	11
644792	O'Ring BS226	12
822327	90 Deg Elbow Union - P2016,27,31	13
62206	P2124 90 Deg Elbow Union Assy P2036,48	13
62209	P2146 Complete Septum - P2027,31 (w/manifold)	14
62210	P2157 Complete Septum - P2036 (w/manifold)	14
62211	P2206 Complet Septum - P2048 (w/manifold)	14
62207	P2126 Manifold Assembly	15
62216	P2147 - 150 Filter Grid - P2027,31 - 450 long 2 per Filter	16
62217	P2148 - 250 Filter Grid - P2027,31 - 450 long 2 per Filter	17
62218	P2149 - 250 Offset Filter Grid - P2027, 31 - 450 long 2 per Filter	18
62219	P2150 - 310 Filter Grid - P2027,31 - 450 long 4 per Filter	19
62220	P2158 - 150 Filter Grid - P2036 - 630 long 2 per Filter	16
62221	P2160 - 250 Filter Grid - P2036 - 630 long 2 per Filter	17
62222	P2162 - 250 Offset Filter Grid - P2036 - 630 long 2 per Filter	18
62223	P2164 - 310 Filter Grid - P2036 - 630 long 4 per Filter	19
62224	P2210 - 150 Filter Grid - P2048 - 810 long 2 per Filter	16
62225	P2214 - 250 Filter Grid - P2048 - 810 long 2 per Filter	17
62226	P2211 - 250 Offset Filter Grid - P2048 - 810 long 2 per Filter	18
62227	P2213 - 310 Filter Grid - P2048 - 810 long 4 per Filter	19
62234	P2337 Clamp Plate	20
62238	P2521 Tie Rod - P2027,31	21
62239	P2538 Tie Rod - P2036	21
62240	P2545 Tie Rod - P2048	21
122243B	Half Barrel Union (post 03/98)	23
634024B	Half Union 50mm W/O'Ring (2 required) - Black	23
823318	90 Degree Elbow Threaded 40mm	24
6204148	Outlet Pipe Assembly	24, 25
823319	90 Degree Elbow O'Ring	25
62248	P9125 Adapter O'Ring each end of elbow	
622291	P2027/31 KIT Grey Top & Bottom & Clamp & Inner Band & Knob	
622301	P2048 KIT Grey Top & Bottom & Clamp & Inner Band & Knob	
622195	Knob W/M8 Brass Nut Insert	
6202201	Air Bleed Kits for Fulflo Filter	

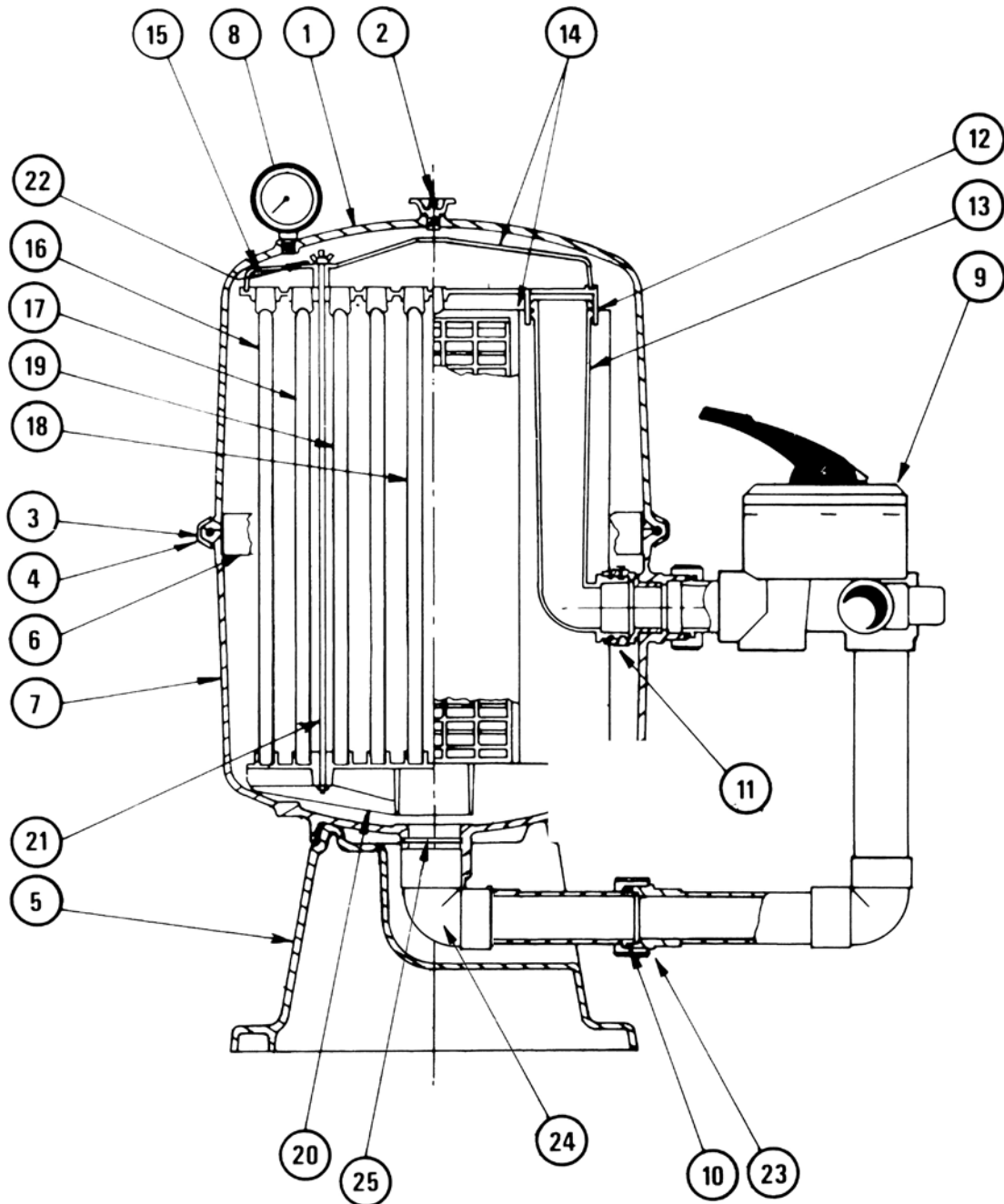
Air Bleed Assembly

Part Number	Product Description	Diagram Number
6202201	Air Bleed Kits For Fulflo Filters	1



Fulflo Spares - Astra D.E. (Continue)

Tank Port Size	Model	Code MPV c/w Plumbing Kit	Connection	
			Tank	MPV
50MM	P2027	2390495	top - male bottom - male	top - female bottom - female
	P2036	23905832		
	P2048	23905932		

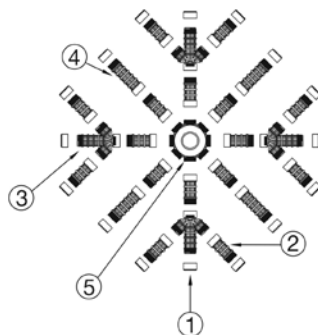
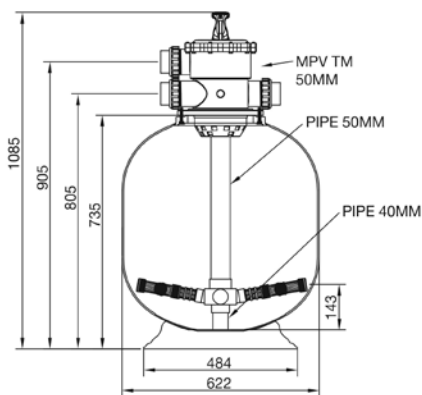


Micron / Thermoplastic / Hydron Common Parts

Part Number	Product Description	Diagram Number
6209227	Lateral Extension Arm Assembly Long (4 required for S602)	3
6209226	Lateral Extension Arm Assembly - Short	3
620892	Manifold Threaded 40mm	
620893	Manifold Threaded 50mm	5
620921	Lateral Threaded 75mm	2
620922	Lateral Threaded 110mm	4
620923	Lateral Threaded 145mm	
620924	Lateral Threaded 200mm	
620925	Lateral Threaded Cap (16 required for S602)	1
6209251	Lateral Threaded Plug	
62100	Valve Neck O'Ring (Suits 40mm MPV)	
62101	Micron Valve Gasket (50mm)	
62102	Micron S/S Dome Nut & Washer (Set of 12)	
62109	Pressure Gauge Back Mount 400kPa	
62161	Pressure Gauge Bottom Mount 250kPa	
621621	Pressure Gauge 100mm Bottom Mount 600 kPa	
621630	Pressure Gauge Back Mount (Oil Filled) 400kPa	
621632	Pressure Gauge Bottom Mount (Oil Filled) 400kPa	
122243B	40mm Half Union	
64479	40mm Union O'Ring	
634024B	Half Union 50mm W/O'Ring (2 required) - Black	
6340241	50mm Union O'Ring	
635092	Barrel Union Nut 50mm - Blue	
6340803	80mm Half Union (Black) with O'Ring	
6302550	80mm Half Union O'Ring	
6209304	Drain Plug 25mm Complete (S600 Premium)	

T Filters - Clamp Band Type

620892	Manifold Threaded 40mm
620921	Lateral Threaded 75mm (8 required for T400, 16 for S602)
620922	Lateral Threaded 110mm (8 required for T450, T500, 4 for S602)
620923	Lateral Threaded 145mm (8 required for T600)
620925	Lateral Threaded Cap (8 required for each model)
6226010	Clamp Band 6" Kit
62109	Pressure Gauge Back Mount 400kPa
622604	Locater 40mm 6" Clamp
620269	O'Ring 185 x 4mm

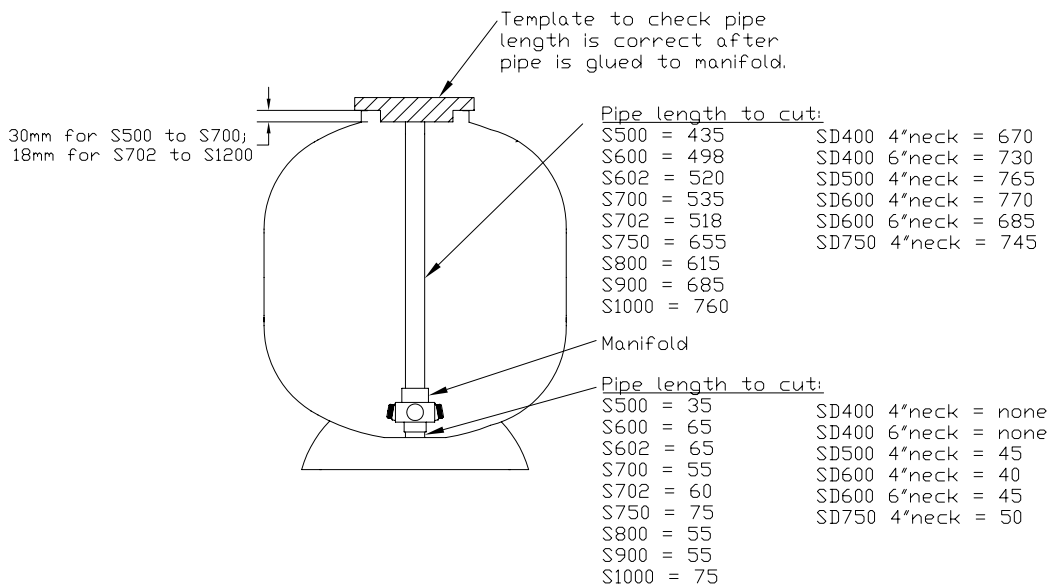


Micron / Thermoplastic / Hydron Common Parts (Continue)

Part No:		620892	620893	620921	620922	620923	620924	620925	6209226	6209227
Model		Manifold 40mm	Manifold 50mm	Lateral 75mm	Lateral 110mm	Lateral 145mm	Lateral 200mm	Lateral End Cap Nut	Extension Arm Assy Short	Extension Arm Assy Long
S500	Eco	1		8	4			16		4
S600	Eco	1		16	4			16		4
S602	Eco		1	16	4			16		4
S700	Eco	1		16			4	16	4	
S702	Eco		1	16			4	16	4	
S750	Eco		1	8	12	4		16	4	
S800	Eco		1	8	12	4		16	4	
S900	Eco		1	4	8	12		16	4	
E600 Plus. SM	Eco	1		12		4		16	4	
E602 Plus. SM	Eco		1	12		4		16	4	
E702 Plus. SM	Eco		1	12			4	16		4
E600 Plus. TM	Eco	1		12		4		16	4	
E602 Plus. TM	Eco		1	12		4		16	4	
E702 Plus. TM	Eco		1	12			4	16		4

Part No:		620892	620893	620921	620922	620923	620924	620925
Model		Manifold 40mm	Manifold 50mm	Lateral 75mm	Lateral 110mm	Lateral 145mm	Lateral 200mm	Lateral End Cap Nut
T400	Std	1		8				8
T450	Std	1			8			8
T500	Std	1			8			8
T600	Std	1				8		8
Clamp type T400	Std	1		8				8
Clamp type T450	Std	1			8			8
Clamp type T500	Std	1			8			8
Clamp type T600	Std	1				8		8
E500	Std	1						
E600	Std	1						
S500	Std	1			8			8
S600	Std	1		8	8			8
S700/F700	Std	1					8	8
S702/F702	Std		1				8	8
S750	Std		1	8		8		8
S800	Std		1	8		8		8
S900	Std		1			16		8

Micron Filters Sten Pipe Lengths

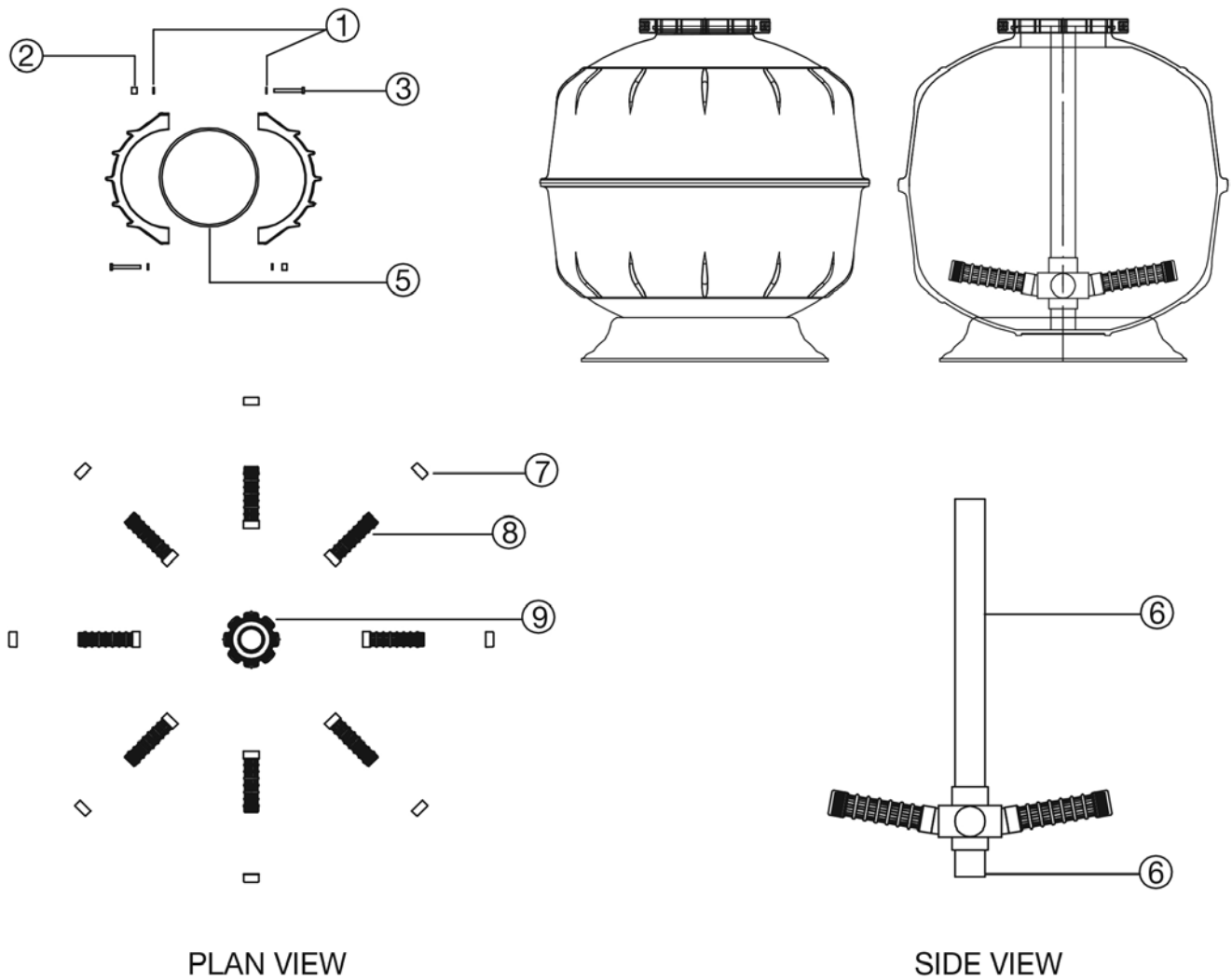


Exotuf E500/E600/E602/E702 TM Filter/Exotuf Plus/SM

TM - Product code: 22602460, 22602480, 22602490, 22602990

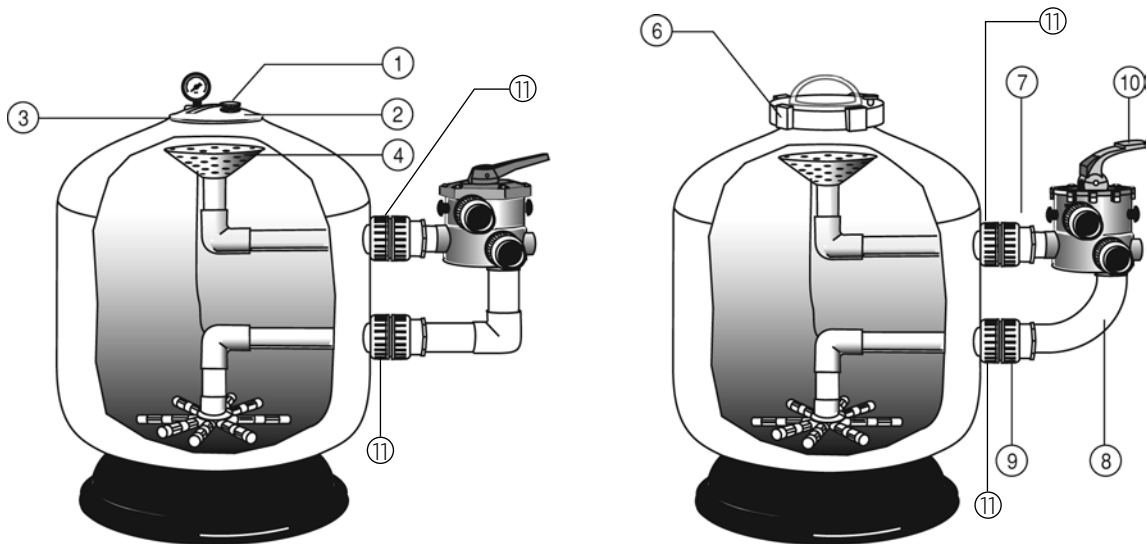
SM - Product code: 22602430, 22602440, 22602940

Part Number	Product Description	Diagram Number
W12783	Spring Washer M6 SS304	1
622602	Square Nut M6 x 10mm SS304	2
621373	Bolt M5 X 55 Pan Head SS304	3
6202691	O'ring 180 X 4.5mm (E500 onwards)	5
620269	O'ring 185x4mm (suits E400)	5
6226010	Clamp Band 6" (E400/E450)	1/2/3/4/5
622590	Clamp Band 6" MK11	1/2/3/4/5
6220209	Clamp Band 8" MK11 Kit	1/2/3/4/5
620925	Lateral End Cap Nut PP (8 required)	7
620923	Lateral 145mm PP (8 required)	8
620892	Manifold 40mm	9
62109	Pressure Gauge Back Mount 400kPa	N/S
6202692	O'Ring 198 X 4.5MM	
2260246	E600 Exotuf Filter Clamp Type Tank only	
62092911	Lid 8" Neck Clamp Type Exotuf Plus	
622590	Clamp Bank Kit	



Micron Side Mount Sand Filter

Part Number	Product Description	Diagram Number
620221	Air Release Valve	1
620929	SM 6" Tom Lid (threaded) (O'ring not included)	2
62100	SM Top Lid O'Ring	3
620940	SM Water Diffuser (Funnel)	4
6209291	SM 8" Clear Lid (O'ring not included)	5
1222400	Bulkhead Assembly 40mm	11
62026	SM Top Lid O'Ring 8" (O'ring not included)	n/s
620266	SM Manhole O'Ring (SM1050 and up)	n/s
62024BLK	T/Line lock ring 52mm high black	6
121551	Threaded Fitting 40mm for Sweep Elbow	7
121556	Threaded Fitting 50mm for Sweep Elbow	7
121550	Threaded Sweep Elbow 40mm	8
121555	Threaded Sweep Elbow 50mm	8
630320	40mm Half Union Nut	9
64479	Barrel Union O'Ring 40mm	n/s
6340242B	Barrel Union Nut 50mm	9
6340241	Barrel Union O'Ring 50mm	n/s
6209302	Drain Plug 15mm (up to and including SM900 with 50mm Ports)	
6209303	Drain plug 40mm (SM900 with 80mm Ports and SM1050 and up)	n/s
620936	Drain Plug Assembly Connector 1" BSPT	
620927	2" (50mm) Bulk Head	
122282	3" (80mm) Bulk Head	
121558	Sweep elbow kit 40mm	8
121559	Sweep elbow kit 50mm	8
2290421	MPV Body SM 40mm SF male/female BSP	10
2290512	Multiport Valve 50mm	10
620220	Air Relief Repair Kit	



Micron Side Mount Sand Filter (continue)

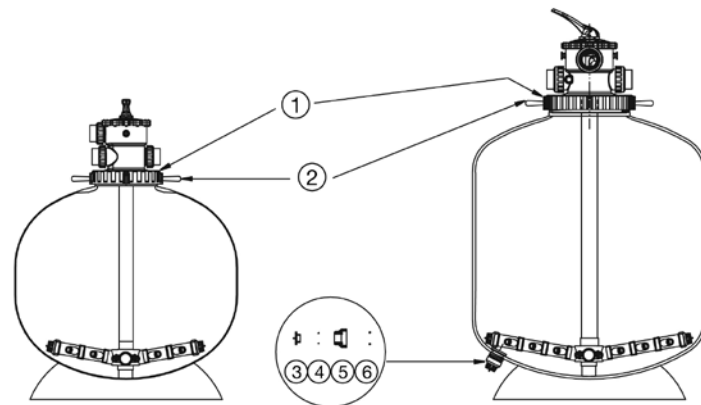
Part No:		620892	620893	620921	620922	620923	620924	620925	6209251	6208931	6208932	6208933
Model		Manifold 40mm	Manifold 50mm	Lateral 75mm	Lateral 110mm	Lateral 145mm	Lateral 200mm	Lateral End Cap Nut	Lateral Cap Nut (Male)	HRZ Cross Tee	HRZ LCT Extention 48	HRZ LCT Extention 48 End Cap
SM500	Std	1				8		8				
SM600 40mm port	Std	1		8	8			8				
SM600 50mm port	Std		1	8	8			8				
SM700	Std		1				8	8				
SM750	Std		1	8		8		8				
SM800	Std		1		8	8		8				
SM900	Std		1	8				8	8			
SM900 80mm port	Std			4	22	4	2	36	4	2	8	4

Part No:		620892	620893	620921	620922	620923	620924	620925	6209226	6209227
Model		Manifold 40mm	Manifold 50mm	Lateral 75mm	Lateral 110mm	Lateral 145mm	Lateral 200mm	Lateral End Cap Nut	Extention Arm Assy Short	Extention Arm Assy Long
SM500	Eco	1		12		4		16	4	
SM600 40mm port	Eco	1		16	4			16		4
SM600 50mm port	Eco									
SM700	Eco	1		8	4		4	16		4
SM750	Eco		1	8	12	4		16	4	
SM800	Eco		1		20	4		16	4	
SM900	Eco		1	8		12	4	16	4	
SM900 80mm port	Eco									

Top Mount Filter Tanks

Also Aquaswim Tank Filament Wound

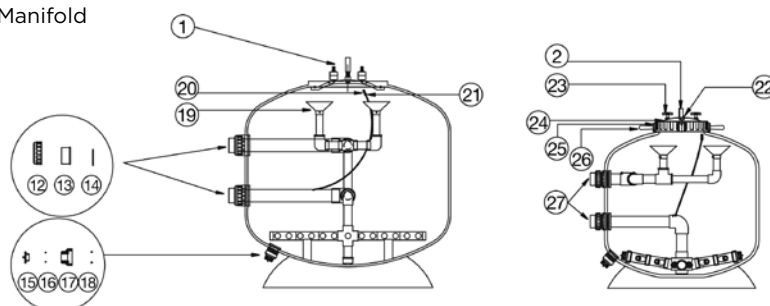
Part Number	Product Description	Diagram Number
FILAMENT WOUND TOP MOUNT		
220124	S600 Tank inc Base & Eco Under Drain Assembly	
220126251	S602 Tank inc Base & Eco Under Drain Assembly	
220129	S702 Tank inc Base & Eco Under Drain Assembly	
220130	S750 Tank inc Base & Eco Under Drain Assembly	
220132	S800 Tank inc Base & Eco Under Drain Assembly	
220136	S900 Tank inc Base & Eco Under Drain Assembly	
2201420	S1050 Tank inc Base & Under Drain Assembly (65mm)	
2201480	S1200 Tank inc Base & Under Drain Assembly (65mm)	
22048801	S1200 Tank inc Base & Under Drain Assembly (80mm)	
220148161	S1200E 16" Tank inc Base & Under Drain Assembly (80mm)	
NOTE: Aquaswim (Tank same as Waterco)		
THERMOPLASTIC FILTER TANK ONLY - CLAMP TYPE		
2260165	T400 Filter Tank only - Clamp Type	
2260185	T450 Filter Tank only - Clamp Type	
TOP MOUNT COMMERCIAL S1050/S1200		
620232	Lock ring 12" for S1050/S1200 65mm valve	1
6202321	Screwed handle for lock ring 12" / 16"	2
6209303	Drain Plug (40mm)	3/4/5/6
620221	Air relief valve	
621632	Liquid Filled Pressure Gauge Bottom Mount 400kPa	
6208920	65mm Manifold Socket	
2260206	E500G Exotuf Clamp Type - Tank only	
2260246	E5600 Exotuf Filter Clamp Type - Tank only	
2260248	Exotuf Plus E600 Clamp Type - Tank only	
2260249	Exotuf Plus E602 8" Clamp Type - Tank only	
2260299	Exotuf Plus E702 8" Clamp - Tank only	
22000824	Micron SM600 8" Neck - Tank only	
22000830	Micron SM750E 8" Neck - Tank only	
22000836	Micron SM900E 8" Neck - Tank only	



Part No:	Model	Manifold	620921 620922 620923 620924				620925		6209251	6208931	6208932	6208933	6200912	6209254	6209255
			LATERALS				Lateral End Cap Nut	Lateral End Plug (male)	Hzr Cross Tee	Hzr LCT Extension	Hzr LCT End Cap	Extension Arm	Cap Body	Cap Nut	
			75mm	110mm	145mm	200mm									
S1050		50mm	-	8	-	8	8	-	-	-	-	-	-	-	-
S1050 w 65mm MPV		65mm	-	12	-	12	20	-	-	-	-	8	4	4	
S1200		50mm	-	-	8	8	8	-	-	-	-	-	-	-	
S1200 w 65mm MPV		65mm	8	-	12	12	20	-	-	-	-	8	4	4	
S1200 with 80mm MPV (Praher Valve)		-	8	8	20	6	32	4	2	8	4	-	-	-	
S1200 with 80mm MPV (Waterco Valve)		80mm	12	4	20	12	28	-	-	-	-	12	4	4	
S1400 with 80mm MPV (Waterco Valve)		80mm	8	8	28	24	28	-	-	-	-	12	4	4	

Micron Side Mount Commercial Filters

Part Number	Product Description	Diagram Number
6209440	Man Hole Cover 4 Stud Complete	1
621621	Pressure Gauge Dry 600KPA/90PSI Bottom Mount	2
6340939	Hex Nut M16 (4 required)	3
6340937	Washer M16 S/S304 (8 required)	4
6209430	Lid Yoke Lacron (2 required)	5
6209443	O'Ring Manhole Cover Oval 4 Stud - Waterco	7
6209442	Manhole Cover only Oval 4 Stud - Waterco	9
6340412	O'Ring BS113 (4 required)	10
634024B	Half Union 50mm W/O'Ring (2 required) - Black	12/13
6340803	80mm Half Union Black (2 required)	12/13
6340801	100mm Half Union Black (2 required)	12/13
6302550	O'Ring B/U 80mm	14
6302553	O'Ring B/U 100mm	14
6209303	Drain Plug complete 40mm	15/16/17/18
620940	Funnel For Port Size 3" & 4" (80mm & 100mm) (4 required)	19
620223	Air Relief Tube Screen	20
6202200	Air Relief Kit MK2	
86172	Gulfstream Plug (only 2 required)	21
620221	Air Relief Valve	22
AXFI168	Knob & Bolt (opal)	
63450502	Lid 12"	24
6209291	Lid 8" Clear	
62026	O'Ring BS369 Silicone T/L Lid MK3	
62024BLK	Lock Ring 52mm	
620232	Lock Ring 12"	25
6202321	Screwed handle for 12" lock ring (4 required)	26
63406565B	Half union 65mm c/w O'ring (2 required)	27
620233	Filter Lid 16"	
6209293	Lock Ring 16"	
6211031	Lid O'ring 16"	
620927	Bulkhead Assembly 50mm Black	
12226500	Bulkhead Assembly 65mm Black	
122282	Bulkhead 80mm	
6208921	80mm Manifold	
6208920	65mm Manifold	



Part No:	Manifold	LATERALS				Lateral End Cap Nut	Lateral End Plug (male)	Hrz Cross Tee	Hrz LCT Extension	Hrz LCT End Cap	Extension Arm	Cap Body	Cap Nut
		75mm	110mm	145mm	200mm								
SM1050 65mm Port	65mm	8	16	-	12	20	-	-	-	-	8	4	4
SM1050	80mm	8	20	10	4	32	4	2	8	4	-	-	-
SM1200 65mm Port	65mm	16	4	20	12	28	-	-	-	-	12	4	4
SM1200	-	2	26	8	6	32	4	2	8	4	-	-	-
SM1400	-	8	8	36	14	48	4	2	12	4	-	-	-
SM1600 80mm Port	-	4	16	42	18	48	4	2	12	4	-	-	-
SM1600 100mm Port	-	10	22	22	38	-	60	-	-	-	-	-	-
SM1800	-	8	42	22	68	-	76	-	-	-	-	-	-
SM2000	-	2	52	20	74	-	80	-	-	-	-	-	-
SM2200 100mm Port	-	20	34	78	88	-	96	-	-	-	-	-	-
SM2200 150mm Port	-	64	34	30	88	-	96	-	-	-	-	-	-

SD Series Deep Bed Filter

Part Number	Product Description	Diagram Number
22440251	Tank and Under Drain Assembly SD400	
22450251	Tank and Under Drain Assembly SD500	
22460251	Tank and Under Drain Assembly SD600	
2247501	Tank and Under Drain Assembly SD750	
621630	Pressure Gauge Back Mount (Oil Filled) 400kPa	
621632	Pressure Gauge Bottom Mount (Oil Filled) 400kPa	
620892	Manifold 40mm	
620893	Manifold 50mm	
620221	Air relief valve	
6209293	Lock ring 16" for SD1200/SD1400 80mm valve	1
6202321	Screwed handle for lock ring 12"/16"	2
6209302	Drain Plug 15mm	3/4/5/6

Manifold, Laterals & End Caps - 6" neck (Pre 2007)

Part Number	Product Description	Diagram Number
SD400		
620892	40mm Manifold	
620921	75mm laterals threaded (8 required)	
620925	End Cap - female (8 required)	
SD500		
620892	40mm Manifold	
620922	110mm laterals threaded (8 required)	
620925	End Cap - female (8 required)	
SD600		
620892	40mm Manifold	
620921	75mm laterals threaded (8 required)	
620922	110mm laterals threaded (8 required)	
620925	End Cap - female (8 required)	
SD750		
620893	50mm Manifold	
620921	75mm laterals threaded (8 required)	
620923	145mm laterals threaded (8 required)	
620925	End Cap - female (8 required)	

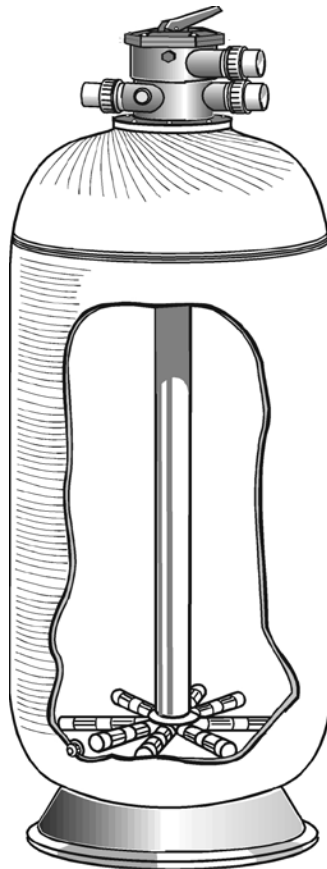
Manifold, Laterals & End Caps - 4" neck

Part Number	Product Description	Diagram Number
SD400 (year 2007)		
6209211	Lateral straight (2 required)	
6209221	Centre stem divertor (1 required)	
6209250	Lateral socket (1 required)	
6209231	Lateral locator (1 required)	
SD400 (post Nov 2009)		
620881	40mm Manifold hexagonal	
6209224	120mm capped laterals (6 required)	
SD500		
620881	40mm Manifold hexagonal	
6209218	40mm capped laterals (6 required)	
6209224	120mm open laterals (6 required)	
SD600		
620881	40mm Manifold hexagonal	
6209219	60mm capped laterals (6 required)	
6209224	120mm open laterals (6 required)	
SD750		
620893	50mm Manifold threaded	
620921	75mm laterals threaded (8 required)	
620923	145mm laterals threaded (8 required)	
620925	End Cap - female (8 required)	
SD900		
620893	50mm Manifold	
620923	145mm laterals threaded (16 required)	
620925	End Cap - female (8 required)	

SD Series Deep Bed Filter (continue)

Manifold, Laterals & End Caps - 4" neck (Continue)

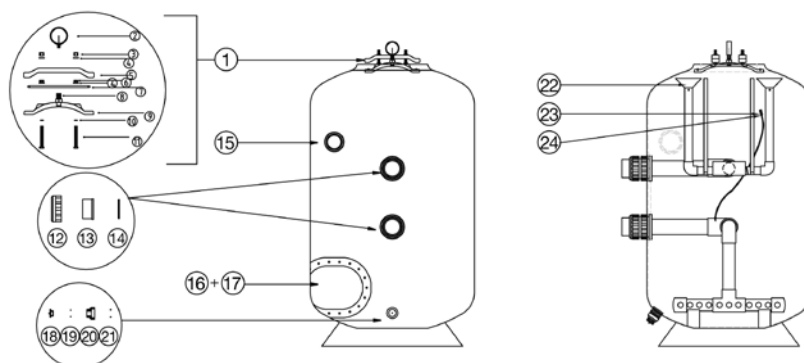
Part Number	Product Description	Diagram Number
SD1200		
80mm Manifold		
620921	75mm laterals threaded (12 required)	
620922	110mm laterals threaded (4 required)	
620923	145mm laterals threaded (20 required)	
620924	200mm laterals threaded (12 required)	
620925	End Cap - female (28 required)	
6209307	Cap Body (4 required)	
6209308	Cap Nut (4 required)	
SD1400		
80mm Manifold		
620921	75mm laterals threaded (8 required)	
620922	110mm laterals threaded (8 required)	
620923	145mm laterals threaded (28 required)	
620924	200mm laterals threaded (24 required)	
620925	End Cap - female (28 required)	
6209307	Cap Body (4 required)	
6209308	Cap Nut (4 required)	



Part No:	Manifold	620921	620922	620923	620924	620925	6209251	6208931	6208932	6208933
		LATERALS				Lateral End Cap (female)	Lateral End Plug (male)	HRZ Cross Tee	HRZ LCT Extension	HRZ LCT End Cap
Model		75mm	110mm	145mm	200mm					
SD400	40mm	8	-	-	-	8	-	-	-	-
SD500	40mm	-	8	-	-	8	-	-	-	-
SD600	40mm	8	8	-	-	8	-	-	-	-
SD750	50mm	8	-	8	-	8	-	-	-	-

SMD / SMDD Side Mount Deep Bed Filters

Part Number	Product Description	Diagram Number
6209440	Man Hole Cover 4 Stud Complete	1
621632	Pressure Gauge Bottom Mount (Oil Filled) 400kPa	2
621621	Pressure Gauge Dry 600KPA/90PSI Bottom Mount	2
6340939	Hex Nut M16 (4 required)	3
6340937	Washer M16 S/S304 (8 required)	4
6209430	Lid Yoke Lacron (2 required)	5
W12324	Hex Thin Nut (4 required)	6
6209443	O'ring Manhole Cover Oval 4 Stud - Waterco	7
6209443	O'Ring Oval Lid 4-Stud	7
W12724	S/S Screw 1" BSW Male 1/4" BSP Female Thread	8
6209442	Manhole Cover only Oval 4 Stud - Waterco	9
6340412	O'Ring BS113 (4 required)	10
6340938	Hex Bolt N16X120mm (4 required)	11
634024B	Half Union 50mm W/O'Ring (2 required) - Black	12/13
6340803	80mm Half Union Black (2 required)	12/13/14
6340801	100mm Half Union Black (2 required)	12/13/14
6302550	O'Ring B/U 80mm	14
6302553	O'Ring B/U 100mm	14
62380	Sight Glass 3" Complete (Pre 2008)	15
W12132	Sight Glass 3" Acrylic Cap (Pre 2008)	15
6209470	Side Manhole Cover 18 Hole Oval	16
6209491	Side Hatch Round 200mm	16
6209471	Gasket for Side Manhole Oval 18 Hole	17
6209492	O'Ring G210 for Side Hatch Round 200mm	17
6209302	Drain Plug complete 15mm	18/19/20
6209303	Drain Plug complete 40mm	18/19/20
6209305	Drain Plug complete 50mm	18/19/20
620936	Drain Plug Assembly Connector 1" BSPT	
64479	O'Ring 40mm B/U EPDM	21
620940	Funnel For Port Size 3" & 4" (80mm & 100mm) (4 required) & 50mm	22
621013	Funnel for Port Size 6" (150mm) (4 required)	22
620223	Air Relief Tube Screen	23
86172	Gulfstream Plug (2 required)	24
620951	Underdrain SMDD1600 (100mm port) threaded pipe 3'/endcap/tee (2pcs per set)	
620228	2" Air Release Vlv Ari A-D-40L-50-P	
620230	1" Air Release Vlv ARI A-DG-10-25-P	
620229	Lock Nut 1 1/2" BSP for easy Air Relief Outlet	
6209242	Air Scour Lateral Pipe Slotted 250x0.2mm W/Cap&Skt	
6209476	M/hole Cover 420x320 W2" ARV Port	
6209441	M/hole Cover 420x320 4Stud C/W 2" ARV PORT, complete W Oring & Yokes	
6209440	M/hole Cover 420x320 4Stud Complete W Oring & Yokes	
6209472	M/hole Cover 600x400 Complete w Oring & Yokes	
63450502	Lid 12" Sia SM Commercial Filters	
620232	Filter lock Ring 12"	
6202321	Handle Opal XL Lid / 12 & 16" Lock ring	
620233	Filter Lid 16"	
6209293	Filter Lock Ring 16"	
6211031	O'ring 406.5 x 12.0mm	
620927	Bulkhead Assembly 50mm Black	
12226500	Bulkhead Assembly 65mm Black	
122282	Bulkhead 80mm	
6209243	Lateral Pipe Slotted 110x0.2mm w/cap & skt	
6209242	Lateral Pipe Slotted 250x0.2mm w/cap & skt	
6209244	Lateral Pipe Slotted 325x0.2mm w/cap & skt	

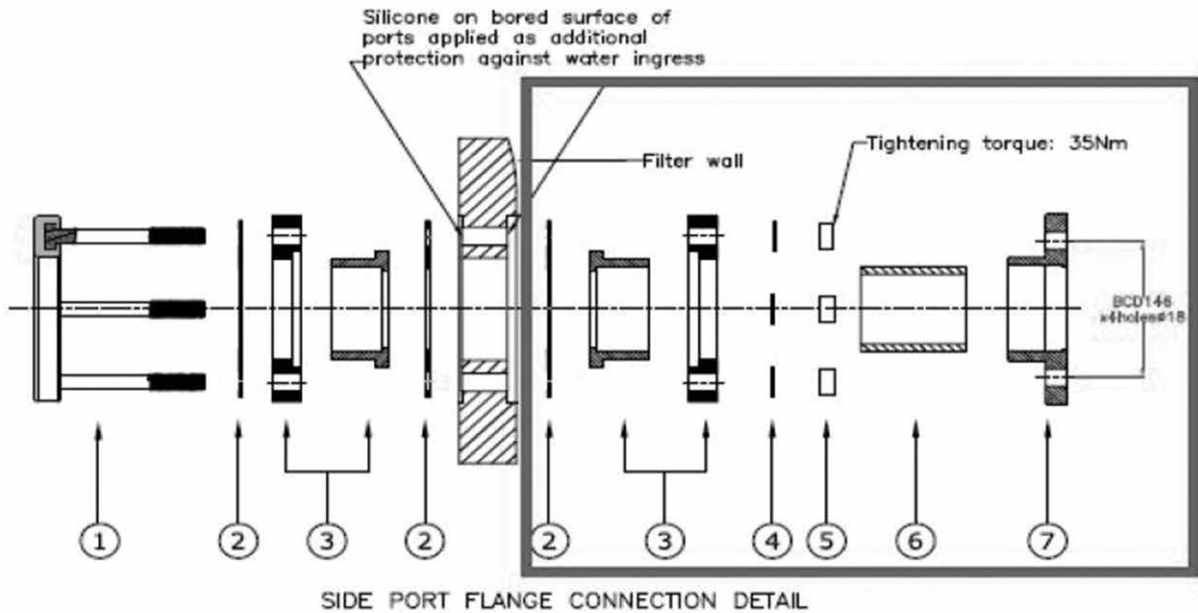


SMD / SMDD Side Mount Deep Bed Filters (continue)

Part No:	Manifold	620921	620922	620923	620924	620925	6209251	6208931	6208932	6208933	6200912	#W02269BLK	#W02270BLK
		LATERALS				Lateral End Cap Nut	Lateral End Plug (male)	HRZ Cross Tee	HRZ LCT Extension	HRZ LCT End Cap	Extension Arm	Cap Body	Cap Nut
Model		75mm	110mm	145mm	200mm								
SMD/SMDD400	40mm	8	-	-	-	8	-	-	-	-	-		
SMD/SMDD500	40mm	-	-	8	-	8	-	-	-	-	-		
SMD/SMDD600	40mm	8	8	-	-	8	-	-	-	-	-		
SMD/SMDD750	50mm	8	-	8	-	8	-	-	-	-	-		
SMD/SMDD900 50mm Port	50mm	8	-	-	8	8	-	-	-	-	-		
SMD/SMDD900 80mm Port	-	4	22	4	2	36	4	2	8	4	-		
SMD/SMDD1050 50mm Port	50mm	-	8	8	-	8	-	-	-	-	-		
SMD/SMDD1050 65mm Port	65mm	8	16	-	12	20	-	-	-	-	8	4	4
SMD/SMDD1050 80mm Port	-	8	20	10	4	32	4	2	8	4	-		
SMD/SMDD1200 50mm Port	50mm	8	-	-	16	8	-	-	-	-	-		
SMD/SMDD1200 65mm Port	65mm	16	4	20	12	28	-	-	-	-	12	4	4
SMD/SMDD1200 80mm Port	-	2	26	8	6	32	4	2	8	4	-		
SMD/SMDD1200 80Port wLateral manhole#620947	-	3	6	25	6	32	4	2	8	4	-		
SMD/SMDD1200 100mm Port	-	4	4	4	36	-	48	-	-	-	-		
SMD/SMDD1400 80mm Port	-	8	8	36	14	48	4	2	12	4	-		
SMD/SMDD1400 100mm Port	-	10	8	12	32	-	52	-	-	-	-		
SMD/SMDD1600 80mm Port	-	4	16	42	18	48	4	2	12	4	-		
SMD/SMDD1600 100mm Port	-	10	22	22	38	-	60	-	-	-	-		
SMD/SMDD1600 150mm Port	-	18	8	80	14	-	68	-	-	-	-		
SMD/SMDD1800 100mm Port	-	8	42	22	68	-	76	-	-	-	-		
SMD/SMDD1800 150mm Port	-	46	4	22	68	-	76	-	-	-	-		
SMD/SMDD2000 100mm Port	-	2	52	20	74	-	80	-	-	-	-		
SMD/SMDD2000 150mm Port	-	22	54	30	68	-	80	-	-	-	-		
SMD/SMDD2000 150Port wLateral manhole #620947	-	22	53	29	68	-	80	-	-	-	-		
SMDD2200 150mm Port	-	64	34	30	88	-	96	-	-	-	-		
SMD/SMDD2350 150mm Port	-	4	62	42	122	-	104	-	-	-	-		
SMD/SMDD2500 150mm Port	-	54	4	20	160	-	108	-	-	-	-		

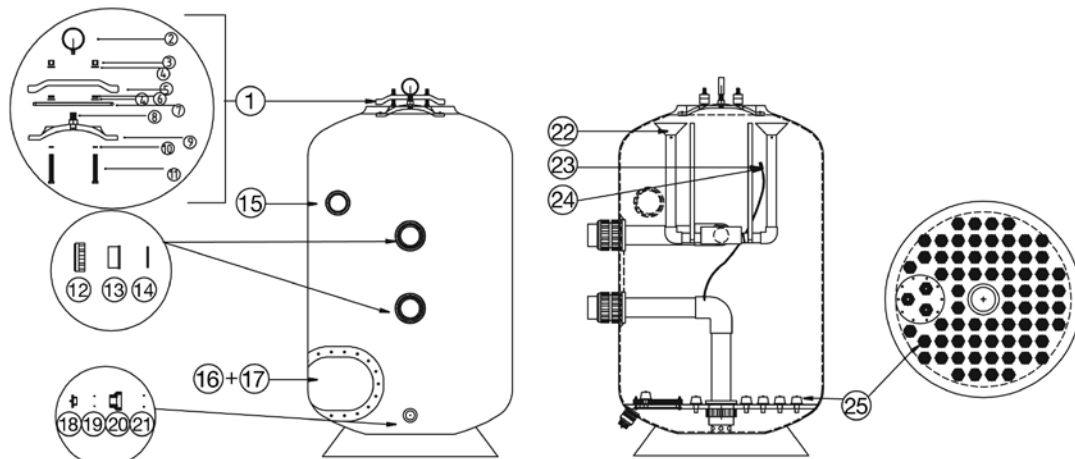
Flange Assembly

Part Number	Product Description	Diagram Number
1216804	Stud Ring 3" W/5/8"BSW Bolts	1
12161008	Stud Ring 4" Ansi W/5/8"BSW Bolts	1
1216252	Flange 250mm 10" SCH80 PVC Van Stone	
1216250	Flange 250mm 10" Table E PVC	
1115080	Pipe 6" x 6m ANSI SCH 80 Grey	
11250121	Pipe 10" ANSI x 300mm Length	
1216801	Flange Gasket 3"	2
63453063	Flange Gasket 4"	2
12161501	Flange 150mm ANSI 6" PVC SCH80	
12161506	Stub Flange 6" 150mm PVC Table E	
1216803	PVC Stub Flange 3"	3
12161004	PVC Stub Flange 4"	3
12161501	Flange 150mm ANSI 6" PVC Sch80	
12161506	Stub Flange 6" 150mm PVC Table E	
1216802	Backing Ring 3"	3
12161006	Backing Ring 4"	3
12161502	PVC Backing Ring Drilled 6" ANSI	
12162503	Backing Ring 10" ANSI PVC	
63409370	Washer 5/8"x1 1/4"x14G M16 SS304 for 3" & 4"	4
63409372	Washer Flat M20 3mm Thk SS304	
63409373	Washer 7/8"x2"x12G SS316	
63409389	Nut Hex STD 5/8" SS304 for 3" & 4"	5
63409392	Nut Hex STD 3/4" SS304	
63409393	Nut Hex 7/8" UNC SS316	
121681	Flange 80mm AS2129 Table E	7
1216100	Flange PVC 100mm BS4504 PN16	7
12161508	Flange Ring 6" ANSI w 8x3/4"BSW Studs	
12162502	Flange Ring 10" ANSI w 12x7/8" UNC Studs	



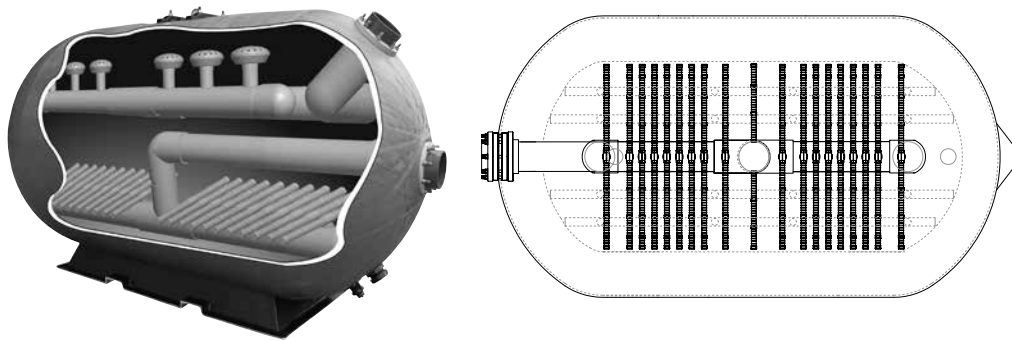
SPDD Side Mount Deep Bed Commercial Filters

Part Number	Product Description	Diagram Number
6209440	Man Hole Cover 4 Stud Complete	1
621621	Pressure Gauge Dry 600KPA/90PSI Bottom Mount	2
6340939	Hex Nut M16 (4 required)	3
6340937	Washer M16 S/S304 (8 required)	4
6209430	Lid Yoke Lacron (2 required)	5
W12324	Hex Thin Nut (4 required)	6
6209443	O'Ring Manhole Cover Oval 4 Stud - Waterco	7
W12724	S/S Screw 1" BSW Male 1/4" BSP Female Thread	8
6209442	Manhole Cover only Oval 4 Stud - Waterco	9
6340412	O'Ring BS113 (4 required)	10
6340938	Hex Bolt N16X120MM (4 required)	11
6340803	Half Union 80mm Black (2 required)	12/13/14
6340801	Half Union 100mm Black (2 required)	12/13/14
6302550	O'Ring B/U 80mm	14
6302553	O'Ring B/U 100mm	14
62380	Sight Glass 3" Complete (Post 2008)	15
6209470	Side Manhole Cover 18 Hole Oval	16
6209491	Side Hatch Round 200mm	16
6209471	Gasket for Side Manhole Oval 18 Hole	17
6209492	O'Ring G210 for Side Hatch Round 200mm	17
64479	O'Ring 40mm B/U EPDM	21
620940	Funnel For Port Size 3" & 4" (80mm & 100mm) (4 required)	22
621013	Funnel for Port Size 6" (150mm) (4 required)	22
620223	Air Relief Tube Screen	23
6209303	Drain Plug 40mm (Sand Drain Assy)	
6209305	Drain Plug complete 50mm	18/19/20
620936	Drain Plug Assembly Connector 1" BSPT	
620226	2" Kinetic Air Release Valve	
86172	Gulfstream Plug (2 required)	24
6209405	Filter Nozzle	25
620228	2" Air Release VIV Ari A-D-40L-50-P	
620220	Air Relief Repair Kit (internal Commercial Filters)	
620229	Lock Nut 1 1/2" BSP for easy Air Relief Outlet	
6209242	Air Scour Lateral Pipe Slotted 250x0.2mm W/Cap&Skt	
6209476	M/hole Cover 420x320 4Stud W S/S 2" BSP Female Thread Air Relief Port	
6209440	M/hole Cover 420x320 4Stud Complete W Oring & Yokes	
6209472	M/hole Cover 600x400 Complete w Oring & Yokes	
63450502	Lid 12" Sia SM Commercial Filters	
63450502	Numbers of nozzles required for model:- SPDD1050 (80mm port) - 59 required SPDD1200 (80mm port) - 71 required SPDD1400 (100mm port) - 101 required SPDD1600 (100mm port) - 139 required SPDD1800 (150mm port) - 187 required SPDD2000 (100mm port) - 247 required SPDD2000 (150mm port) - 239 required SPDD2350 (150mm port) - 317 required	



Hydron Commercial Filter

Part Number	Product Description	Diagram Number
12221001	Barrel Union Tail 100mm	
12221003	Barrel Union Locking Nut	
6302553	100mm Union O'ring	
620945	Man Hole Cover - Trapezium (c/w metal clamp & O'Ring)	
620946	Hydron Commercial Lid Gasket - Trapezium	
6209472	Man Hole Cover 600 x 400 Oval MK2 Complete	
6209446	O'ring Man Hole Cover 600mm Oval	
620221	Air Relief Valve	
621621	Pressure Gauge Dry 600KPA/90PSI Bottom Mount	
6209303	Drain Plug 40mm complete	
620936	Drain Plug Assembly Connector 1" BSPT	
6209306	Drain Plug 80mm complete	
620921	75mm Laterals Threaded	
620923	145mm Laterals Threaded	
620924	200mm Laterals Threaded	
6209251	Lateral Plug Nut (male)	
6209450	Steel Clamp Manhole Cover for MD2500	
6209405	Filter Nozzle for MD10000 (250mm port) 617 required	



Pre 2007

Part No:	620921	620922	620923	620924
Model	Lateral 75mm	Lateral 110mm	Lateral 145mm	Lateral 200mm
M2500	-	-	36	36
M3750	-	-	58	58
M5000	-	-	84	84

Pre 2010

Part No:	620921	620922	620923	620924
Model	Lateral 75mm	Lateral 110mm	Lateral 145mm	Lateral 200mm
MD6500	-	60	-	120

Looped Pipework

Part No:	620921	620922	620923	620924
Model	Lateral 75mm	Lateral 110mm	Lateral 145mm	Lateral 200mm
M2500	-	-	36	36
M3750	116	-	-	58
M5000	168	-	-	84
M6500	-	-	-	120
MD6500	68	-	8	120
MD10000	208	104	4	120

Post 2011

Part No:	620921	620922	620923	620924	6209251
Model (T-Style)	Lateral Underdrain				
	75mm	110mm	145mm	200mm	End Cap Screw
M2500	-	4	-	64	34
M3750 (150mm)	-	4	-	100	46
M5000	-	-	6	134	70
MD5000	28	12	26	72	38
MD5500 (6")	36	-	38	76	38
MD5500 (8")	28	-	30	60	30
MD6500 (8")	36	-	38	76	38
MD8000	52	-	58	116	58
MD10000	-	68	70	140	70

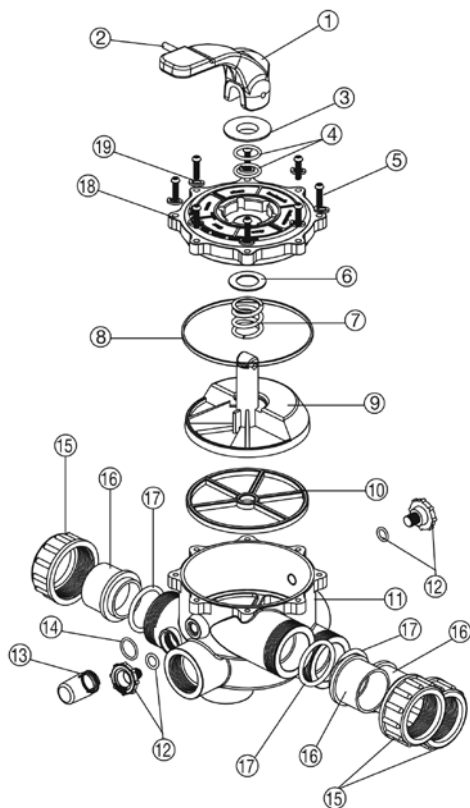
Multiport Valves

- 40mm Waterco Valve (Grey Or Black) 228042/229042/2390495

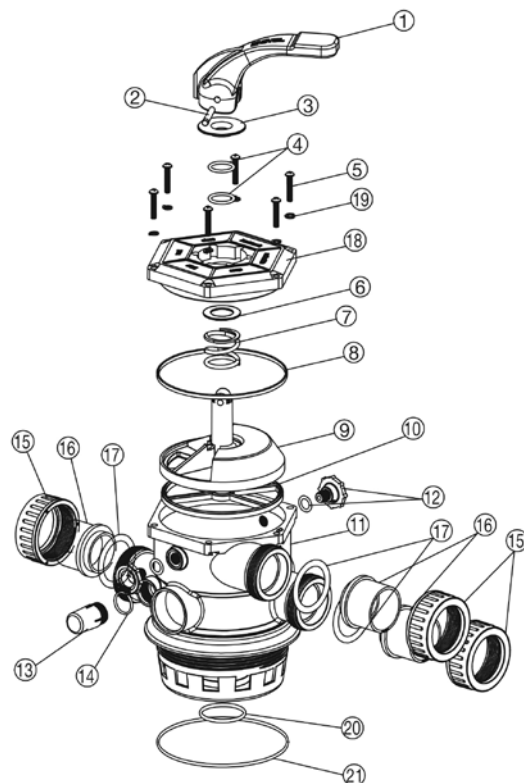
Part Number	Product Description	Diagram Number
621451	Handle	1
621111	Handle Pin	2
621452	Teflon Ring	3
621453	Top Cover (Top Mount)	18
621467	Top Cover MK11 (Side Mount)	18
621454	Top Cover Gasket	8
621464	Top Cover Bolt (Set of 6)	5
621465	Top Cover Nut (Set of 6)	5
621455	Teflon Spring Washer (2 required)	6
621456	Spring	7
621457	Axle O'Ring (2 required)	4
621458	Rotor	9
621460	Spider Gasket (5 spoke) (suits alternate)	10
62146	Body (Top Mount) - inc Spider Gasket	10/11
229042	MPV Body SM 40mm SF Slip Fit	11
2290421	MPV Body SM 40mm SF male/female BSP	11
620221	Air Release Valve and O'Ring	12
621462	Sight Glass Gasket	14
621463	Sight Glass	13
62100	Valve to Tank O'Ring	21
621450	MPV Centre Stem O'Ring (TM)	20
122243B	40mm Half Union Black c/w O'ring	15/16/17
64479	Half Union O'Ring - 40mm	17
621449	Top Assembly Complete - 40mm (Includes nuts & bolts)	1-9

40mm Old Style Valve - Pre 9/92

62110	Handle	1
621111	Handle Pin	2
621201	Valve Axle O'Ring (2 required)	10
62125	Spider Gasket	12
620221	Air Release Valve	17
62100	Valve to Tank O'Ring	n/s
*Parts are subject to availability		



229042

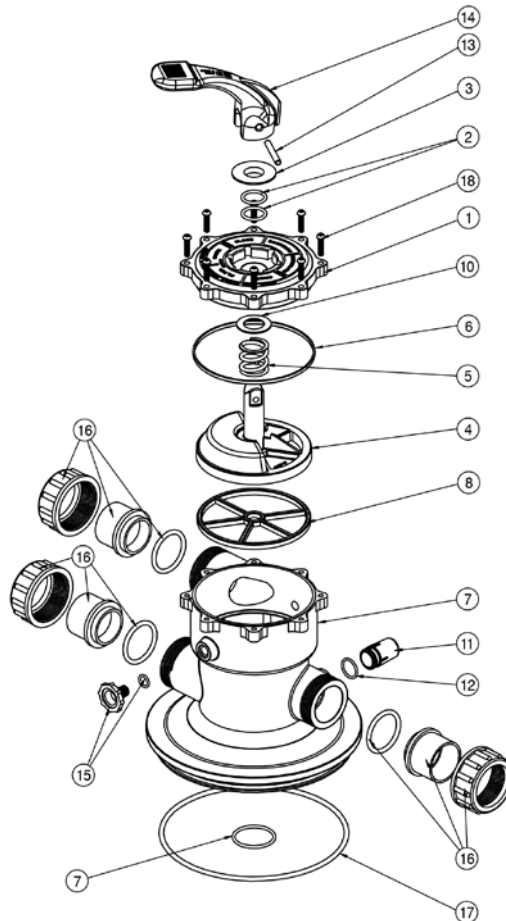


228042

Multiport Valves

- 40mm 6 Way Collar Type 2280443

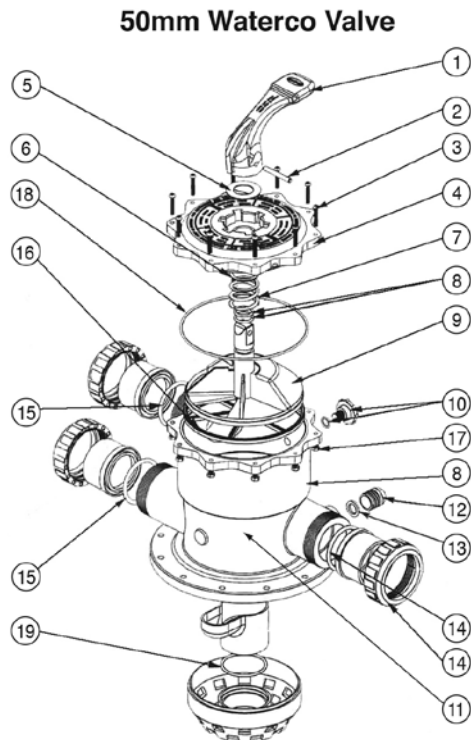
Part Number	Product Description	Diagram Number
621467	Top Cover	1
621457	Axle O'Ring - BS214	2
621452	Teflon Ring	3
621458	Rotor	4
621456	Spring	5
621454	Top Cover Gasket	6
6214601	Spider Gasket	8
621450	O'Ring Centre Stem - BS225	9
621455	Teflon Spring Washer	10
621463	Sight Glass	11
621462	Sight Glass Gasket	12
621111	Handle Pin	13
621451	Handle	14
620221	Air Release Valve c/w O'Ring	15
122243B	Half Union 40mm c/w O'Ring	16
64479	Half Union O'Ring - 40mm	16
620265	O'Ring G225	17
621464	Top Cover Bolt (Set of 6)	18
621465	Top Cover Nut (Set of 6)	18
620196	Lock ring 10" Sand Filter (collar between MPV & tank)	
622602	Square nut for clamp (T series clamp)	
621373	Bolt for clamp (T series clamp)	
6214492	MPV 40mm Top Assembly Kit - consisting of:-	
	Top Cover	} consists of
	Axle O'Ring	
	Teflon Ring	
	Valve Teflon Ring	
	Rotor without groove	
	Spring	
	Top Cover Gasket	
	Handle	
	Handle Pin	



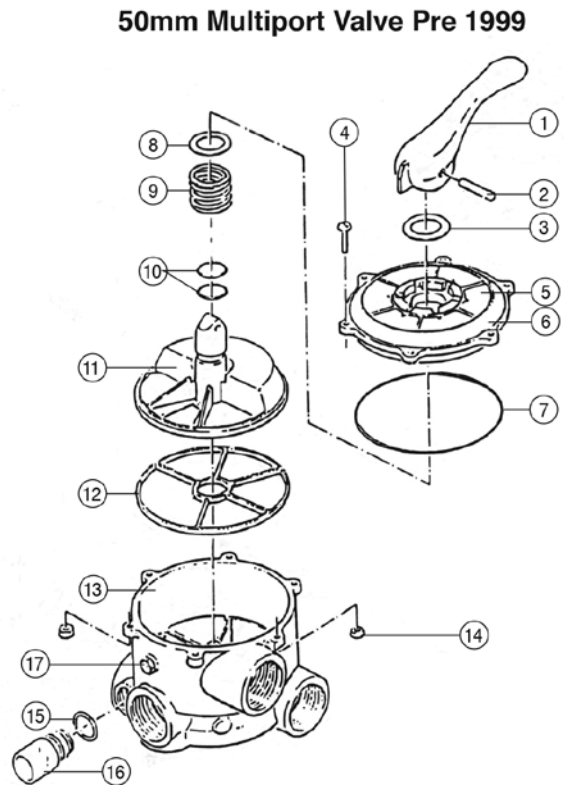
Multiport Valves

- 50mm Waterco Valve TM and SM 228053 + 2290512

Part Number	Product Description	Diagram Number
621451	Handle	1
621111	Handle Pin	2
621372	Bolt M6x32mm S/S 304 - set of 10	3
6211303	Lid MPV 50mm	4
621105	Teflon Washer	5
621161	Teflon Spring Washer	6
621181	Spring	7
621201	Valve Axle O'Ring (2 required)	8
621231	Rotor	9
620221	Air Release Valve and O'Ring	10
621302	Body - inc Spider Gasket (Top Mount)	11
621381	Sight Glass	12
621341	Sight Glass Gasket	13
634024B	Half Union 50mm W/O'Ring (2 required) - Black	14
6340241	50mm Half Union O'ring	15
621261	Spider Gasket (Black)	16
62135	Top Cover Nuts (Set of 10)	17
62115	Top Cover O'Ring	18
621320	Centre Stem O'Ring	19
62101	Valve Plate Tank Gasket	n/s
62132	Top Assembly Complete - 50mm (includes nuts&bolts)	1-9 & 18
50mm Multiport Valve - Pre 1999		
62110	Handle	1
62115	Top Cover O'Ring	7
621201	Valve Axle O'Ring (2 required)	10
62126	Spider Gasket (Black)	12
620221	Air Release Valve c/w O'Ring	17
62102	Dome Nut/Washer Set (12)	
62101	Valve Plate Tank Gasket	



228053

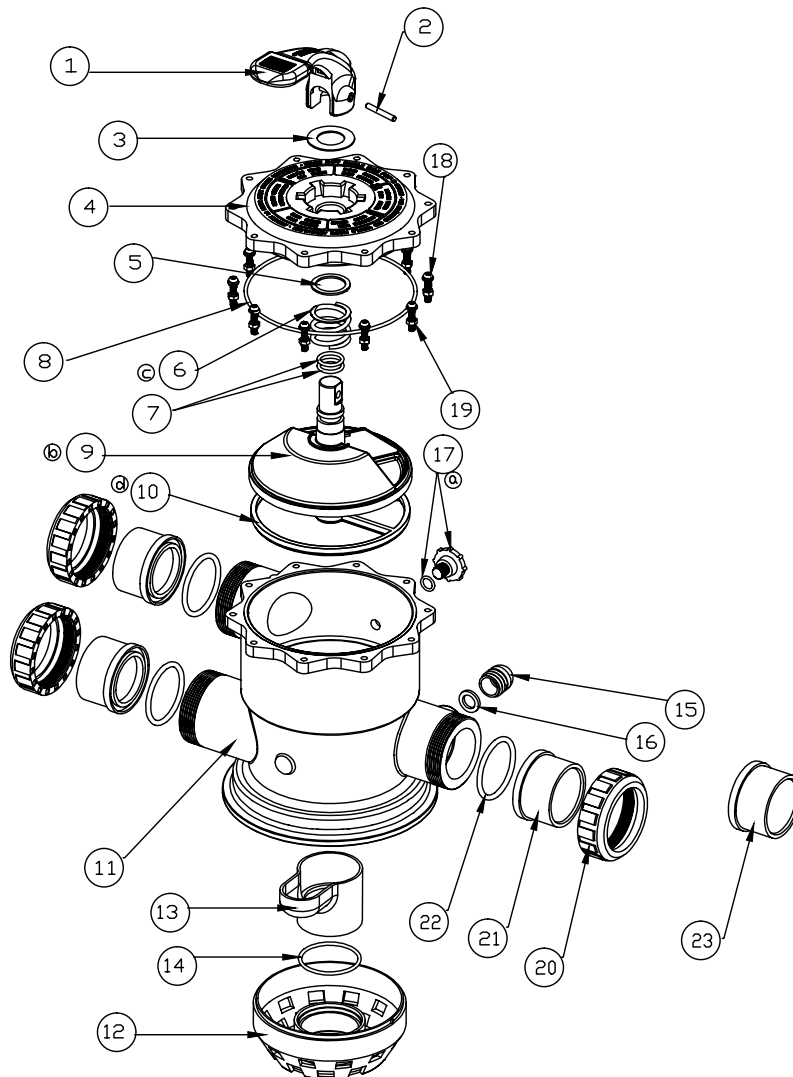


2290512

Multiport Valves

- 50mm Waterco Valve TM 228058

Part Number	Product Description	Diagram Number
6214511	Handle	1
621111	Handle Pin	2
W02627	MPV 50mm Rotor Washer (Big)	3
6211303	Lid MPV 50mm MK2	4
W02628	MPV 50mm Rotor Washer (Sml)	5
621183	MPV 50mm Spring 3.5 Coil 5.5mm	6
621201	MPV 50mm Valve Axle O'ring	7
621151	MPV 50mm Top O'ring	8
621237	Rotor & Gasket 70 Shore MPV 50mm MK2	9
W32020	MPV 50mm Rotor MK2	9
W32230	MPV 50mm Spider Gasket 70 Shore MK2	10
621305	MPV PM 50mm Body Assy 8" Clamp MK2	11
W44511	MPV 50mm Body 8" Clamp MK2	11
W22480	MPV 50mm Diffuser MK2	12
W22481	MPV 50mm Adapter MK2	13
621320	MPV 50mm Diffuser O'ring (L)	14
621381	MPV 50mm Sight Glass	15
621341	MPV 50mm Sight Glass Gasket	16
620221	Air Relief Valve - Black	17
W12109	MPV 50/65/80mm Lid Bolt M6x30W	18
W02624	MPV 50mm Lid Nut M6x30W	19
W02083BLK	Locking Nut 50mm Black	20
W02081BLK	B/U P/End Slip/Slip 50mm Black	21
W02280	O'ring 50mm B/U Nitrile	22
6340244B	B/U Plain End Slip/Slip 63mm Metric Black	23

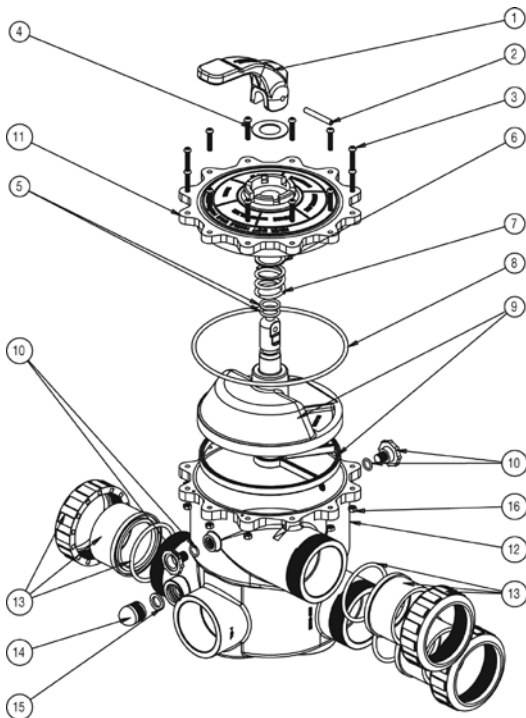


Multiport Valves

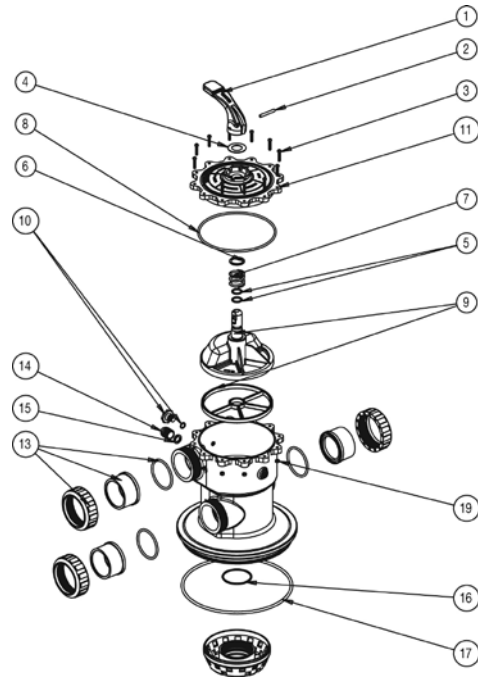
- 65mm Waterco Valve SM (22905010) and TM (2280600)

Part Number	Product Description	Diagram Number
65mm Side Mount / Top Mount		
621451	Handle	1
621111	Handle Pin	2
621372	Bolt M6x32mm S/S 304	3
621105	Rotor Washer	4
621201	Valve Axle O'Ring	5
621161	Teflon Spring Washer	6
621181	Spring	7
62021	Lid O'Ring	8
621233	Rotor and Gasket	9
620221	Air Release Valve (c/w O'ring) - Black	10
620193	Air Release Valve O'ring - BS112	10
6211302	Lid	11
63406554	Half Union O'Ring - BS338	12
644492	Half Union c/w O'Ring 65/80mm	13
621381	Sight Glass	14
621341	Sight Glass Gasket	15
621351	Lid Nut M6	16
12780	Coupling 80mm	n/s
22905011	Plumbing Kit 65mm W/O MPV	
65mm Top Mount		
621478	Screw M6x25mm	3
6340113	Centre Pipe O'ring (65mm Top Mount Only)	16
62027	O'Ring (Neck) - BS452 (65mm Top Mount Only)	17

65mm Side Mount



65mm Top Mount

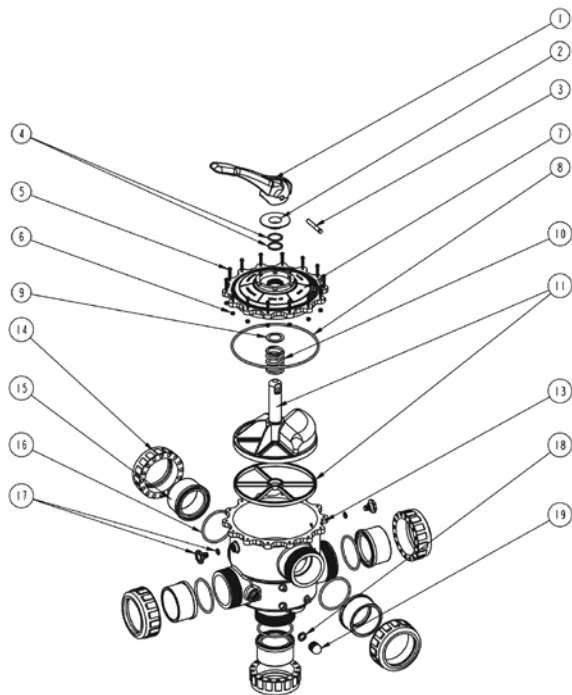


Multiport Valves

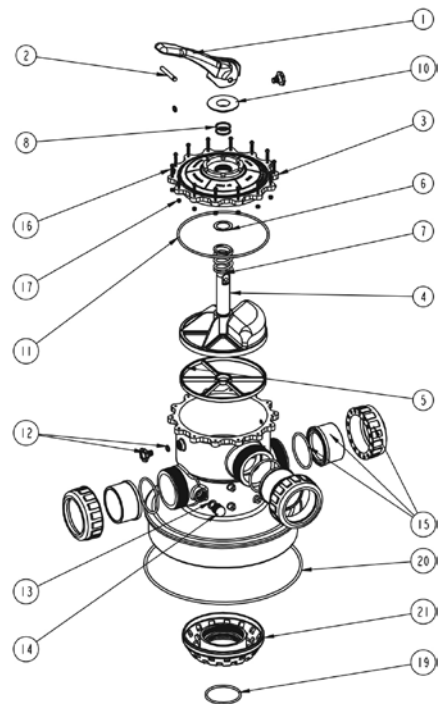
- 80mm Waterco Valve SM (2290820) and TM (228800)

Part Number	Product Description	Diagram Number
80mm Valve Side Mount / Top Mount		
621100	Handle	1
621193	Sleeve	2
6211020	Handle Pin	3
621202	Axle O'Ring (2 required)	4
621372	Bolt M6x32mm S/S 304	5
621351	Nut M6	6
6211310	Lid Printed	7
621142	Lid O' Ring - G245	8
6211060	Washer	9
621192	Spring 80mm	10
6212430	Rotor (W/O gasket)	11
621272	Spider Gasket	12
621293	Body	13
6340803	Half Union with O'Ring 80mm	14-16
6302550	Half Union O'Ring	16
620221	Air Release Valve with O'ring	17
621341	Sight Glass Gasket	18
621381	Sight Glass	19
2290891	Plumbing Kit 80mm SM W/O MPV	
80mm Waterco Valve Top Mount		
6211310	Lid Printed	3
6340803	Half Union with O'Ring	15
621371	Bolt M6x30	16
621194	Centre Stem (Diffuser) O'Ring - P90	19
6211031	O'Ring 406.5 X 12.0 mm	20
6211030	Neck Ring O'Ring	20
621292	TM Body	
621180	80mm Top Assy Kit	1 - 8, 10, 11, 16, 17
621013	Diffuser MPV 80mm	

80mm Waterco Valve Side Mount



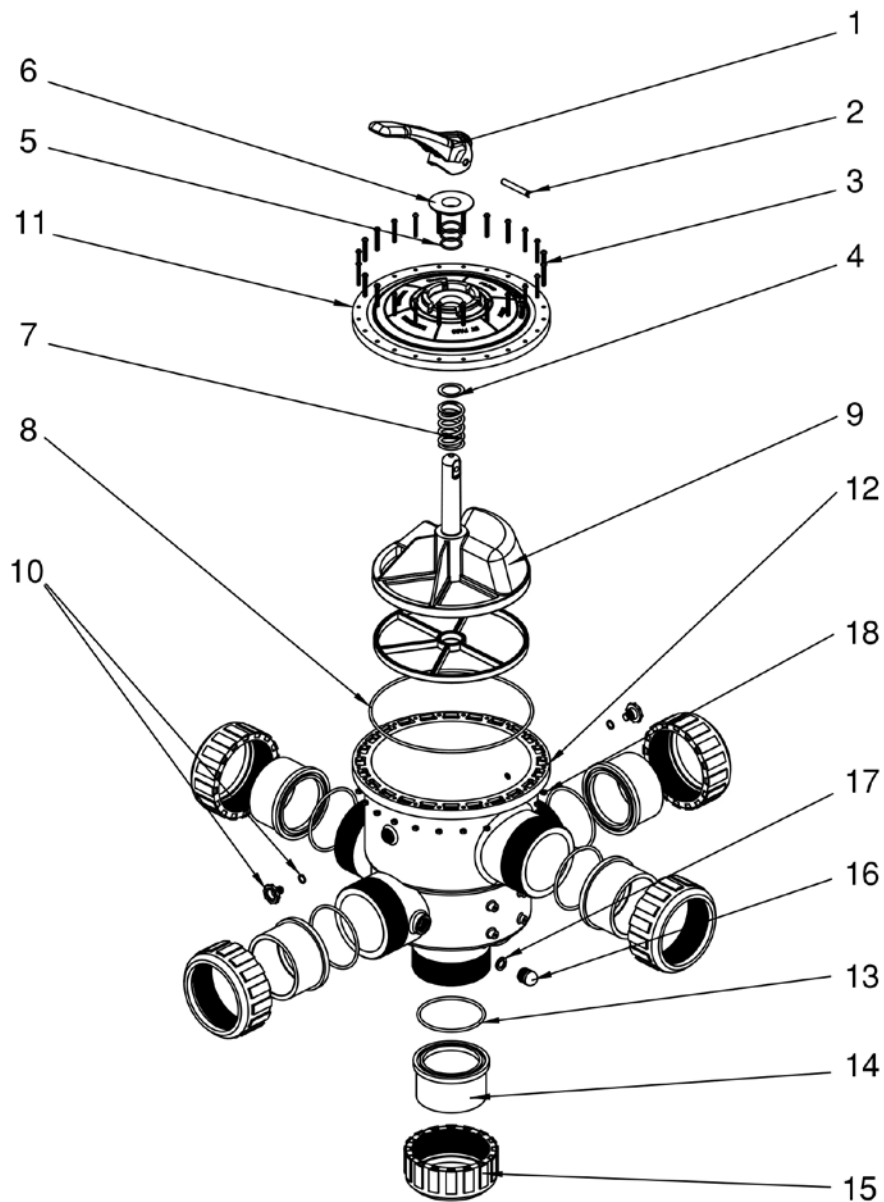
80mm Waterco Valve Top Mount



Multiport Valves

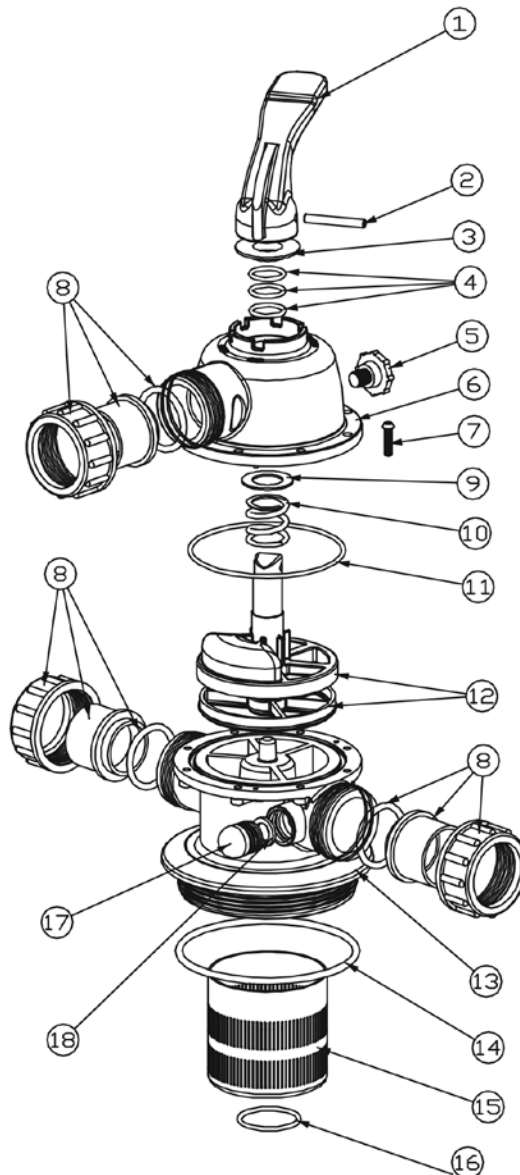
- Waterco 100mm MPV - SM (2291005)

Part Number	Product Description	Diagram Number
621100	Handle	1
6211020	Handle Pin	2
621373	Bolt M6x55mm	3
6211060	Washer	4
621202	Axial O'Ring (3 required)	5
621193	Sleeve	6
6211015	Spring	7
62110110	Lid O'Ring	8
62110221	Rotor & Spider Gasket Assembly	9
620221	Air Relief Valve with O'Ring (2 required)	10
6211028	Lid	11
6211029	Body	12
12221011	Barrel Union Plain End Black (5 required)	14
12221009	Barrel Union Lock Nut Black (5 required)	15
1222101	Barrel Union	13
621381	Sight Glass	16
621341	Sight Glass Gasket	17
621351	Nut (24 required)	18



Multiport Valves - 40mm 5 Way 6 Bar Valve 228026

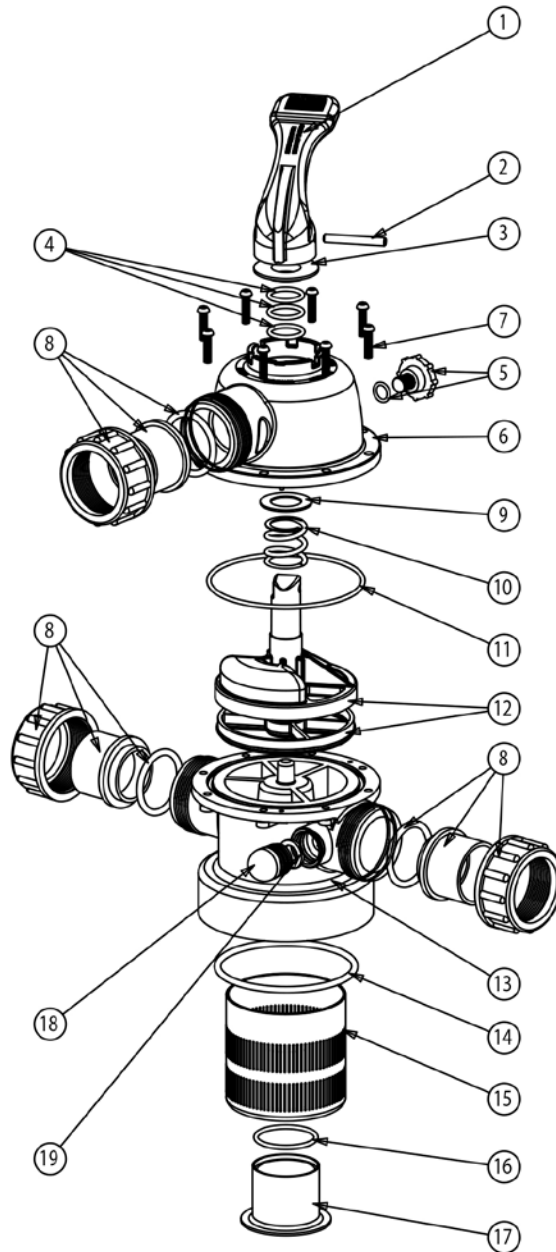
Part Number	Product Description	Diagram Number
621451	Handle	1
621111	Handle Pin	2
621452	Teflon Ring	3
621457	Axle O'Ring - BS214	4
620221	Air Release Valve c/w O'Ring	5
621480	Top Housing 5 Way 40mm MPV	6
621478	Screw M6x25 P/H (set of 8)	7
122243B	Half Union 40mm Black c/w O'Ring	8
64479	O'ring Half Union 40mm	8
621455	Spring Washer (Teflon)	9
621487	Spring	10
621479	O'Ring 125x4mm	11
621486	Rotor c/w Gasket 5 Way	12
621484	5 Way MPV Body 6 Bar 40mm BSP	13
62100	O'Ring 40mm MPV Valve to Tank	14
621473	Sleeve O'Ring	16
621381	Sight Glass	17
621341	Sight Glass Gasket	18
621474	40way MPV diffuser	15



Multiport Valves - 40mm 5 Way Collar Type 7 Bar Valve 2280262

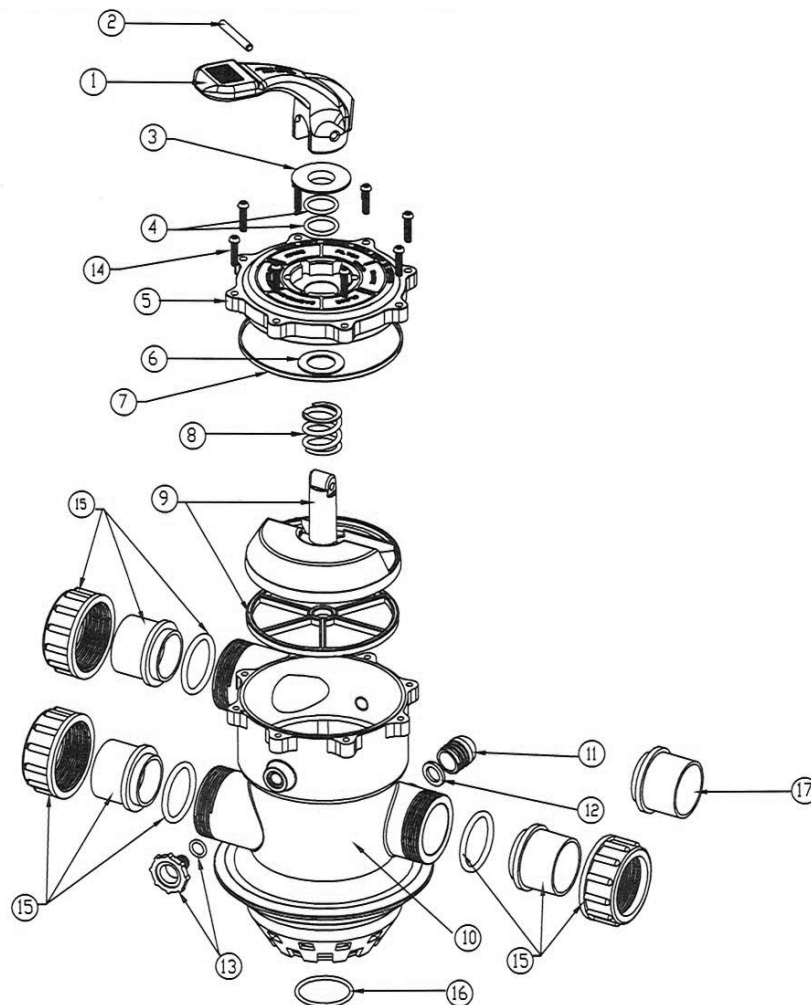
W, WD & SD Series

Part Number	Product Description	Diagram Number
6214511	Handle	1
621111	Handle Pin	2
621452	Teflon Ring	3
621457	Axle O'Ring - BS214	4
620221	Air Release Valve c/w O'Ring	5
6214802	Top Housing 5 Way 40mm MPV	6
621478	Screw M6x25 P/H (set of 8)	7
122243B	Half Union 40mm c/w O'Ring	8
621455	Teflon Spring Washer	9
621487	Spring	10
621479	O'Ring 125x4mm	11
6214862	Rotor c/w Gasket 5 Way	12
6214521	O'Ring MPV Collar Type BS348	14
6214522	O'Ring 48 X 3mm	16
621381	Sight Glass	18
621341	Sight Glass Gasket	19
W02688	40way MPV Diffuser	15
6214490	MPV 40mm 5 Way Top Assembly Kit	1 - 6, 9, 10, 12



Multiport Valves - TM 40mm Clamp 22804455 (Superseded By 22804456)

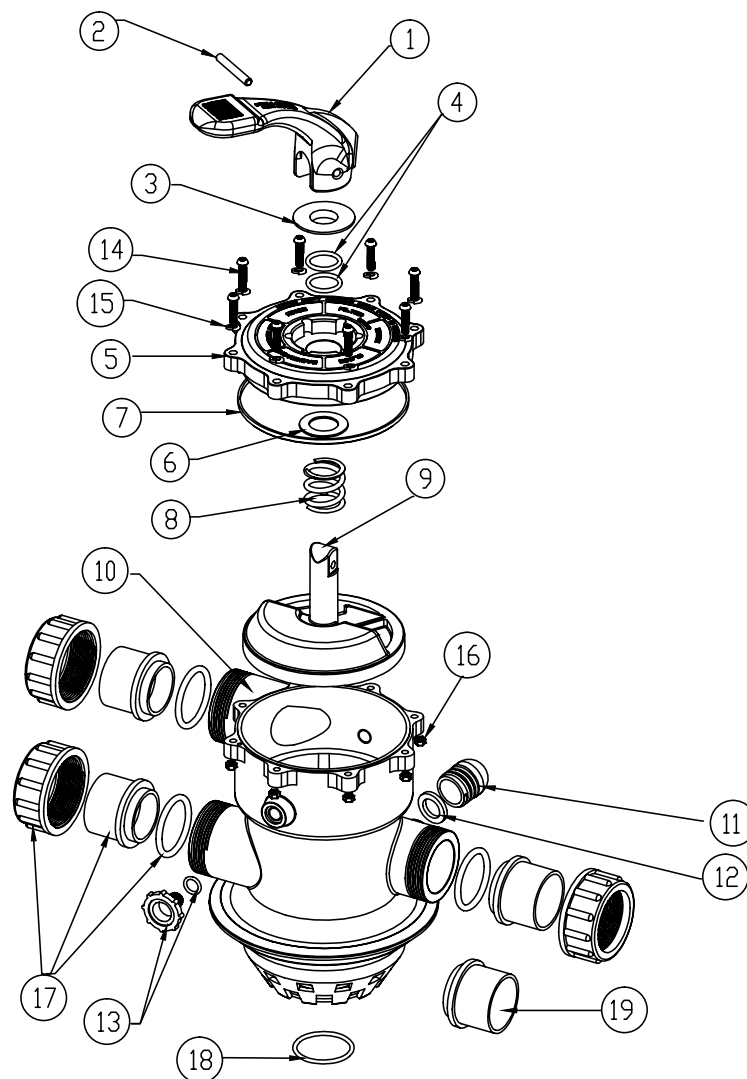
Part Number	Product Description	Diagram Number
6214511	Handle	1
621111	Handle Pin	2
621452	Teflon Ring	3
621457	Axle O'Ring - BS214	4
6214672	Lid MPV 40mm	5
621455	Spring Washer (Teflon)	6
621454	W/C Top Cover Gasket	7
621456	W/CO MPV Spring	8
6214582	Rotor W/Gasket MPV 40mm	9
W22046	MPV 40mm Rotor W/Groove MK2	
6214602	Spider Gasket 40mm TM MPV MK2	
6214450	MPV 6way Body Clamp Ext Thd MK2	10
W22085	MPV TM 40 Boday Calmp MK2	
W22063	MPV TM 40mm Diffuser MK2	
W22062	MPV TM 40mm Adaptor MK2	
W02691	O'Ring 40MPV 4W	
621381	Sight Glass	11
621341	Sight Glass Gasket	12
620221	Air Relief	13
W02758	MPV 6W40 1/4"x28 SCW	14
122243B	Half Union 40mm C/W O'ring Black	15
W02209BLK	B/U Locking Nut 40mm Black	
W02210BLK	B/U P/End Slip/Slip 40mm Black	
W02213	O'Ring 40mm B/U	
W02691	O'Ring 40MPV 4W	16
64449B	B/U P/End 50MET Black	1 - 9, 14
6214493	MPV 40mm Top Assy Kit MK2 & MK3	



Multiport Valves - 40mm TM 6 Way Clamp Type MK3 22804456

Suit T/Pas & Exotuf Plus

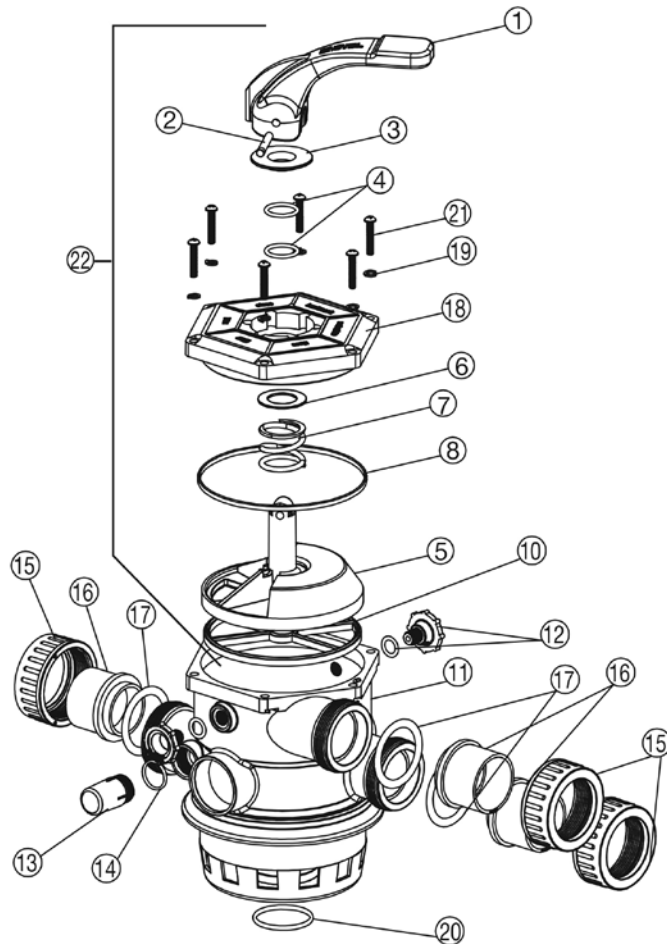
Part Number	Product Description	Diagram Number
6214511	Handle	1
621111	Handle Pin	2
6214520	Washer Top Cover	3
621457	Axle o Ring BS214	4
6214672	Top Cover	5
6214550	Washer Rotor Axle	6
621454	Top Cover Gasket	7
621456	Spring	8
6214582	Rotor with groove & spider gasket	9
6214451	MPV TM 40mm Body Clamp 6 Way MK3	10
621381	MPV Sight Glass 50mm	11
621341	MPV Sight Glass Gasket 50mm	12
620221	Air Release Valve	13
W22567	Bolt M6x35P/H M/C A2	14
W12783	Washer M6 Spring SS304	15
W02213	Nut Hex M6 S/S304	16
122243B	40mm Half Union c/w O Ring	17
6202691	O'ring 180x4.5 (E600 MPV)	18
64449B	Screw W/Nut & Washer Kit	19
6214493	MPV 40mm Top Assy Kit W/Co MK2 & MK3	1/2/3/4/5/6/7/8/9/14/15



Multiport Valves - 40mm TM 6 Way Clamp Type 2280422

Suit Thermoplastic Filters - 6" clamp neck ring, Premium S600

Part Number	Product Description	Diagram Number
621451	Handle	1
621111	Handle Pin	2
621452	Teflon Ring	3
621457	Axle O'Ring	4
621455	Valve Teflon Ring	6
621456	Spring	7
621454	Top Cover Gasket	8
621458	Rotor without groove	5
621460	TM 40mm Spider Gasket	10
621447	TM Body 40mm Clamp Type (c/w spider gasket)	11
620221	Air Release Valve	12
621463	Sight Glass	13
621462	Sight Glass Gasket	14
122243B	Half Union 40mm c/w O'Ring	15/16/17
621453	Top Cover	18
621450	Bottom O'Ring AS225	20
621449	Top Assembly Complete - 40mm	
621464	W/CO MPV Top Cover Bolt (set of 6) + washer	19/21
6214492	MPV 40mm Top Assembly Kit (use on 2280422 + 2280443) (suit 6 bolt top cover)	
6214493	MPV 40MM Top Assembly Kit WCO MK2 (suit 8 bolt top cover)	
	Top Cover	
	Axle O'Ring	
	Teflon Ring	
	Valve Teflon Ring	
	Rotor without groove & gasket	
	Spring	
	Top Cover Gasket	
	Handle	
	Handle Pin	

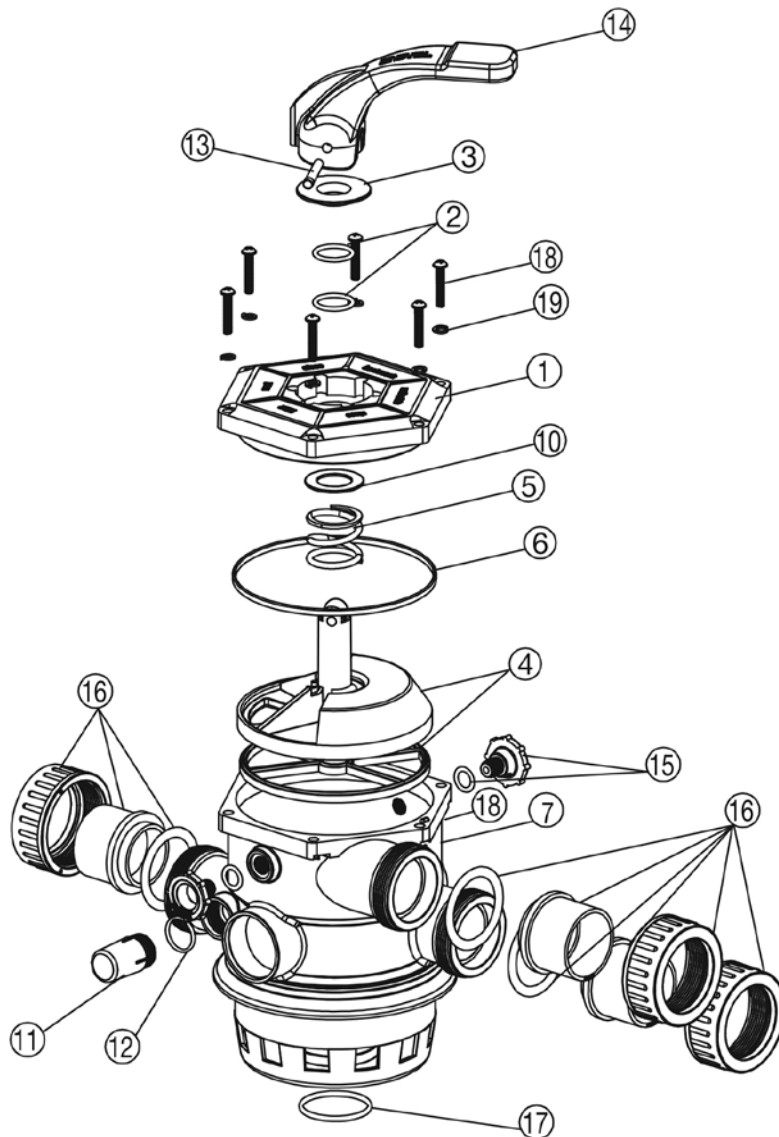


Multiport Valves

- 40mm TM 6 Way Ext Thread MK2 22804415 (Superceded By 22804416)

4 Bar - Suit Micron S Filters

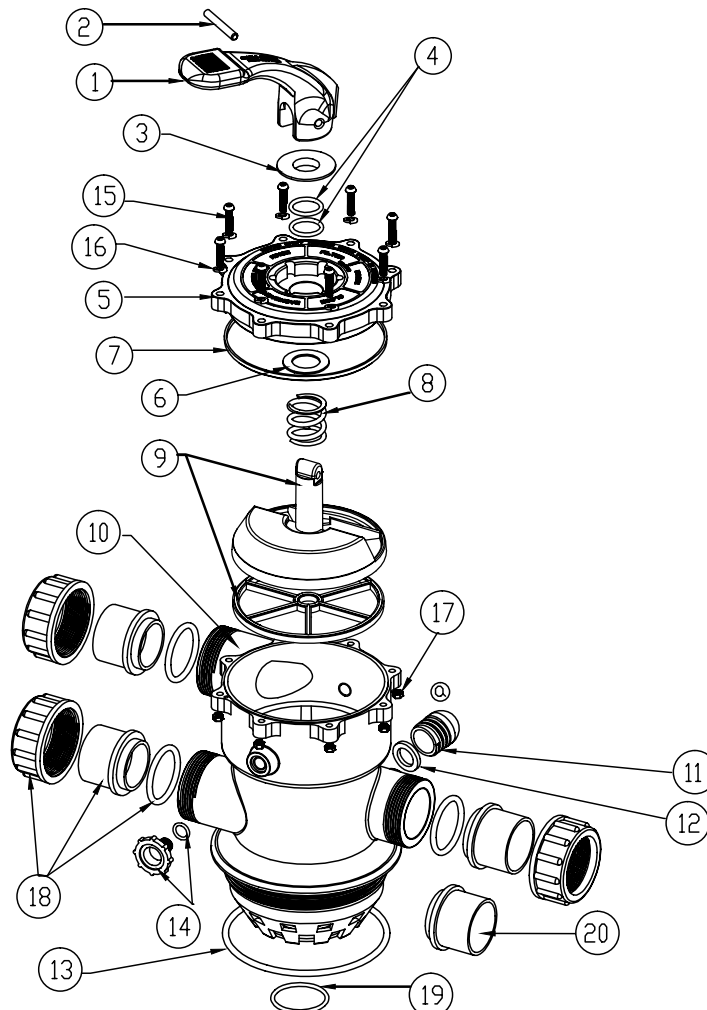
Part Number	Product Description	Diagram Number
6214672	Top Cover	1
621457	Axle O'Ring	2
621452	Teflon Ring	3
6214582	Rotor with groove c/w Spider Gasket	4
621456	Spring	5
621454	Top Cover Gasket	6
6214410	Body	7
621450	40mm MPV Centre Stem O'Ring	9
621455	Valve Teflon Ring	10
621463	Sight Glass	11
621462	Sight Glass Gasket	12
621111	Handle Pin	13
621451	Handle	14
620221	Air Release Valve	15
122243B	Half Union 40mm c/w O'Ring	16
62100	Valve O'Ring	17
6214493	MPV 40mm Top Assembly Kit	18
621478	M6 x 25mm Screw 4 Way MPV	18
6340020	M6 Screw W/Nut & Washer Kit	18
621478	M6 X 25mm P/H Screw (Set of 8)	19/21



Multiport Valves - 40mm TM 6 Way Ext Thread MK3 22804416

4 Bar - Suit Micron S Filters

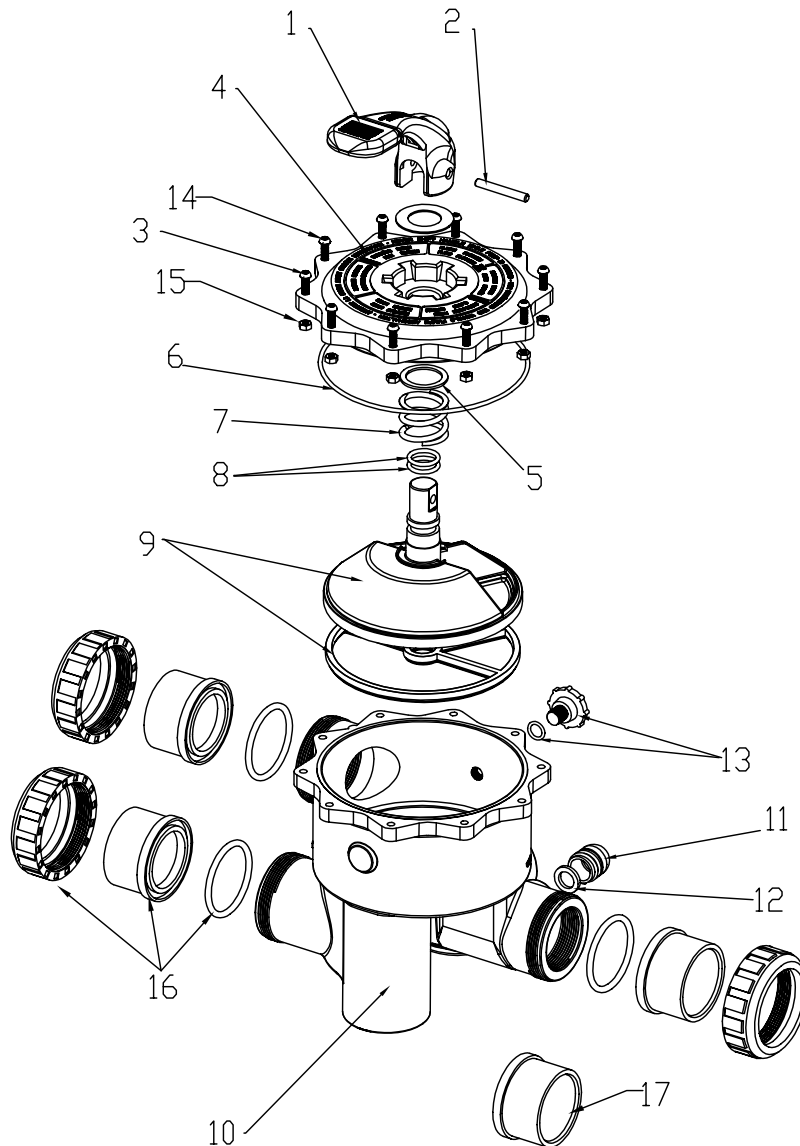
Part Number	Product Description	Diagram Number
621451	Handle	1
621111	Handle Pin	2
6214520	Washer Top Cover	3
621457	Axle O'Ring	4
6214672	Top Cover	5
6214550	Washer Rotor Axle	6
621454	Top Cover Gasket	7
621456	Spring	8
6214582	Rotor with groove c/w Spider Gasket	9
W22046	40mm Rotor W/Grove	
6214602	40mm 6Way Spider Gasket	
6214411	40" Body 6W	10
W22063	Diffuser	
W22062	Adapter	
W02691	O'ring	
621381	50mm Sight Glass	11
621341	50mm Sight Glass Gasket	12
W02068	Valve O'Ring	13
620221	Air Release Valve	14
W22567	Bolt	15
W12783	Washer M6 Spring	16
W22040	Nut Hex M6	17
122243B	Mac Half Union 40mm Black	18
W2209BLK	Locking Nut 40mm Black	
W02210BLK	B/U P/End Slip/Slip 40mm Black	
W02213	O'ring 40mm	
W02691	O'ring 40MPV	19
64449B	B/U P/End 50MET Black	20



Multiport Valves - 50mm SM SF INT/ Thread Mk2 22905130

4 Bar - Suits Micron S Filters

Part Number	Product Description	Diagram Number
6214511	MPV 40/50/65mm Handle Waterco Extron	1
621111	MPV 40mm(K) 50mm (W) Handle Pin	2
621105	MPV 50mm Rotor Washer Big W	3
6211303	Lid MPV 50mm MK2 PP Wco	4
W02628	MPV 50mm Rotor Washer Sml W	5
621151	MPV 50mm Top Oring W	6
621181	MPV 50mm Spring W	7
621201	MPV 50mm Valve Axle Oring (L) (req's x 2)	8
621236	Rotor & Gasket MPV 50mm MK2 WCO	9
	W22482 - MPV 50mm Rotor MK2	
	W22591 - MPV 50mm Spider Gasket MK2	
W22657	MPV SM 50mm Body SF Int THR MK2	10
621381	MPV 50mm Sight Glass	11
621341	MPV 50mm Sight Glass Gasket	12
620221	Air Relief Valve New Style Black	13
W12109	MPV 50/65/80mm Lid Bolt M6x32W (req's x 10)	14
62135	MPV 50mm Lid Nut M6x30 W (req's x 10)	15
634024B	Half Union 50mm W/O'Ring (2 required) - Black	16
	W02081BLK - B/U P/End Slip/Slip 50mm Black	
	W02083BLK - B/U Locking Nut 50mm Black	
	W02280 - Oring 50mm B/U Nitrile	
6340244B	B/U Plain End Slip/Slip 63mm Metric Black (req's x 3)	



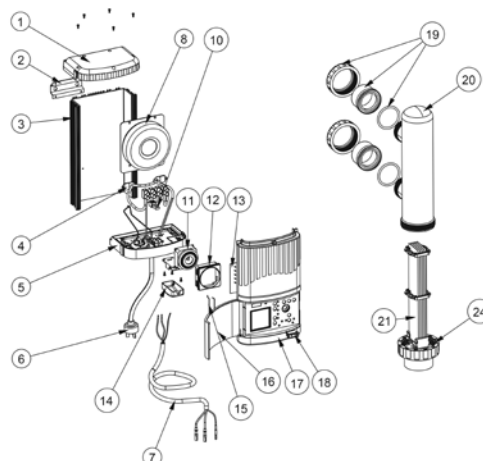
Electrochlor 20A, 30A, 20A SC, 25A SC, 30A SC

Product Codes: 251265, 251405, 2514042, 2514036, 2514037

Part Number	Product Description	Diagram Number
644023	Chlorinator P/P Top Housing	1
6440713	Mounting Bracket	2
6440710	Heatsink Power Pack	3
64501B	SCR Assembly 20A & 30A	4
64501A	SCR Assembly 20A SC & 30A SC	4
644024	Chlorinator P/P Bottom Housing	5
644915	Cell Lead Assembly	7
641162	Toroidal Transformer 20A	8
641160	Toroidal Transformer 25A and 30A	8
63406554	O'Ring BS338 H/Union 65mm	24
641321	3.5 AMP fuse	10
644072	Timer Only Electrochlor	11
644073	Bracket for Timer	12
645083	PC Board 20A/25A/30A	13
645075	PC Board 20A SC/25A SC/ 30A SC	13
64128	Junction Box (Suits All)	14
6440250	Spring Housing Window Top	15
6440251	Spring Housing Window Botom	15
644025	Chlorinator Power Pack Window	16
644022	Chlorinator Power Pack Platic Body	17
644084	Manual/OFF/Auto switch	18
634024B	Half Union 50mm W/O'Ring (2 required) - Black	19
644510	Cell Housing 30A SC MK2	20
644509	Cell Housing 20 & 25A SC MK2	20
644331	Cell Body (Suits 20A & 30A)	20
64428512	Cell Plates Assembly 30A SC MK2	21
64428612	Cell Plates Assembly 25A SC MK2	21
64428613	Cell Plates Assembly 20A SC MK2	21
64428611	Cell Electrode Assembly 20A	21
64428511	Cell Electrode Assembly 30A	21
644954	Electrochlor Cell Assembly Complete With Housing (20A)	22
644953	Electrochlor Cell Assembly Complete with Housing (30A)	22
644959	Cell & Housing Assembly 30A SC MK2	22
644958	Cell & Housing Assembly 25A SC MK2	22
644956	Cell & Housing Assembly 20A SC MK2	22
645002	Electrochlor Power Pack (30A) analogue	23
645003	Electrochlor Power Pack (20A) analogue	23
645004	Electrochlor Power Pack (20A SC)	23
6450025	Electrochlor Power Pack (25A SC)	23
645001	Electrochlor Power Pack (30A SC)	23
63406551BLK	B/Union Lock Nut 65mm BLACK	24
641360	Fuse Holder	
644512	Chlorinator Cell Terminal Cap	
6450821	Current Sensing Harness	

For Earlier Models

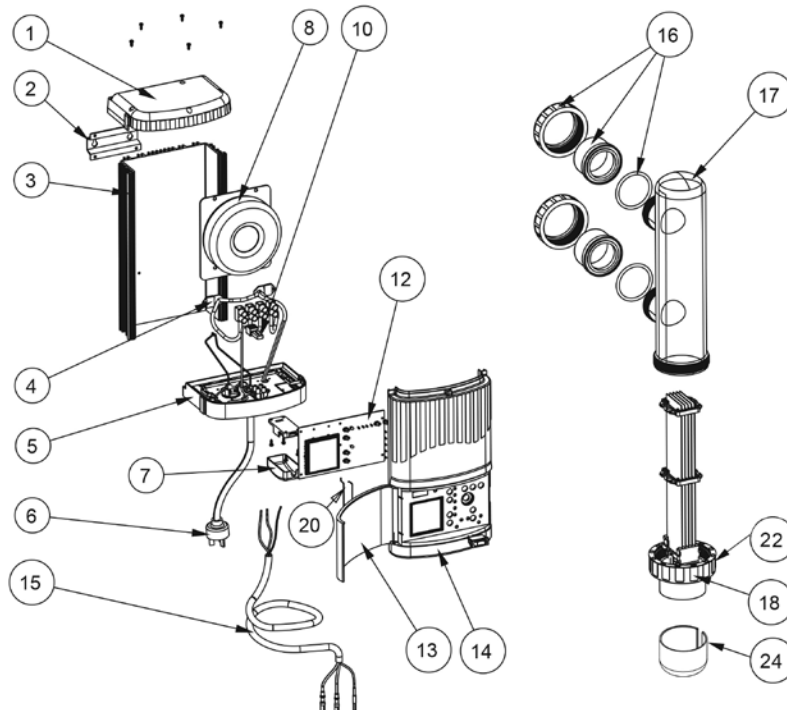
ACL030	Electrochlor Cell Assemby Complete with Housing (20A SC)	1A
ACL031	Electrochlor Cell Assemby Complete with Housing (30A SC)	1A
AXCL030	Electrochlor Electrode & Head Assembly (20A SC)	2A
AXCL031	Electrochlor Electrode & Head Assembly (30A SC)	2A



Electrochlor LCD 20A, 20A SC, 25A SC, 30A SC

Product Codes: 2512637, 2512636, 2514034, 2512638

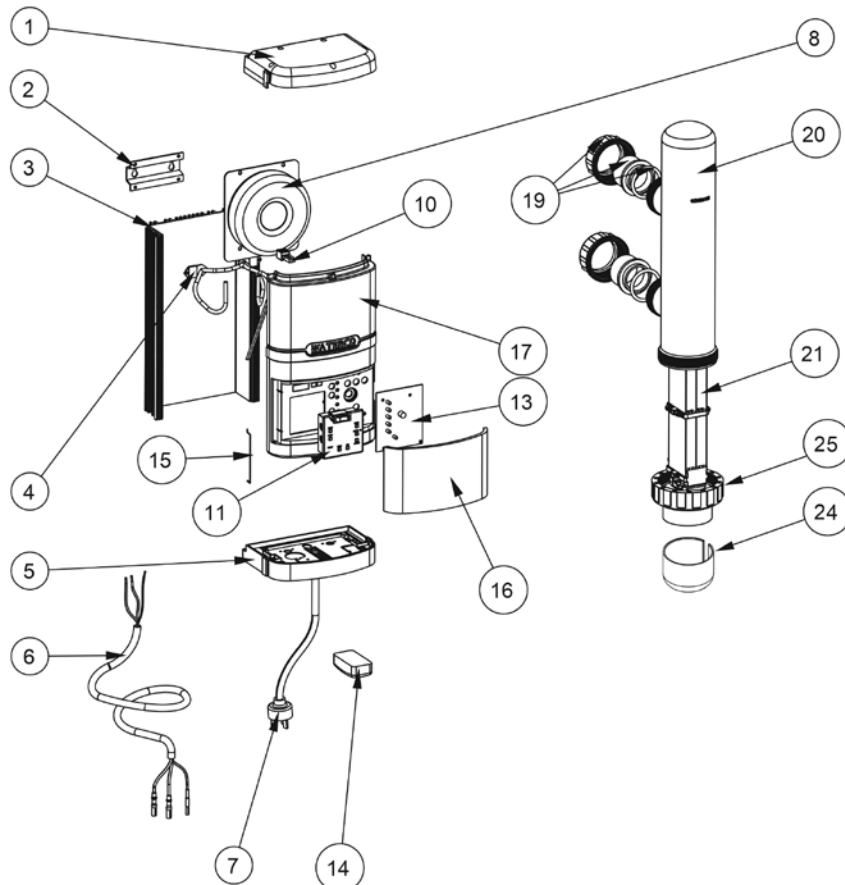
Part Number	Product Description	Diagram Number
644023	Chlorinator P/P Top Housing	1
6440713	Mounting Bracket	2
6440710	Heatsink Power Pack	3
64501A	SCR Assembly 20A SC & 30A SC	4
64501B	SCR Assembly 25A SC	
644024	Chlorinator P/P Bottom Housing	5
64128	Junction Box (Suits All)	7
641162	Toroidal Transformer 20A	8
641160	Toroidal Transformer 25A and 30A	8
641321	3.5 AMP fuse	10
6450755	PCB - LCD SC 167x100mm	12
644025	Chlorinator Power Pack Window	13
644022	Chlorinator Power Pack Plastic Body	14
644915	Cell Lead Assembly	15
634024B	Half Union 50mm W/O'Ring (2 required) - Black	16
644510	Cell Housing 30A SC MK2	17
644509	Cell Housing 20 & 25A SC MK2	17
64428613	Cell Plates Assembly 20A Self Clean MK2	18
64428612	Cell Plates Assembly 25A SC MK2	18
64428512	Cell Plates Assembly 30A SC MK2	18
644956	Cell & Housing Assembly 20A Self Clean MK2	19
644958	Cell & Housing Assembly 25A SC MK2	19
644959	Cell & Housing Assembly 30A SC MK2	19
6440250	Spring Housing Window Top	20
6440251	Spring Housing Window Bottom	20
6450042	Electrochlor 20A LCD S C Power Pack	21
6450011	Electrochlor 30A LCD S C Power Pack	21
6450040	Electrochlor 25A LCD Standard Power Pack	21
6450757	PCB - LCD Replacement with rechargeable battery back up	N/S
641360	Fuse Holder (20x5mm)	
644512	Chlorinator Cell Terminal Cap	
641321	Fuse 3.15A Slow 20mm	
6440261	Battery Enclosure Kit	
645090	Battery Nimh AAA 1.2V 900MAH N	
6450821	Current Sensing Harness	
6450755	PCB - LCD Electrochlor	
644079	Push Button - E/Chlor LCD	
63406551BLK	B/Union Lock Nut 65mm Black	22
644512	Cell Terminal Cap	24
63406554	O'Ring Half Union 65mm	25



Hydrochlor 20A SC, 25A SC & 30A SC

Product Codes: 2514020, 2514025 & 2514030

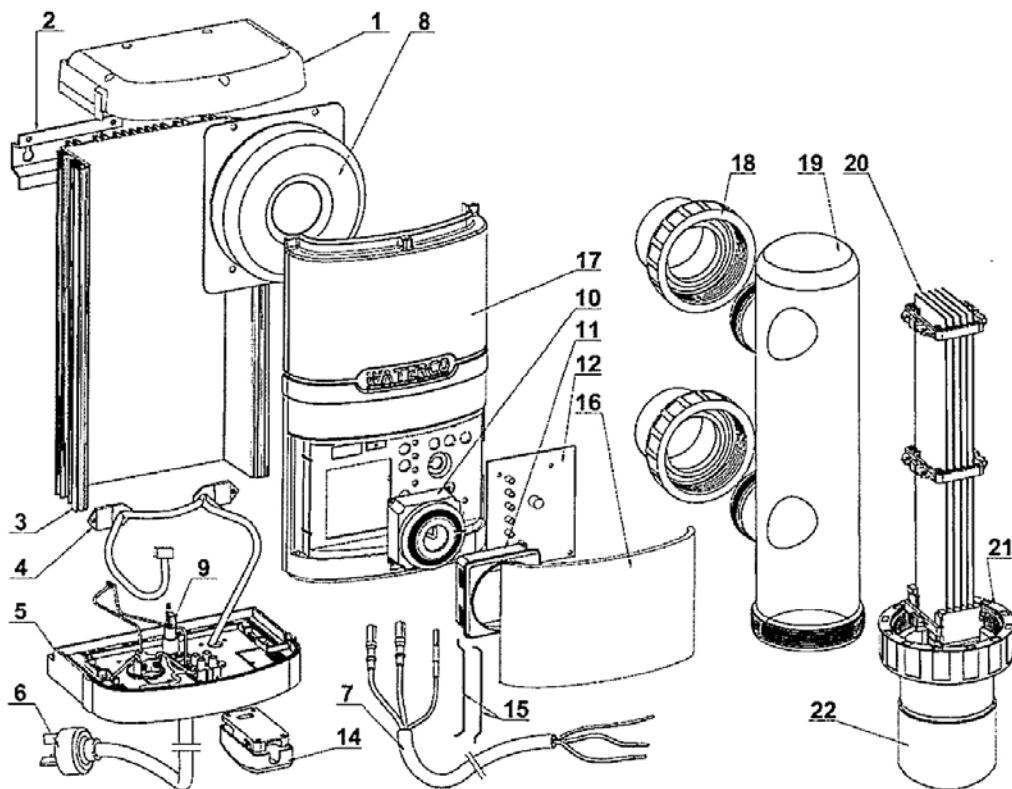
Part Number	Product Description	Diagram Number
6440232	Hydrochlor P/PAK Top	1
6440713	Mounting Bracket	2
6440710	Heatsink Power Pack	3
64501A	SCR Assembly 20A SC - 30A SC	4
644024	Chlorinator P/P Bottom Housing	5
64134	Mains Lead 10A 240V	7
644915	Cell Lead Assembly	6
641162	Toroidal Transformer 250VA 240V/8.5V	8
641160	Toroidal Transformer 400VA 240V/8V	8
641321	Fuse 3.15A Slow 20mm	10
6440813	24 Hour Timer Hydrochlor	11
6450756	PC Board SC Hydrochlor 105x85mm	13
64128	Junction Box (suits all)	14
6440250	Spring Housing Window Top	15
6440251	Spring Housing Window Bottom	15
644025	Chlorinator P/P Housing Window	16
6440222	Hydrochlor P/Pk Front	17
634024B	Half Union 50mm W/O'Ring (2 required) - Black	19
644509	Cell Housing 20A, 25A & 30A	20
64428614	Cell Plates Ass'y Hydrochlor 20A SC	21
64428615	Cell Plates Ass'y Hydrochlor 25A SC	21
64428616	Cell Plates Ass'y Hydrochlor 30A SC	21
6449620	Cell & Housing Ass'y Hydrochlor 20A SC	22
6449625	Cell & Housing Ass'y Hydrochlor 25A SC	22
6449630	Cell & Housing Ass'y Hydrochlor 30A SC	22
6450020	Hydrochlor 20A SC Power Pack	23
6450026	Hydrochlor 25A SC Power Pack	23
6450030	Hydrochlor 30A SC Power Pack	23
6450821	Current Sensing Harness	
641360	Fuse Holder 20x5mm	
644512	Cell Terminal Cap	24
63406551BLK	B/Union Lock Nut 65mm Black	25



Hydrochlor TS, 20A SC, 25A SC & 30A SC

Product Codes: 2514021, 2514026 & 2514031

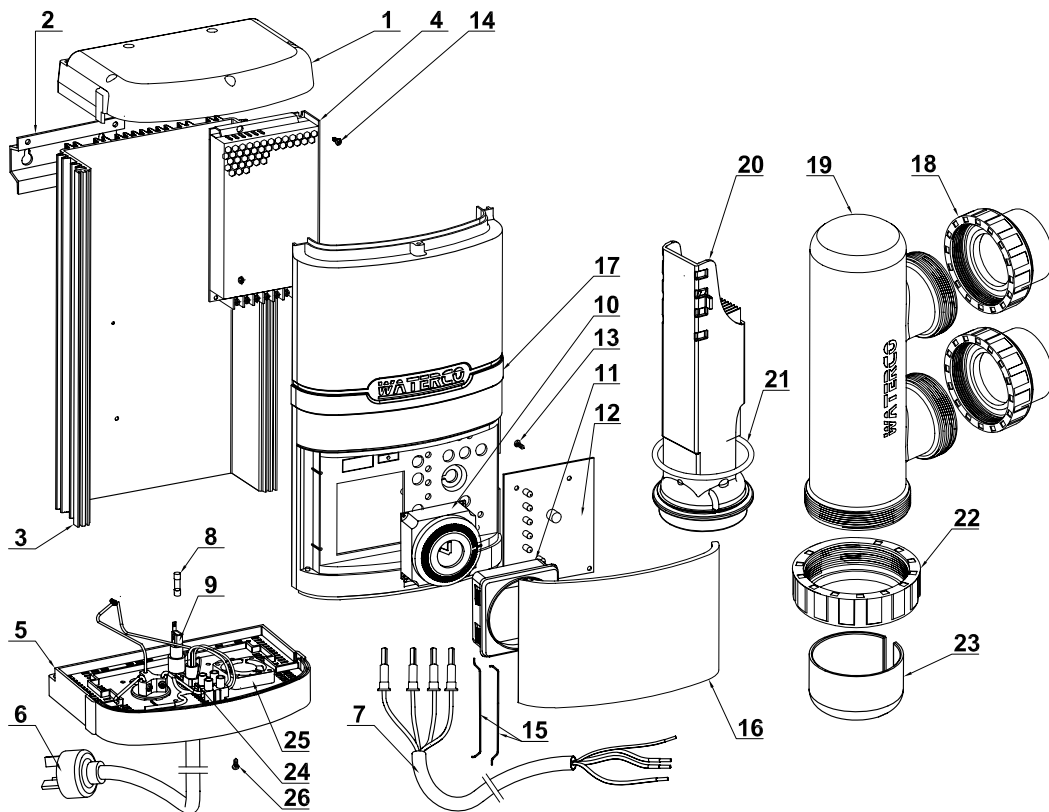
Part Number	Product Description	Diagram Number
6440232	Hydrochlor P/PAK Top	1
6440713	Mounting Bracket	2
6440710	Heatsink Power Pack	3
64501A	SCR Assembly 20A SC - 30A SC	4
644024	Chlorinator P/P Bottom Housing	5
64134	Mains Lead 10A 240V	6
644915	Cell Lead Assembly	7
641162	Toroidal Transformer 250VA 240V/8.5V	8
641160	Toroidal Transformer 400VA 240V/8V	8
641321	Fuse 3.15A Slow 20mm	9
6440720	Time Switch Module 24h W/Battery Backup	10
644073	Bracket for Timer	11
6450756	PC Board SC Hydrochlor	12
64128	Junction Box (suits all)	14
6440250	Spring Housing Window Top	15
6440251	Spring Housing Window Bottom	15
644025	Chlorinator P/P Housing Window	16
6440222	Hydrochlor P/Pk Front	17
634024B	Half Union 50mm W/O'Ring (2 required) - Black	18
644509	Cell Housing 20A, 25A & 30A	19
64428614	Cell Plates Ass'y Hydrochlor 20A SC	20
64428615	Cell Plates Ass'y Hydrochlor 25A SC	20
64428616	Cell Plates Ass'y Hydrochlor 30A SC	20
63406551BLK	H/U Lock Nut 65mm	21
6449620	Cell & Housing Ass'y Hydrochlor 20A SC	
6449625	Cell & Housing Ass'y Hydrochlor 25A SC	
6449630	Cell & Housing Ass'y Hydrochlor 30A SC	
6450021	Hydrochlor TS 20A Power Pack	
6450027	Hydrochlor TS 25A Power Pack	
6450031	Hydrochlor TS 30A Power Pack	
6450821	Current Sensing Harness	
644512	Chlorinator Cell Terminal Cap	
644512	Cell Terminal Cap	24



Hydrochlor MKIII 2000, 2500, 3000

Product Codes: 25140120, 25140125, 2540130

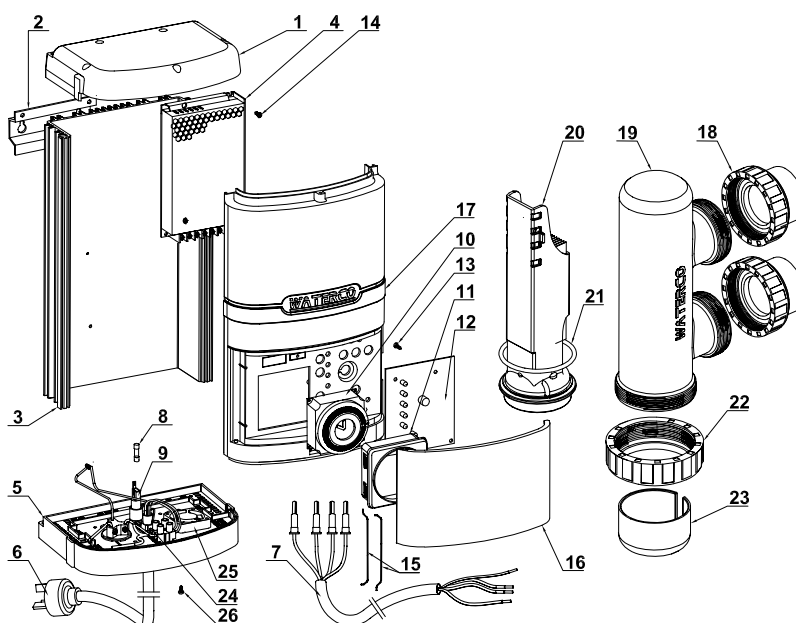
Part Number	Product Description	Diagram Number
6440232	Hydrochlor P/PAK Top	1
6440713	Mounting Bracket	2
6440710	Heatsink Power Pack	3
641188	SM Power Supply RSP150-24PO Tuned (Mty date Mar 2023 or later)	
641181	SM Power Supply LRS 15-24 (Mty date Pre-March 2023)	4
644024	Chlorinator P/P Bottom Housing (Mty date Pre-March 2023)	5
6440236	Hydrochlor Bottom Cover 8A C/B (Mty date Mar 2023 or later)	
64134	Mains Lead 10A 240V	6
644917	Lead Ass'y SMP Chlorinator	7
641321	Fuse 3.15A Slow 20mm (Mty date Pre-March 2023)	8
	For units, Mfy date - Mar 2023 or later, fuse is not required	
641360	Fuse Holder 20 x 5 mm (Mty date Pre-March 2023)	9
6411324	8A Circuit Breaker T9-31IC-8 (Mty date Mar 2023 or later)	
6440723	Timer for Chlorinator W/Battery Backup	10
644073	BRACKET FOR TIMER	11
641187	PCB SMP Chlorinator Control	12
63612640	Screw 4Gx1/4 PXR 304	12
6440251	Spring Housing Window Bottom	15
6440250	Spring Housing Window Top	15
644025	Chloe P/P Housing Window	16
6440222	Hydrochlor P/Pack Front	17
634024B	Half Union 50mm W/O'Ring (2 required) - Black	18
644509	Cell Housing 20A, 25A & 30A	19
85529	O'ring 85x5	21
63406551BLK	H/U Lock Nut 65mm Black	22
644513	Chlorinator Series Cell Term Cap	23
S123811	Cord Grip Heyco 1214	24
644086	Fan 12v DC RS4010S12H	25
72511884	Screw 6Gx1/2" Pan PH HD ST	26
64428720	Cell Plates Assy 2000 Standard	
64428725	Cell Plates Assy 2500 Standard	
64428730	Cell Plates Assy 3000 Standard	
64428820	Cell Plates Assy 2000 Premium	
64428825	Cell Plates Assy 2500 Premium	
64428830	Cell Plates Assy 3000 Premium	



Hydrochlor ST

Product Codes: 25143120, 25143125, 25143130

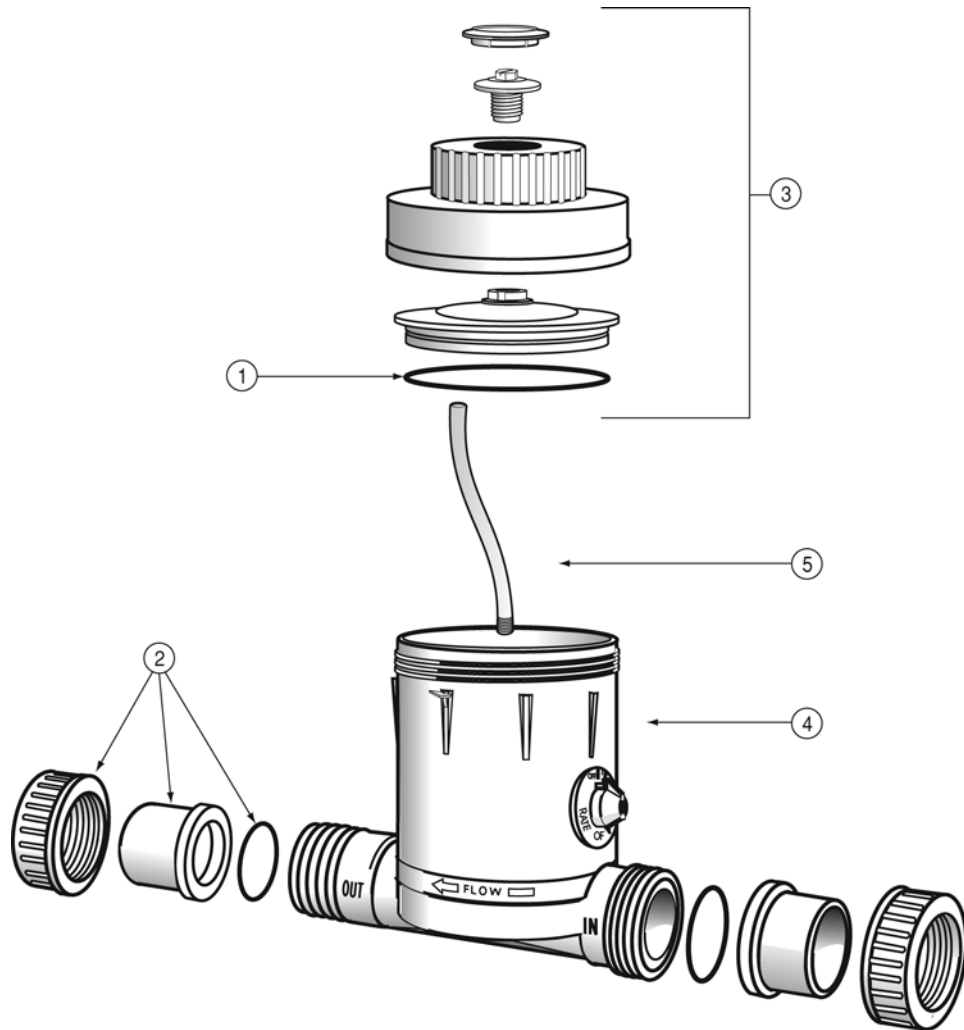
Part Number	Product Description	Diagram Number
6440232	Hydrochlor P/Pack Top	1
6440713	Mounting Bracket	2
6440710	Heatsink Power Pack	3
641181	SM Power Supply LRS 15-24 (Mty date Pre-March 2023)	4
641188	SM Power Supply RSP150-24PO Tuned (Mty date Mar 2023 or later)	
644024	Chlorinator P/P Bottom Housing (Mty date Pre-March 2023)	5
6440236	Hydrochlor Bottom Cover 8A C/B (Mty date Mar 2023 or later)	
64134	Mains Lead 10A 240V 1	6
644917	Lead Ass'y SMP Chlorinator	7
641321	Fuse 3.15A Slow 20mm (Mty date Pre-March 2023)	8
	For units, Mfy date - Mar 2023 or later, fuse is not required	
641360	Fuse Holder 20 x 5 mm (Mty date Pre-March 2023)	9
6411324	8A Circuit Breaker T9-311C-8 (Mty date Mar 2023 or later)	
644073	Bracket For Timer	11
641187	PCB SMP Chlorinator Control	12
63612640	Screw 4Gx1/4 PXR 304	13
829202	6Gx3/8 S/TAP ZP	14
6440251	Spring Housing Window Bottom	15
6440250	Spring Housing Window Top	15
644025	Chloe P/P Housing Window	16
6440222	Hydrochlor P/Pack Front	17
634024B	50mm H/Union w/O'ring Black	18
644509	Cell Housing 25A Waterco	19
85529	O'ring 85 x 5	21
63406551BLK	H/U Lock Nut 65mm Black	22
644513	Chlorinator Series Cell Term Cap	23
S123811	Cord Grip Heyco 1214	24
644086	FAN 12V DC RS4010S12H	25
72511884	SCREW 6Gx1/2" PAN PH HD ST	26
64428720	Cell Plates Assy 2000 Standard	
64428725	Cell Plates Assy 2500 Standard	
64428730	Cell Plates Assy 3000 Standard	
64428820	Cell Plates Assy 2000 Premium	
64428825	Cell Plates Assy 2500 Premium	
64428830	Cell Plates Assy 3000 Premium	
6450134	Hydrochlor ST Power Pack	
641181	SM Power Supply LRS 15-24	
641188	SM POWER SUPPLY RSP150-24PO TUNED	
644024	Chlorinator P/P Bottom Housing	
6440236	HYDROCHLOR BOTTOM COVER 8A C/B	
641321	Fuse 3.15A Slow 20mm	
641360	Fuse Holder 20 x 5 mm	
6411324	CIRCUIT BREAKER P/MOUNT 8A 240VAC T9-311C-8	
6440720	Time Switch Module 24h W/Battery Backup	
6440723	Timer w/o Battery Back-up	
S1120815	Screw 4Gx3/8" Phead SS	
6450821	Harness Set Ass'y SMP H/Chl	



Water King

Product Codes: 2512637, 2514040, 2512636, 2514034, 2512638

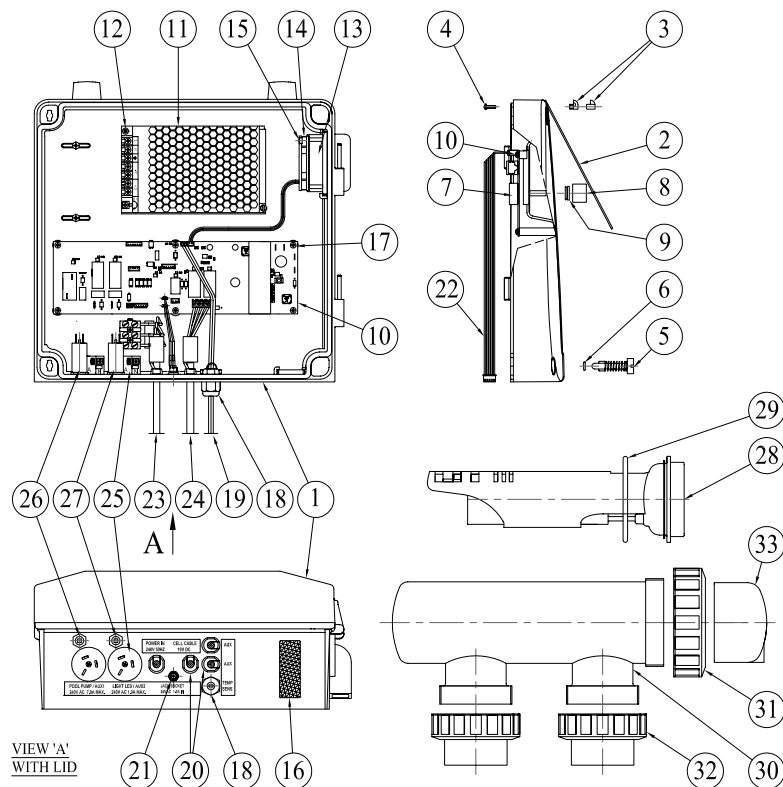
Part Number	Product Description	Diagram Number
64100	Water King O'Ring (Viton)	1
64101	Union c/w O'Ring	2
S0614511	O'Ring Half Union	2
64102	Lid c/w O'Ring	3
595388	Center Stem	5



Electrochlor Mineral Eco

Product Codes: 2515120, 2515125, 2515130

Part Number	Product Description	Diagram Number
6381920	Enclosure Electrochlor Mineral	1
6381921	Lie Enclosure Mineral	1
6381923	Display Cover	2
6381924	Hinge Plug Lh & Rh	3
645441	(Q)M3 X 10 Panh Ph Z	4
6381934	Qtr Turn Key Short W/Spring	5
82444204	Oring	6
641185	Function Ctrl Pcb W/Graphics	7
6381932	Knob E/Chlor	8
6381933	V-6-A Nbr V	9
63400833	Screw 4Gx3/8" Pan Head S	10
641181	Sm Power Supply	11
63414277	Screw M3x6mm SS316	12
6381930	Fan Adaptor W/Insect	13
644087	Fan 12V Dc 0.11A 60Mm Rs60010S	14
S1224715	Screw 4G X 5/8" Ph	15
6381929	Inlet Insect	16
641182	Smps Chlorinator Output	17
650152	Ip68 Cable Gland 4-8 Mm	18
85172	Pool Probe A/Master Pc4&	19
S123811	Cord Grip	20
644089	Jack W/Harness	21
6381954	Harness Display Lcd To	22
64134	Mains Lead Ass'y 10A/240V W	23
644917	Lead Assembly Smp	24
82248005	Plug Socket 10A	25
641322	Circuit Breaker Panel Mount 10A	26
641328	Circuit Breaker P/Mount 3A 240Vac	27
64428720	Cell Plates Ass'y 2000 Standard	28
64428725	Cell Plates Ass'y 2500 Standard	28
64428730	Cell Plates Ass'y 3000 Standard	28
85529	Oring 85X5 - Housing	29
644509	Cell Housing 25A	30
63406551BLK	B/Union Lock Nut 65Mm	31
6340204B	50mmH/U w/O'ring Black	32
644513	Chlorinator Series Cell Terminals	33
85251	Gulfstream Plug	



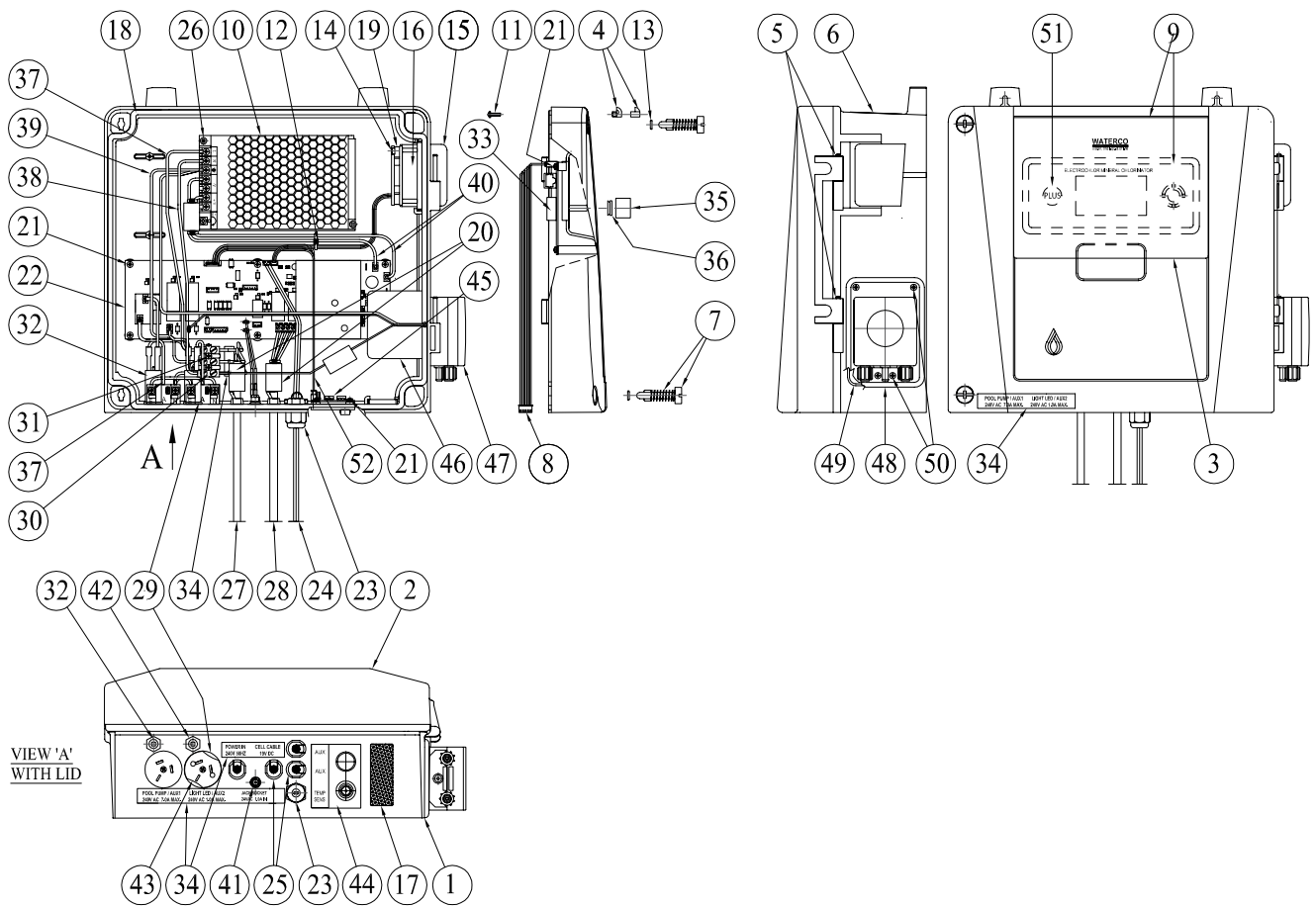
Electrochlor Mineral Plus Power Pack

Product Codes: 6450137

Part Number	Product Description	Diagram Number
6381922	Enclosure E/Chlor Mineral Plus	1
6381921	Lid Electrochlor Mineral	2
6381923	Display Cover Hinged	3
6381924	Hinge Plug LH & RH Set	4
6381925	E-Clip DIN6799 3.2mm SS	5
6381934	Qtr Turn Key Short W/Spring	7
6381954	Harness Display LCD To PCB	8
81900615	Overlay Set E/Chlor Mineral	9
641181	SM Power Supply LRS 150-24	10
645441	Screw M3x10mm PanH PH ZP	11
64603	Cble Tie 3" - H31800	12
82444204	O'Ring BS010	13
S1224715	Screw 4Gx5/8" Pan Head S/S	13
6381928	Exhaust Elbow	15
6381930	Fan Adaptor W/Insects Screen	16
6381929	Inlet Insect Screen	17
6381931	Enclosure Gasket	18
644087	Fan 12VDC 60mm RS60010 S12W	19
82443912	Ferrite Core ACME D28 RHC-158	20
63400833	Screw 4Gx3/8" Pan Head S/S	21
641182	SMPS Chlorinator Output Control	22
650152	Cable Gland 4-8mm Dia	23
85172	Pool Probe 3Mtr PC5/Aquamaster	24
S123811	Cord Grip Heyco 1214	25
63814277	Screw M3x6 S/S 316 (4 required)	26
64134	Mains Lead 10A 240V	27
644917	Cell Lead Ass'y	28
82248005	Plug Socket 10A 3Pins	29
64514	Salty/SS Terminal Block	30
S1189215	Screw M3x16mm PH Z/P	31
641322	Circuit Braker PM 10A T9-311	32
641185	Function Ctrl PCB w/Graph LCD	33
8190037	Label Set E/Chlor Mineral	34
6381932	Knob	35
6381933	V-6-A NBR V-Ring	36
6381950	Active Wire Loom Assembly	37
6381951	Neutral Wire Loom Assembly	38
6381952	Earth Wire Loom Assembly	39
6381953	PCB to SMP Loom Assy	40
644089	Jack w/Harness 24VAC	41
641328	Circuit Braker P/M 3A 240VAC	42
6381935	Mount PH PCB	44
6381956	PH PCB W/BNC Connector	45
6381927	Enclosure Peristaltic Pump	46
60181022	Saier Peristaltic Pump 3L/HR	47
6381926	Mount Plate	48
6381938	Seal Mounting Plate	49
S128256	Screw S/Tap No 4 x 10mm	50
81900616	Circular Label 'PLUS'	51
6381955	Harness Display PH Unit To PCB	52
60121294	PH Probe	
60137311	20x20MM Probe Nipple	
72522814	Poly Reducing Bush 20x15 Threaded	
72522815	Saddle Clamp 60x 3/4"	
25950027	Black Tubing 6x4 20mtr Roll	
60181002	Squeeze Tube with Holder Blue Kit	
60181068	Squeeze Tube only pack of 10	
60181067	Pump Housing Cover Type 9911	
60181010	Rotor 47-13 Blue	
60181013	Injection Valve %" 4x6 K&V Series	

Electrochlor Mineral Plus Power Pack (continue)

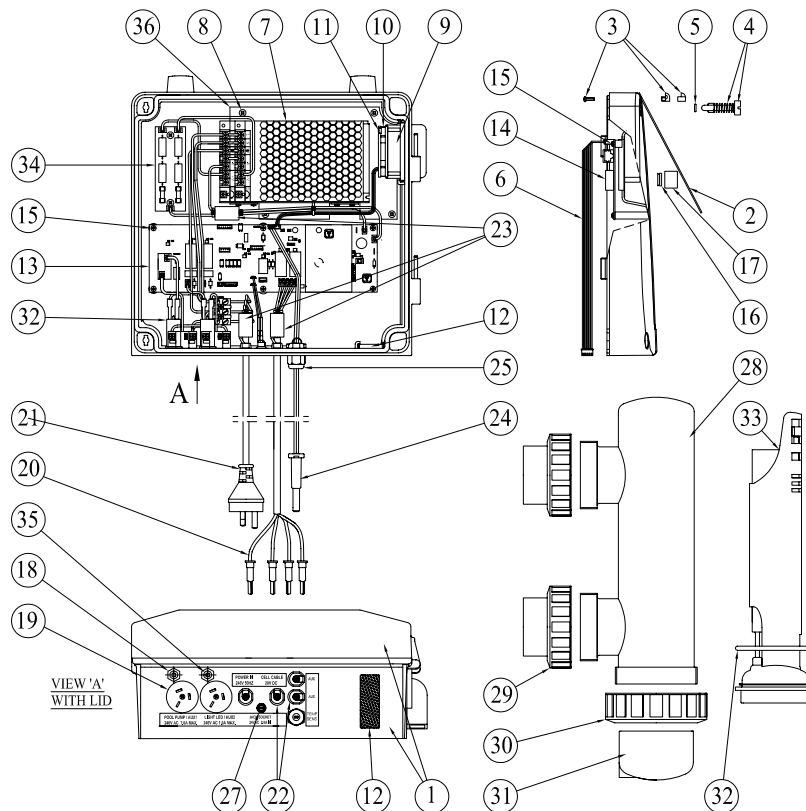
Product Codes: 6450137



ELECTROCHLOR MINERAL PRO

Product Codes: 2515140, 2515150

Part Number	Product Description	Diagram Number
6381920	Enclosure Electorchlor Mineral	1
6381921	Lid Enclosure Mineral	36
6381923	Display Cover Hinged	2
63819240	Hinge Plug Set & Screws	3
63819340	Qtr Turn Key w/Spring & O'ring	4
82444204	O'ring BS010	5
6381954	Harness Display LCD To PCB	6
641181	SM Power Supply LRS 150-24	7
645441	Screw 8Gx13mm S/T1 SS304	8
6381930	Fan Adaptor w/Insects Screen	9
644087	Fan 12VDC 60mm RS60010 S12V r	10
72511884	Screw 6Gx1/2" PH SS	11
6381929	Inlet Insect Screen	12
641182	SMPS Chlorinator Output Control	13
641185	Function Ctrl PCB w/Graph LCD	14
63400833	Screw 4Gx3/8" Pan Head S/S	15
6381933	V-6-A NBR V-RING	16
6381932	Knob E/Chlor Hinged	17
641322	Circuit Braker PM 10A T9-311	18
82248005	Plug Socket 10A 3Pins	19
644917	Cell Lead Ass'y	20
64134	Mains Lead 10A 240V	21
S123811	Cord Grip Heyco 1214	22
82443912	Ferrite Core ACME D28 RHC-158	23
85172	Pool Probe 3Mtr PC5/Aquamaster	24
650152	Cable Gland 4-8mm Dia	25
644089	Jack w/Harness 24VAC	27
644510	Cell Housing 30A Waterco	28
634024B	50mm H/Union w/O'ring Black	29
63406551BLK	H/U Lock Nut 65mm Black	30
644513	Chlor.Series Cell Terminals Cap	31
85529	O'ring 85 x 5	32
64428650	Cell Plates Ass'y H/Chlor 5000	33
64428640	Cell Plates Ass'y H/Chlor 4000	33
641184	Resistor Balance PCB	34
641328	Circuit Braker P/M 3A 240VAC	35

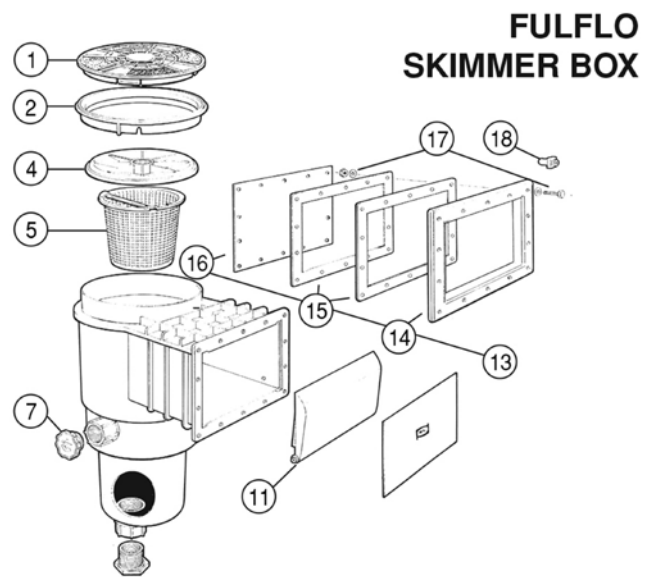
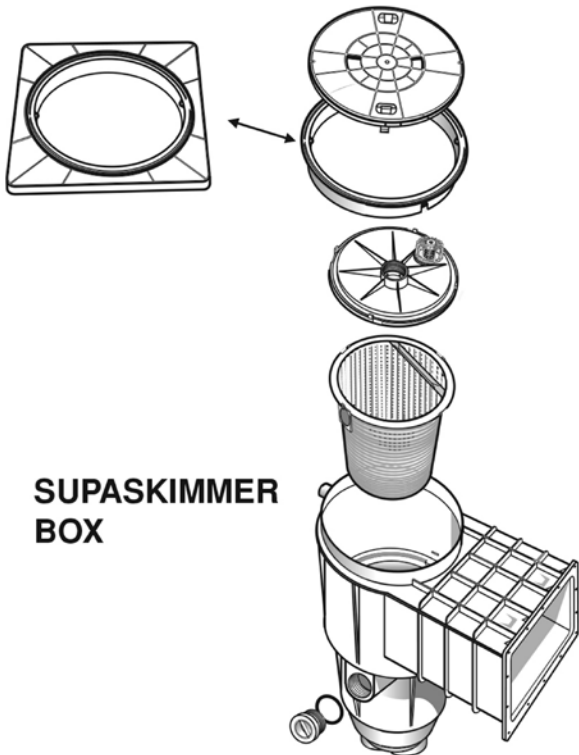
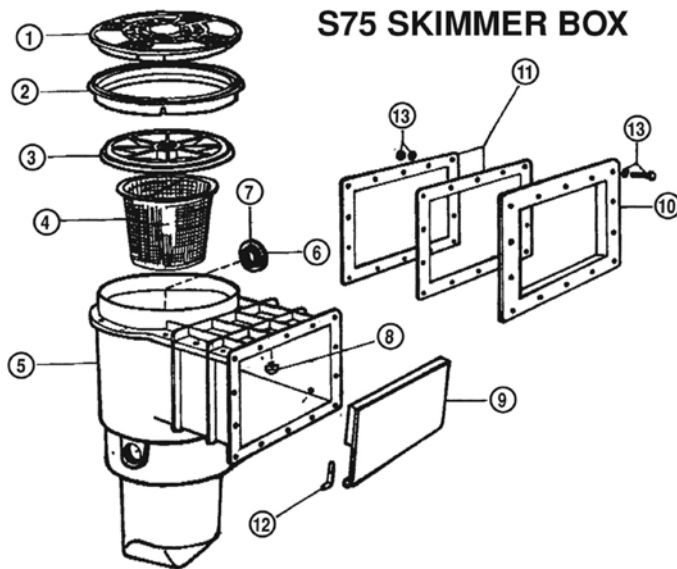


Skimmer Boxes - Waterco S75 / Supaskimmer / Fulflo

Part Number	Product Description	Diagram Number
WATERCO S75		
62411	Deck Lid - Beige (315mm)	1
62411S	Deck Lid - Sandstone (315mm)	1
624171S	Deck Lid MK2 (Suit Twist Lock Type) - Sandstone	1
624101	Commercial Dress Ring	2
62410	Dress Ring - Beige	2
62410S	Dress Ring - Sandstone	2
624181S	Square Dress Ring Twist Lock - Sandstone	2
6241920	Supaskimmer S75 T/Lock Rd Ring - Grey	
62419	Round Dress Ring (Suit Lock Down Type)	2
624191S	Round Dress Ring Twist Lock - Sandstone	2
624105	Dress Ring Extension - 60mm	n/s
62408	Vacuum Plate (Suits Lock-Down & Press Fit Types) - 3 Lug (275mm)	3
62468	S75 Vac Plate Oring (separate item available) (208mm, 3 x Raised Lugs)	3
62403	Leaf Basket (208mm) No Lugs	4
624032	Leaf Basket Lock Down Type (comes with skimmer)	4
62404	Plug 40mm	6
29260	Escutcheon Assembly Kit - White (C/W Gaskets & Long Screws)	
292631	Escutcheon Kit Face Plate (14 x Screw Holes Req's (62444 x 14 & 29267 x 1)	
62439	Clip	
292600	Escutcheon Assembly Kit (Grey)	
29264	Escutcheon Kit Template	
62439	Clip	
29261	Gasket Set (2)	10
292631	Skimmer Face Plate	11
62444	Stainless Steel Screw Each	13
29267	Screw Cap Set (14)	
62416	Weir Door Stop	8
62407	Weir Door Assembly (comes with clips)	9
624120	Weir Door Clip	12
62468	Vacuum Plate O'Ring	
62438	Nutserts	18
62421	Skimmer Lintel	
6340020	Nut & Bolt Kit for installation of Skimmer & Lintel, Multi Pack M6	
624079	Supaskimmer S75 Weir Door Assembly	
SUPASKIMMER / FULFLO		
62411	Deck Lid	
62411S	Deck Lid - Sandstone	
624171S	Deck Lid MK2 (Suit Twist Lock Type) - Sandstone	
624111	Commercial Deck Lid	
624173	Supaskimmer S75 T/Lock Deck Lid - Grey	
624101	Commercial Dress Ring (GFABS)	
62410	Dress Ring	
62410S	Dress Ring - Sandstone	
624181S	Square Dress Ring Twist Lock - Sandstone	
62419	Round Dress Ring (Suit Lock Down Type)	
624191S	Round Dress Ring Twist Lock - Sandstone	
624105	Dress Ring Extension - 60mm	
624024	Supaskimmer Leaf Basket (4 Lugs)	
62402	Fulfo Leaf Basket (No Lugs)	
624084	Supaskimmer Lock Down Vacuum Plate (4 lugs)	
62408	Vacuum Plate (3 lugs)	
62468	Vacuum Plate O'ring	
32702	Fulflo/Nally Vacuum Plate	
62407	Weir Door (comes with clips) (242mm x 145mm)	
62416	Weir Door Stop	8
624120	Weir Door Clip	
62404	Plug 40mm	
29260	Escutcheon Assembly Kit	
292631	Skimmer Face Plate	

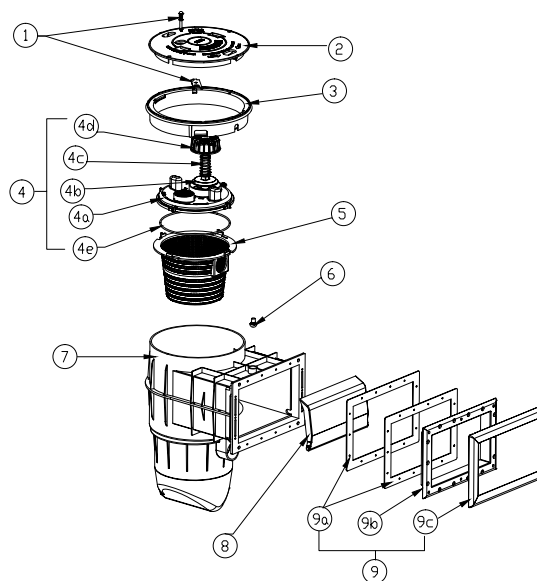
Skimmer Boxes - Waterco S75 / Supaskimmer / Fulflo (continue)

Part Number	Product Description
29261	Gasket Set (2)
62444	Stainless Steel Screw Each
29267	Screw Cap Set (14)
62426	Widemouth Escutcheon Kit (Req's additional 22 x 62438, Nutserts-Moulding P1325)
62438	Nutserts (Each)
SKIMTROL - CONTROL VACUUM PLATE	
32730	Valve Spring
32731	Valve Stem
32732	Valve Strainer
62469	O-ring BS 272



Skimmer Boxes - Paramount SP5000

Part Number	Product Description	Diagram Number
PARAMOUNT SP5000		
6241200	Weir Door Clip (short - suits 624077 weir door)	n/s
AXSM009	Deck Lid - Beige (271mm)	2
AXSM009S	Deck Lid - Beige (271mm)	2
6241092	Deck Lid T/Lock Ass'y SP5000 - Beige	1
6241082	Deck lid T/Lock Ass'y SP5000 - Grey	1
AXSM012	Dress Ring - Beige	3
AXSM073	Round Dress Ring - Beige - Twist Lock (Suit Lock Down Type)	3
AXSM074	Square Dress Ring - Beige - Twist Lock (Suit Lock Down Type)	3
6241081	Square Dress Ring T/Lock SP500 - Grey	3
6241091	Square Dress Ring T/Lock SP500 - Beige	3
32715	Vacuum Plate - SP5000 Skimtrol Lock Down	4
AXSM025	Vacuum Plate SP5000 Lock Down - 4 lugs	4
32716	Vacuum Plate - Grey	4A
61307	SP5000 Vac Plate Oring (separate item available)	4E
AXSM004	Skimmer Body Flow Adjuster	4B
AXSM014	Skimmer Basket (225mm, 4 Lugs)	5
AXSM0061	Rubber Buffer	6
AXSM003	Adjustment Slide Skimmer Body	
AXSM002	Skimmer Body	7
624077	SP5000 Weir Door MK2 - White (no clips included) (235mm x 127mm)	8
624078	SP5000 Weir Door MK2 - Grey (no clips included)	8
AXSM038	Escutcheon Gasket (req's x 2)	9A
AXSM033	Escutcheon Plate - White	9B
AXSM034	Escutcheon Plate - Grey	9B
AXSM0391	SP5000 Skimmer Escutcheon Clip - Grey	9C
AXSM028	Escutcheon Kit Assembly (C/W 2 x Gaskets Plus Face Plate)	
AXSM036	Escutcheon Stainless Steel Screws (req's x 14)	n/s
AXSM042	Rubber Plug for Main Drain & Vac Plate (40mm Slip Fit Plus)	n/s
AXSM040	Extension Throat Body	n/s
AC703	Cap for Port	
AXSM0390	SP5000 Skimmer Escutcheon Clip - White (No Holes In Plate)	9C
624108	Lid & SQ Dress Ring Ass'y - Grey	1&2
AXSM030	Escutcheon (C/W Screws/PL SK, No Gasket) - White	n/s
AXSM0300	Escutcheon Kit - Grey	
6241092	ECK Lid T/Lock Ass'y SP5000 S/Stone	
6241083	Deck lid T/Lock Ass'y SP5000 - Grey	
AXSM0091	Deck Lid Latch & Slide Tool - S/Stone	
AXSM0092	Deck Lid Latch & Slide Tool - Grey	
SKIMMER BOXES - BAKER HYDRO		
624120	Skimmer Weir Door Clip	
624070	Skimmer Weir Door	n/s
624121	Skimmer Weir Door Foam	



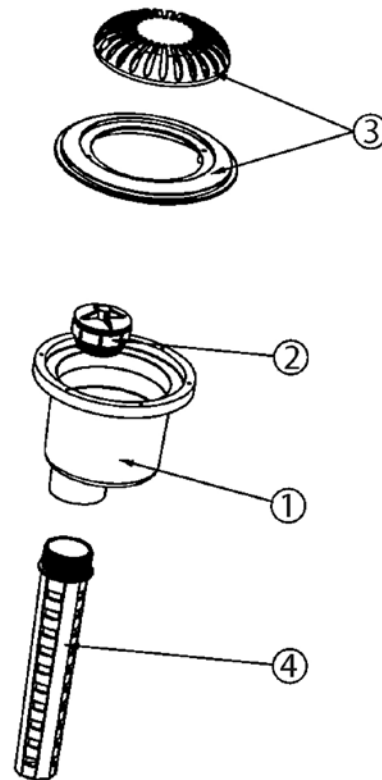
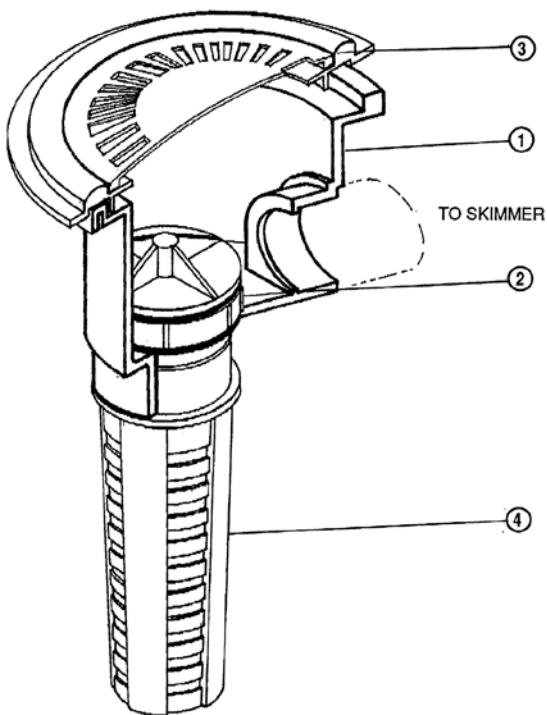
Main Drains

Product Codes: 29300 - MKI, 293000 - MKII

Part Number	Product Description	Diagram Number
29301	Main Drain Body - White	1
293010	Main Drain Body - Grey	1
29302	Hydrostatic Valve - White	2
293020	Hydrostatic Valve - Grey	2
29303	Cover & Dress Ring - White	3
293030	Cover & Dress Ring - Grey	3
29307	Cover & Dress Ring - Beige	3
293033	Cover & Dress Ring White MKII	
293034	Cover & Dress Ring Grey MKII	
29304	Main Drain Stem - White	4
293040	Main Drain Stem - Grey	4
29306	Screw & Plug Set - White	
29305	Screw & Plug Set - Beige	
AC703	40mm Blanking Plug	
293004	Main Drain Foam Plug	

GREASE PLATE HYDRO VALVE (29313 complete)

29314	Grease Plate (Lid Only)
29315	Grease Plate (Body Only)
293102	Hydrostatic Valve Tool F/G Pools Grey
6340020	S/T M6 Multi Pack Bolts & Washers (Fit Lintel and S75 Skimmer)

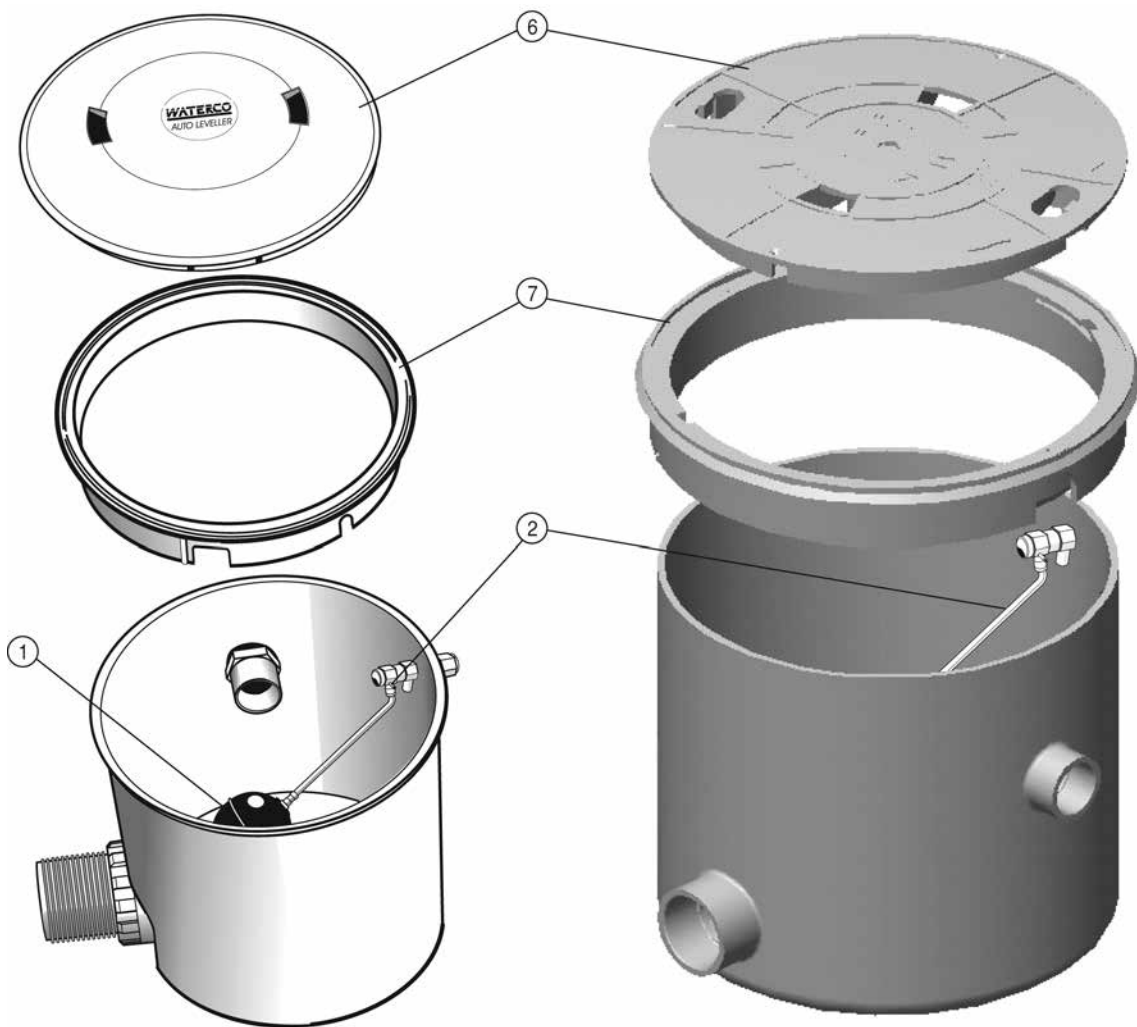


293001 (Grey)

293000 (White)

Auto Poolwater Leveller

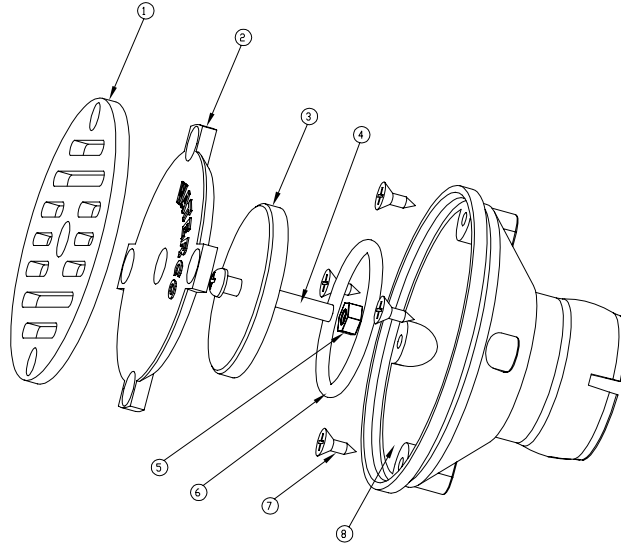
Part Number	Product Description	Diagram Number
62270	Plastic Float	1
62271	3/8" Float Valve Brass	2
62272	3/8x1/2" Brass Bush	
62273	1/2" Kinco Nut	
62274	1/2" Olive Plastic	
AXSM009	Lid - Beige (Suit MK1 Leveller)	6
AXSM009S	Lid - Sandstone (Suit MK1 Leveller)	6
624171S	Deck Lid MK2 (Suit Twist Lock Type) - Sandstone	6
AXSM012	Dress Ring (Suit MK1 Leveller)	7
624191S	Round Dress Ring Twist Lock - Sandstone	7



Floor Inlet Adjustable

Product Code: 291701

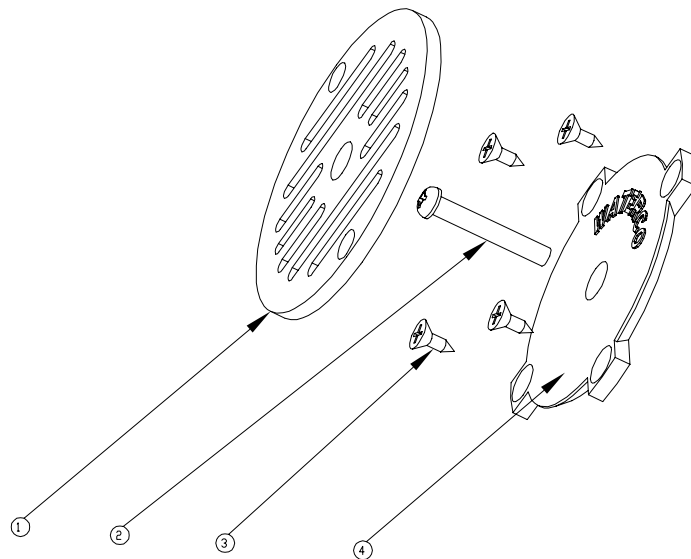
Part Number	Product Description	Diagram Number
2917011	Floor Inlet Top Plate with Slots	1
	Floor Inlet Top Plate	2
	Floor Inlet Seal Plate	3
	Floor Inlet M6x40 SS PH Screw	4
	Nylon L/Nut M6 SS304	5
2919020	Floor Inlet O Ring	6
	Screw #12* 1/2 Counter Sunk SS304	7
	Floor Inlet Body	8



FLOOR Inlet Repair Kit

Product Codes: 2917013

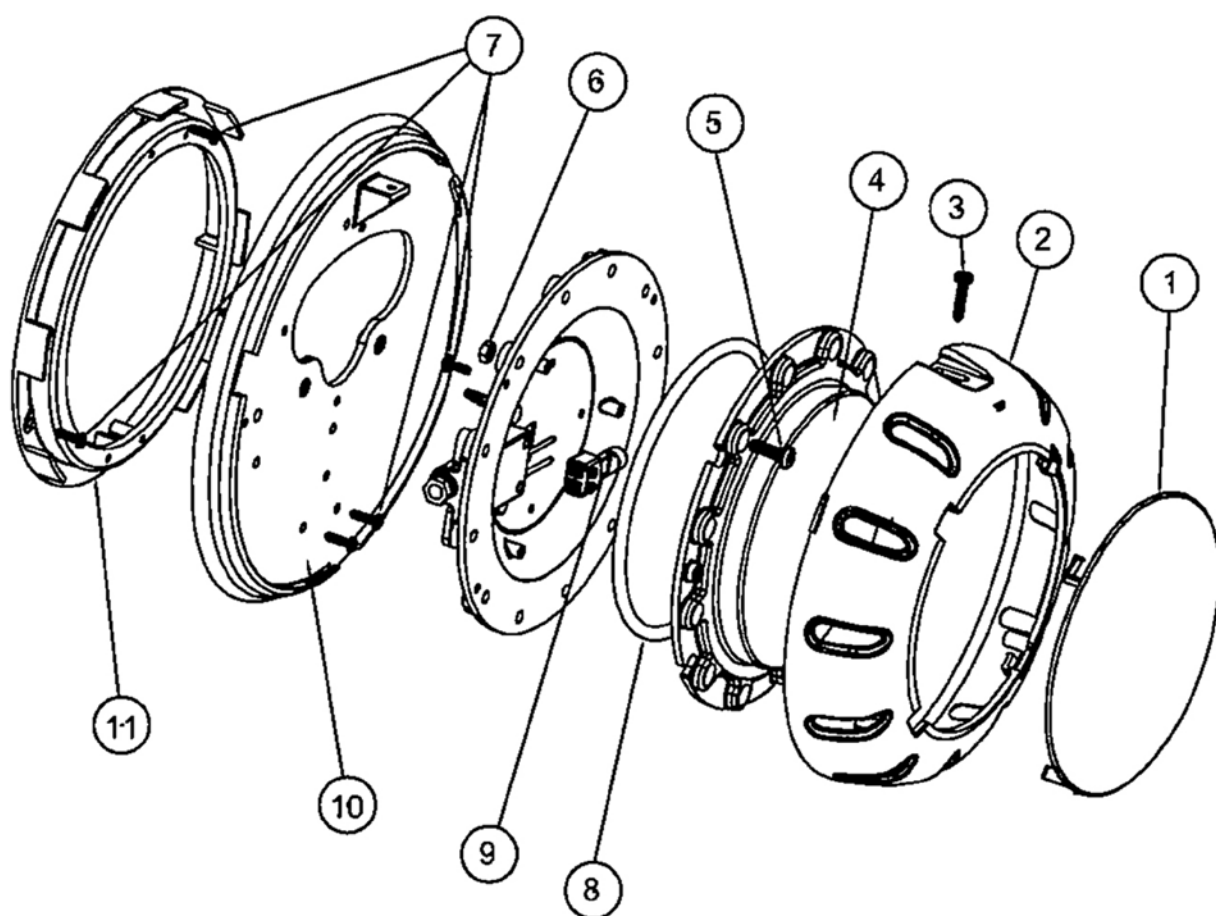
Part Number	Product Description	Diagram Number
2917011	Floor Inlet Top Plate with Slots	1
	Floor Inlet M6x40 SS PH Screw	2
	Screw #12* 1/2 Counter Sunk SS304	3
	Floor Inlet Top Plate	4



Halogen Underwater Light MK4

Product Code: 263300

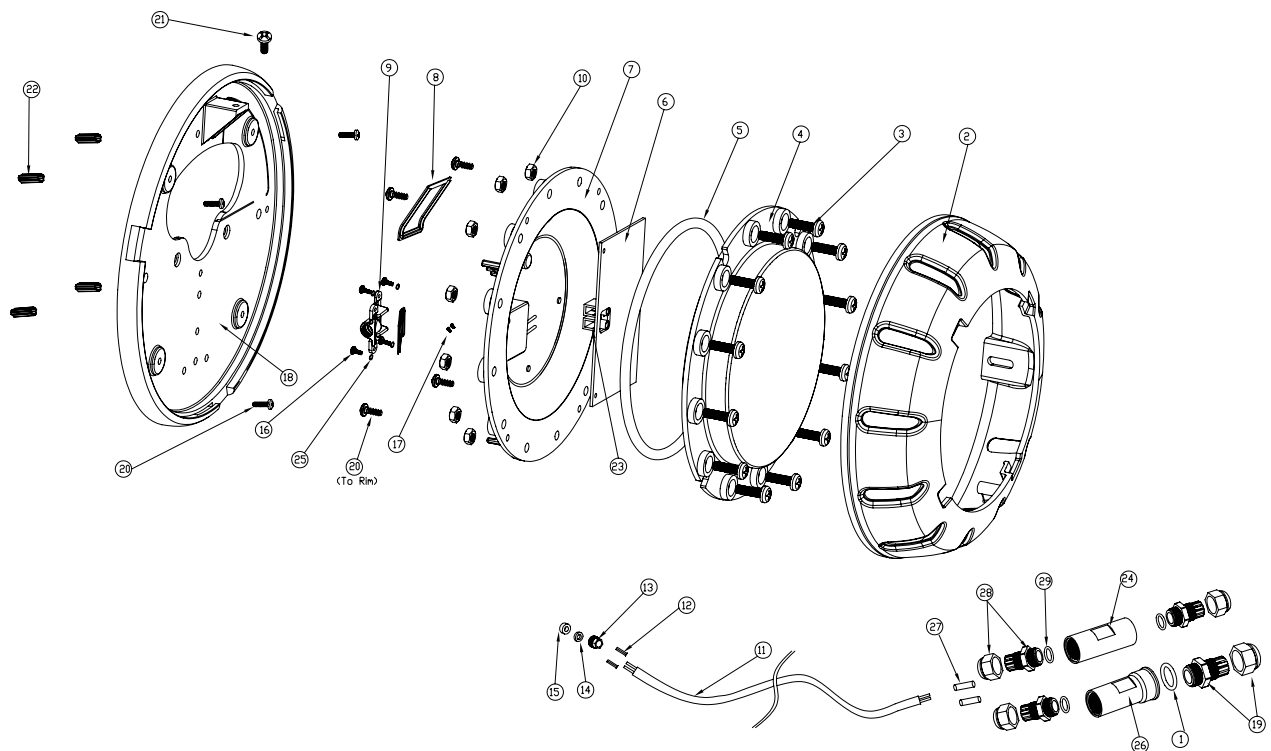
Part Number	Product Description	Diagram Number
266031	Coloured Lens MK4 - Blue	1
650103	Rim Halogen MK4	2
65014	Screw 10G X 16mm	3
650093	Diffuser Lens Halogen MK4 - clear	4
6340061	Screw M6 X 16 (12 reqd)	5
65012	Screw 8G x 5/8 (11 reqd)	8
650082	O'Ring BS436	9
650062	Halogen Globe 12V 100W MK4	9
650063	Halogen Globe 24V 100W MK4	10
6501050	UWL Adaptor Plate T/Lock	11
65001	Wall Ring	
650150	UWL Connector Assy	
650160	UWL Connector Assy - Large	



Litestream LED Warm White Replacement Model

Product Code: 263403

Part Number	Product Description	Diagram Number
S1079811	O Ring BS018	1
650103	Rim Halogen MK4	2
W22275	Screw M6 16 Pan Head	3
650093	Lens Halogen MK4	4
W22397	O Ring BS436	5
W32316	PCB 32-LED Warm White	6
1134350	Back Plate c/w Pin & Ref. Plate	7
650081	Terminal Gasket Halogen MK4	8
65019	Terminal Cover O6	9
6340060	Nut M6	10
8170100	UWL Cable 2 Core 2182 Y	11
W22363	Plastic Washer MK4 06mm	13
W22364	Plastic Nut Halogen MK4 06mm	14
W22365	Rubber Gland O5.8 Hole	15
W22344	Screw M4 10mm Pan Head	16
W22370	Screw M3 6 Pan Head	17
6501050	Adaptor Plate	18
650155	Cable Gland 5-10mm	19
W02214	Screw UWL 8X 5/8 S/S	20
W02216	UWL Screw No.10 x 5/8	21
64576	Salty/SS Plastic Vall Plug	22
W32123	Terminal Block, Barrier 2 POS	23
650154	Joiner Tube UWL	24
W22472	Spring Washer M4	25
650156	Joiner Tube Large UWL	26
8244809	Splice Terminal Blue	27
650152	Cable Gland 4-8mm	28
650153	O Ring 15 1.5mm	29



Britestream Surface Mounted Led Lights

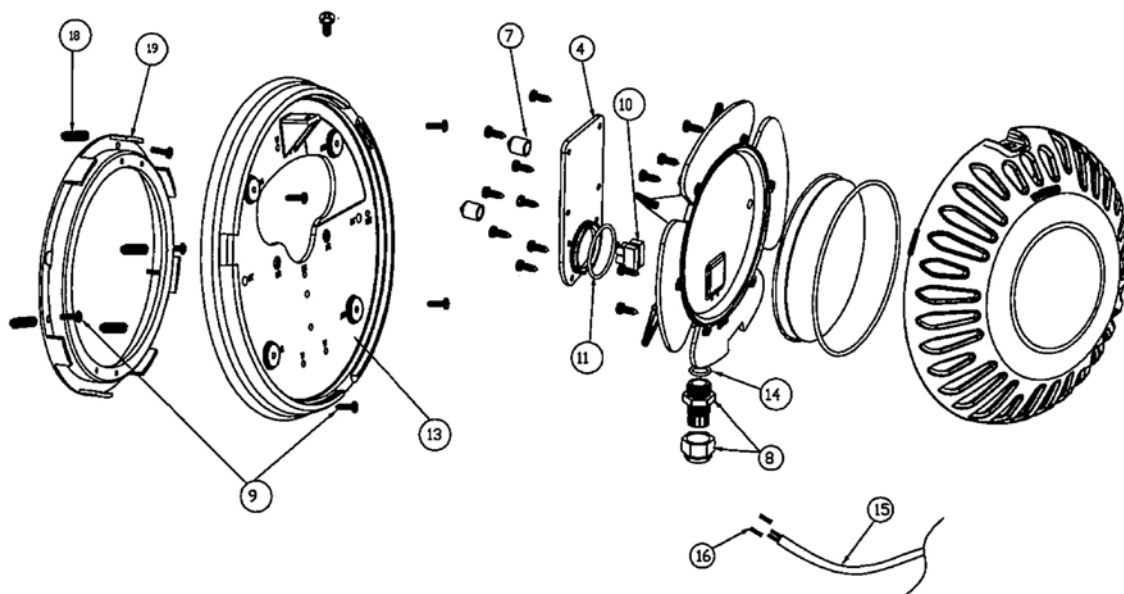
Product Codes: 264305, 264307, 264506

Part Number	Product Description	Diagram Number
650032	L/S BACK PLATE WHITE	
65001	LITESTREAM WALL RING	
65002	LITESTREAM LIGHT BRACKET	
650096	LENS DRESS RING 11MM	
65012	S/S SCREW 8G X 5/8	
65014	S/S SCREW 10G X 5/8	
266022	Britestream Vinyl/Fibreglass Conversion Kit	
266020	Britestream Vinyl Mounting Kit	
650105	Universal Adaptor	
650160	ip68 connector 4/6mm U/Water Light connector assembly Large	

Britestream Surface Mounted MK4/5

Product Codes: 264330, 264332, 264334

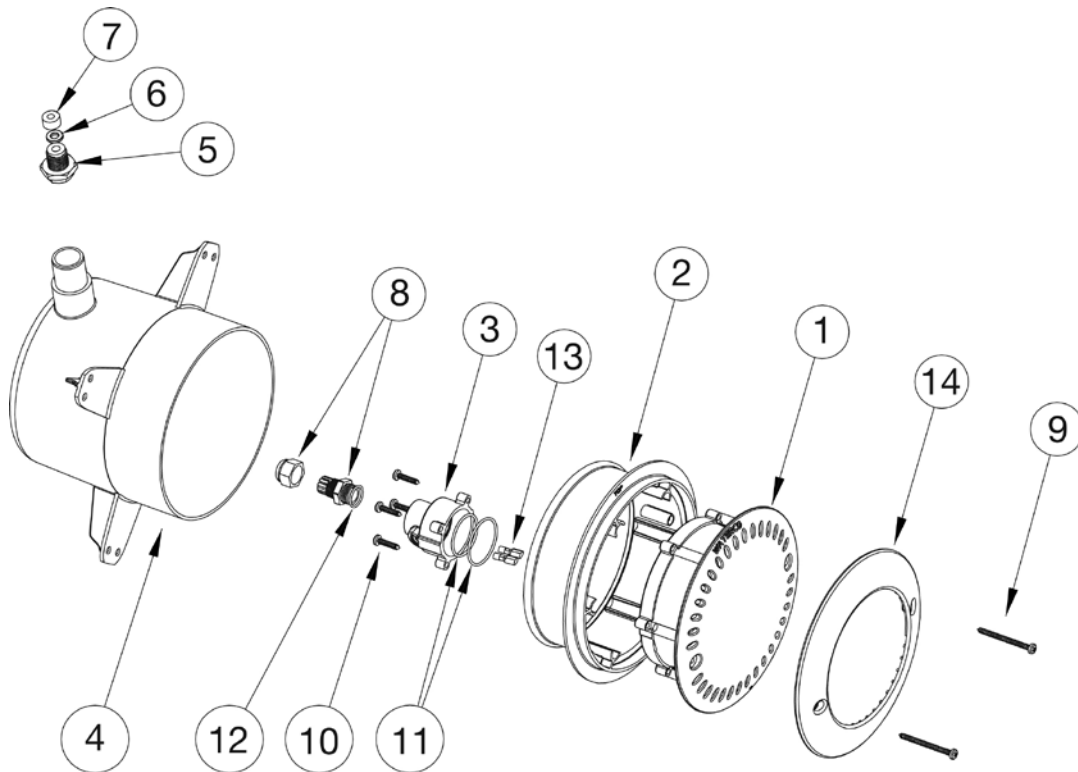
Part Number	Product Description	Diagram Number
650021	Mounting Cover Plate	4
6501115	Cap PTO08	7
650157	Cable Gland	8
65012	Screw UWL	9
650060	Terminal Block	10
6501133	O'Ring 33 X 2 Mtr	11
6501050	Adaptor Plate	13
82444206	O'Ring BS014	14
8170100	Power Cord Led	15
645715	Bootlace Pin	16
64576	Salty/SS Plastic Wall Plug	18
65001	UWL Wall Ring	19



Britestream Niche Led Lights

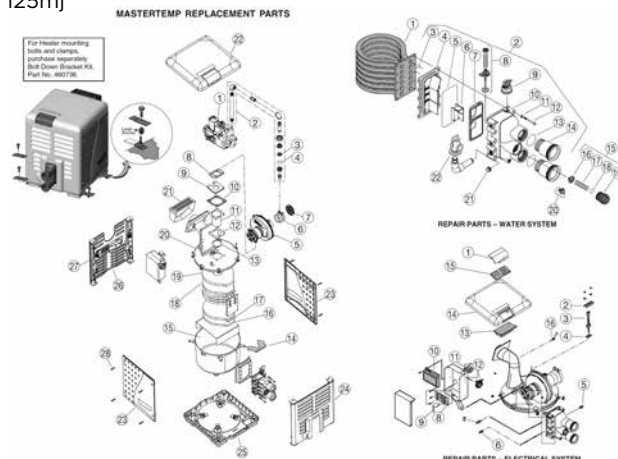
Product Codes: 264411, 264413, 264418

Part Number	Product Description	Diagram Number
264421	Wet niche Assembly Black	
650114	BriteStream niche cable mounting kit	3,8,10,11,12, 13
6501122	Screw x 2	9
6501130	Britestream Stainless Steel Dress Ring	14
264403	UWL niche LED white replacement kit	n/s
650150	Light Retrofit Connector (IP68)	
6501110	Niche Mounting Ring White	2
6501122	Gland Assembly	5,6,7



Master/Turbo Temp Gas Heater

Part Number	Product Description	Diagram Number
BURNER SYSTEM		
68474133Z	Kit Gas Valve Assembly	1
68474134	Kit Gas Orifice NG 400MJ	3 & 4
68474135	Kit Gas Orifice NG 300MJ	3 & 4
68474136	Kit Gas Orifice NG 200MJ	3 & 4
68474137	Kit Gas Orifice LP 400MJ	3 & 4
68474138	Kit Gas Orifice LP 300MJ	3 & 4
68474139	Kit Gas Orifice LP 200MJ	3 & 4
68475133	Kit Conversion NG TO LP 125MJ	3,4,6 & 7
68474140	Kit Conversion NG to LP 400MJ	3,4,6 & 7
68474141	Kit Conversion NG to LP 300MJ	3,4,6 & 7
68474142	Kit Conversion NG to LP 200MJ	3,4,6 & 7
68475134	Kit Conversion LP to NG 125MJ	3,4,6 & 7
68474143	Kit Conversion LP to NG 400MJ	3,4,6 & 7
68474144	Kit Conversion LP to NG 300MJ	3,4,6 & 7
68474145	Kit Conversion LP to NG 200MJ	3,4,6 & 7
68474107	Blower 50Hz AU	5
68474104Z	Kit Blower 50Hz AU	5,6,7,8 & 9
68474105Z	Kit Air Orifice 400MJ	6 & 7
68474106Z	Kit Air Orifice 300MJ	6 & 7
68474107Z	Kit Air Orifice 200MJ	6 & 7
68420020034Z	Heater Top	22
68420020039	Side Panel - Service Panel	23
68420020039Z	Kit Door Molded Mt Replacement	23 & 28
68420020033	Side Panel - Manifold	24
68420020033Z	Kit Front Side Molded Mt Replacement	24 &
68420020031Z	Kit Mt Bottom Cover	25
68420020032Z	Kit Mt Back Pane	26 & 27
684738	Pressure Release Valve Water 45PSI 20mm	
684431106	Metal Flue Collar 100mmX 150mm (4" X 6")	
684431108	Metal Flue Collar 100mmX 200mm (4" X 8")	
270420020025S	Shut off Valve	
68474992	Side Panel (Manifold) 125MJ	
6877707-011	Blower Adapter Plate Gasket Set	
6877007-0008	Insulation Kit 200/300/400mj	
ELECTRICAL SYSTEM		
68474171Z	High Limit Switch AU	6
68420020007S	Control Board Kit NA, LP	13
68474163Z	Kit Wire Harness AU	N/S
68472610Z	Membrane Pad	15
270420010053S	Thermistor	
68420010056S	Terminal Board	
68328500099	Firemans Switch Fuse	
68420020024S	Flue Stack Sensor	
6877707-0054	Ignitor & Gasket Kit	
WATER SYSTEM		
684431144	50mm Half Union (ea) (200/300/400)	
6877707-0010	T/Temp Thermal Regulator	
68474392	T/Temp Manifold Kit	
68474974	Union kit 125mj	

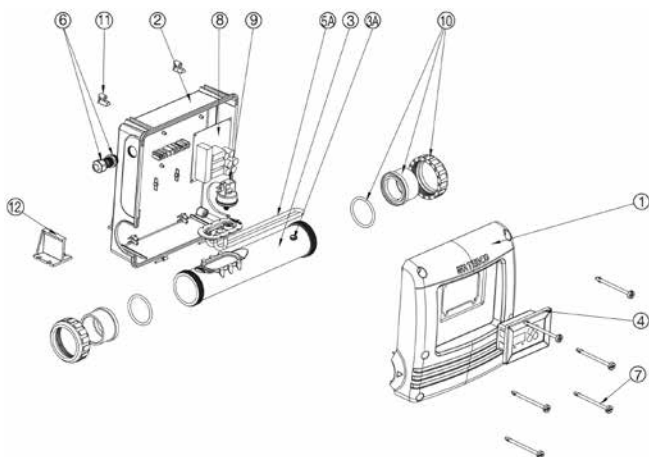


Waterco Digiheat Heater

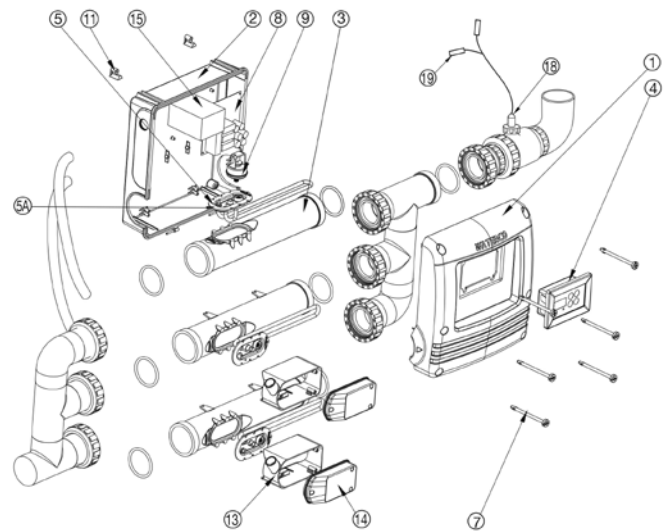
Product Codes: 281048, 281060, 281183, 281243, 281036 & 281024

Part Number	Product Description	Diagram Number
460601	Enclosure	2
4605001	Digiheat Element Housing Drilled	3
86172	Gulfstream Plug	3A
6040400M	Digiheat Control Assembly (display board)	4
636138786	Element 6.0kW coated	5
636138788	Element 8kW coated	5
636138790	Element 2.4W Titanium W/Leads	
636138791	Element 3.6W Titanium W/Leads	
636138793	Element 4.8W Titanium W/Leads	
636138795	Element 6.0W Titanium	
636138796	Element 8.0W Titanium	
620259	O-ring for element	5A
6501124	Cable Gland 10-14mm	6
460506	Quarter Turn Key	7
4603255M	Digiheat Power Board 1ph	8
4603256M	Digiheat Power Board 3ph	8
6367239	Pressure Switch	9
634024542	Half Union 50/40mm Black	10
460507	Mounting Bracket Small	11
460508	Mounting Bracket Large	12
460701	Element Cover Digiheat 3phase	13
460702	Element Cover Cap Digiheat 3phase	14
460334	D25 Contactor	15
85531	Flocheck Valve Digiheat 50mm WCO	
460703	26mm orifice	
85542	Valve Sensing Stem (Digiheat)	18
85168	Black/White Wire Connector #61145	19
460500	Digiheat Heat Element Housing	20
460705	Digiheat Manifold Outlet	
460704	Digiheat Manifold Inlet	
85527	Flocheck Flapper assy 50mm	
460326	Temperature Sensor (come with 6940400M)	
638173	OT Sensor for Titanium Element	
6381731	OT Sensor for Incoloy Element	

Digiheat Single Phase



Digiheat 3 Phase



Electroheat Titanium MKI Model 55 single phase

Part Number	Product Description	Diagram Number
COMPRESSOR		
69501123	Compressor Run Capacitor 50MF/440VAC	NA
HEAT EXCHANGER		
69051312	Heat Exchanger, 16' Titanium	
69201300	Liquid Tight Connector 3/4" (2 required)	5
69201303	Clear Plastic Hose 1/2" ID X 1/4" OD (Pressure Switch) 30" length	7
69201319	Thermostat Well 67.5 mm	9
69201320	Thermostat Well O'Ring	
69801410	Canister Clamp	10
69801504	Canister O'Ring 7 1/4"	11
69801505	Water Inlet and Outlet O'Ring (2 required)	12
69201312	Plastic Cap 3/4" NPT (2 required)	14
122243B	Mac Half Union 40mm Black	
VENTILATION		
69301008	1/8 hp - 900rpm	21
69301110P	Fan Blade 14" Plastic	22
69601128	Fan Grill	36
69201524	Fan Motor Plastic Cap	NA
69701115	Fan Motor Support	NA
EVAPORATION & EXPANSION		
69101437	Capillaries	4
69101345	Filter Dryer	4C
69101358	Expansion Valve TXV 3T	27
SAFETY SYSTEM		
69401006	Water Pressure Switch	32
69801512	Retaining Ring Pressure Switch	NA
69201303	Tube PVC 30"	7
69401002	High Pressure Switch 250 - 425 PSI	23
69401003	Low Pressure Switch 25 - 50 PSI	24
69401030	Defrost Sensor	31
69201306	Npple 1/8" Barb (3 required)	8
CONTROLLER		
69402000	EH Control Assy - All Models	25
69201526	Sun Shade Dig/Control	28
ELECTRIC BOX		
69501008	Contactator	33
69400001	Transformer 220/12/24/Volts	29
69400002	Fan Relay	30
69401016	24V Time Delay - 3 min	NA
* Parts are subject to availability		

* Please refer to diag on page 93

Electroheat Titanium MKI Model 80 single phase

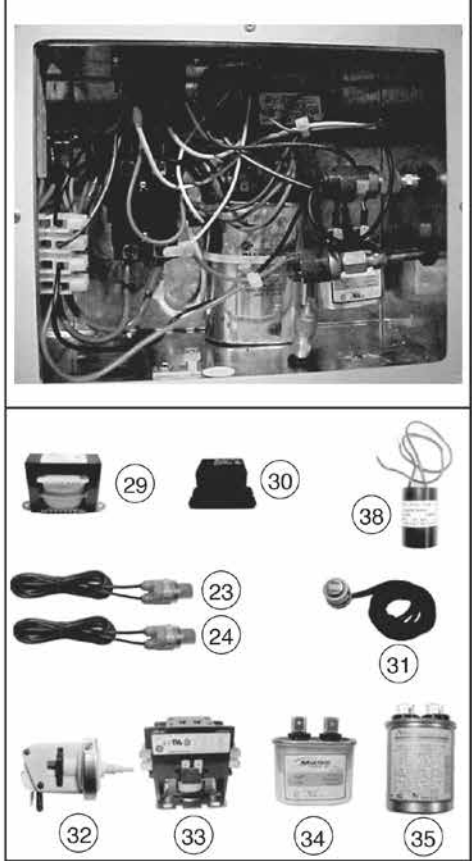
Part Number	Product Description	Diagram Number
COMPRESSOR		
69101009	Compressor 240V - 50Hz 1 phase	1
HEAT EXCHANGER		
69051350	Heat Exchanger Assembly Complete EH80 28 Titanium	A/B
69201300	Liquid Tight Connector 3/4" - 2 required	5
69201303	Clear Plastic Hose 1/2"ID x 1/4"OD (Pressure Switch) - 30" length	7
69201319	Thermostat Well 67.5 mm	9
69201320	Thermostat Well O'ring	
69801410	Canister Clamp	10
69801504	Canister O'Ring 7 1/4"	11
69801505	Water Inlet and Outlet O'Ring - 2 required	12
69201312	Plastic Cap 3/4" NPT - 2 required	14
122243B	Mac Half Union 40mm Black	
VENTILATION		
69301008	1/8" hp - 900 rpm	21
69501103	Fan Motor Run Capacitor	34
69301103	Fan Blade 16"	22
69601129	Fan Grill ElectroHeat 80	36
EVAPORATION & EXPANSION		
69101410	Capillary Assembly	4
69101409	Capillary Kit Sanyo EH80	4
69101302	Refrigerant Distributor 3/8" - 6 tubes	NA
SAFETY SYSTEM		
69401006	Water Pressure Switch	32
69801512	Retaining Ring Pressure Switch	NA
69201303	Tube PVC 30"	7
69401002	High Pressure Switch 250-425PSI	23
69401003	Low Pressure Switch 25-50PSI	24
69401030	Defrost Sensor	31
69201306	Nipple 1/8" Barb - 3 required	8
69401005	Defrost Control	31
CONTROLLER		
69402000	EH Control Assy - All Models	25
69201526	Sun Shade Dig/Control	28
ELECTRIC BOX		
69501008	Contactora 40A/24V/2 Poles	33
69400001	Transformer 240/24-12V	29
69400002	24V Fan Relay	30
69401016	24V Time Delay - 3 min	NA

* Please refer to diag on page 93

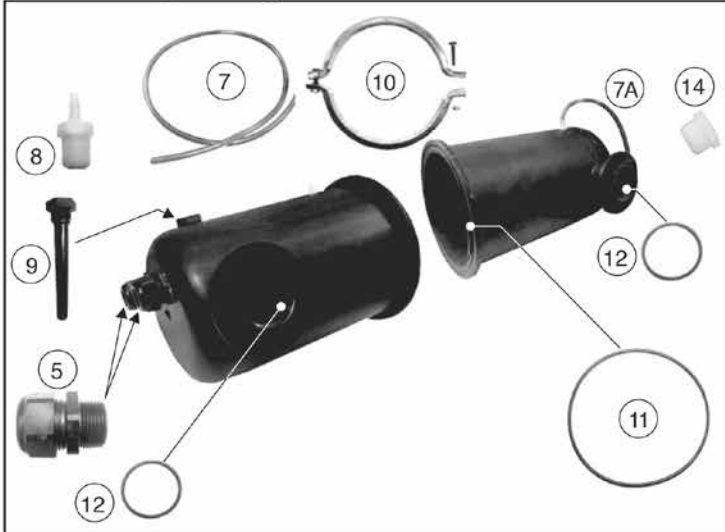
Electroheat Titanium MKI Model 55 & 80 single phase



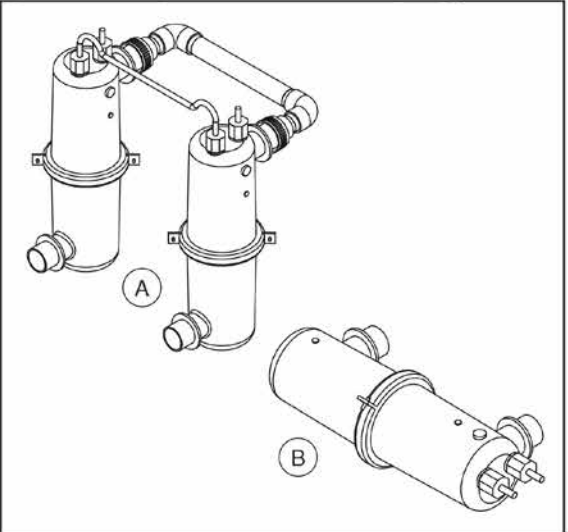
Electrical



Heat Exchanger Parts



Heat Exchanger Assemblies Complete

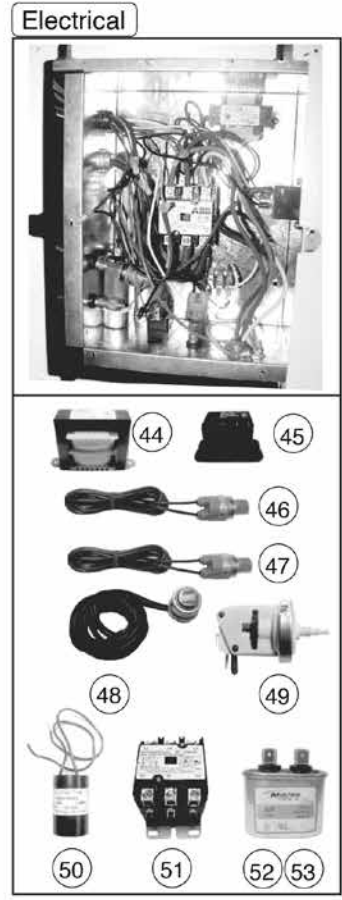
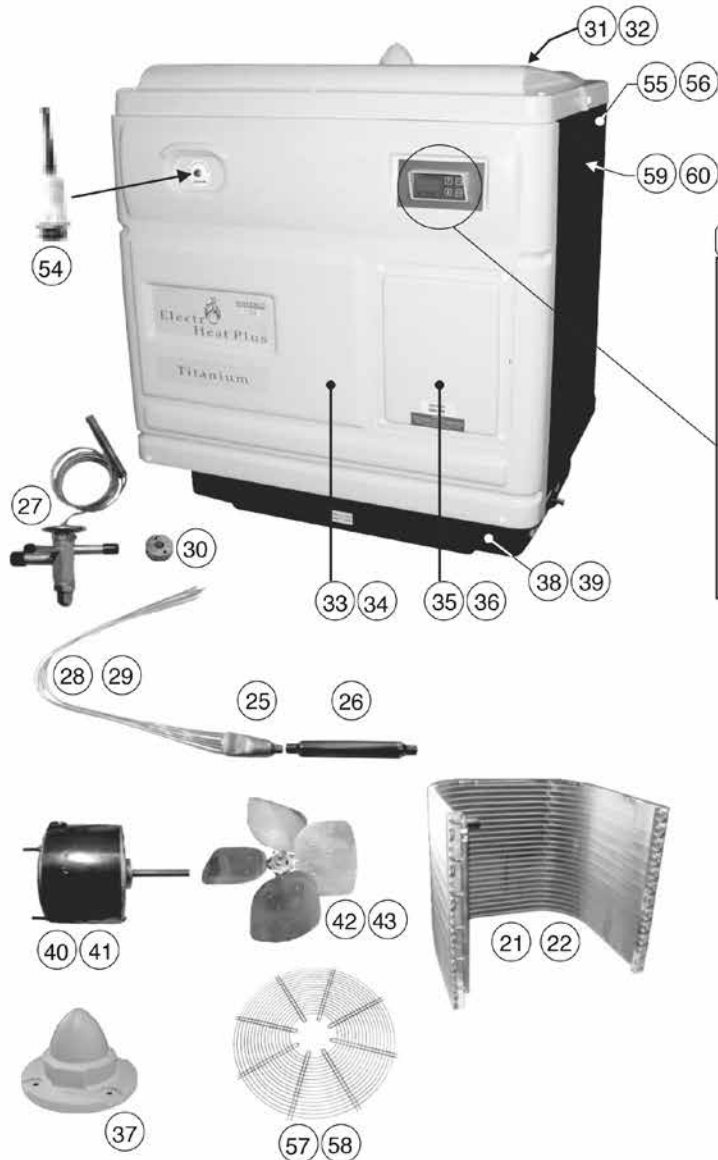


Electroheat Plus MKI Models 85,105,125 150 single and three phase

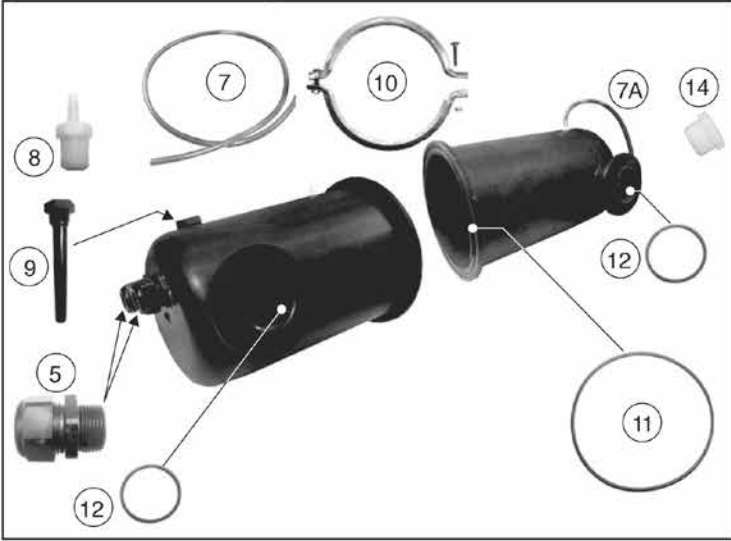
Part Number	Product Description	Diagram Number
69201300	Liquid Tight Connector ¾" - 2 required	5
69201306	Nipple ⅛" Barb - 3 required	8
69201319	Thermostat Well 67.5 mm	9
69201320	Thermostat Well O'ring	
69801504	Canister O'Ring 7¼"	11
69402000	EH Control Assy - All Models	25
69801410	Canister Clamp	10
69201303	Clear Plastic Hose ⅛"ID x ¼"OD (Pressure Switch) - 41" length	7
69201312	Plastic Cap ¾" NPT - 2 required	14
69051505	Digital Control Assembly	13
69101008SA	Compressor 1 phase (85 model)	20
69101012	Compressor Plus 105	20
69101038	Compressor 3 phase (105 model)	20
69101014SA	Compressor 3 phase (125 & 150 models)	20
69101223	Heat Exchanger 24" Assembly complete Titanium (85)	A/B
69101236M	56' Large Align W/Dcoil 19/23kW	34
69101302	Refrigerant Distributor ¾" - 6 tubes	25
69101345	Filter/Dryer	26
69101365	Expansion Valve (150 model)	27
69051317	Capillary - 132" (85 model)	28
69051319	Capillary - 240" (105 model)	28
69051320	Capillary - 180" (125 model)	29
69101355	Orifice G6 (150 model)	30
69201500	Fan Motor Protective Cone	37
69301006	Fan Motor ⅙ hp 900/1075 rpm (85)	40
69301004	Fan Motor ¼ hp 900 rpm (105, 125 & 150)	41
69301106	Fan Blade Plastic 20" (85 model)	42
69301107	Fan Blade 22" (105, 125, and 150 models)	43
69400001	Transformer 240/24-12V	44
69400002	24V Fan Relay	45
69401002	High Pressure Switch 250-425PSI	46
69401003	Low Pressure Switch 25-50PSI	47
69401005	Defrost Control	48
69401006	Water Pressure Switch	49
69801512	Retaining Ring Pressure Switch	N/S
69401016	24V Time Delay - 3min	50
69501009	Contactora 40A/24V 3 Poles	51
69501103	Fan Run Capacitor (85 model)	52
69501205	Green Light - 250V - 28" wires	54
69601103	Fan Grill (85 model)	57
69601104	Fan Grill (105, 125, and 150 models)	58
122243B	Mac Half Union 40mm Black	

* Please refer to diag on page 95

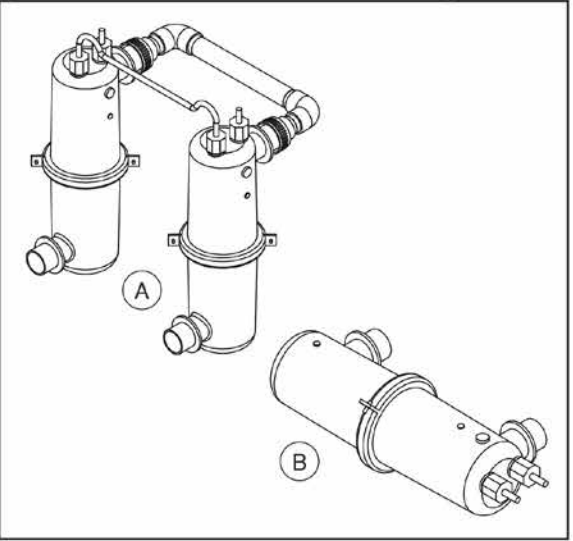
Electroheat Plus MKI Models 85,105,125,150 single and three phase



Heat Exchanger Parts



Heat Exchanger Assemblies Complete



Electroheat Titanium MKII Models 55 & 80 Single Phase

Electroheat Plus MKII Model 85 Single Phase

R407C MANUFACTURED FROM OCT 2009 - JAN 2011

*Important: Please identify the appropriate part number related to the manufacturing date

Part Number	Product Description	Diagram Number
69201524	Cabinet Ventilation Cap	5
69101008DS	Compressor Scroll 4hp R407C (55)	6
69101012	Compressor Plus 105	6
ELECTRICAL		
69501103	Fan Motor Capacitor 5mf - 370 VAC	10
69401006	Water Pressure Switch	11
69801512	Retaining Ring Pressure Switch	11
69501008	Contactora	12
69400001	Transformer	13
69400002	Fan Relay 24V	14
69501110	70 mf - 440 VAC	15
69201303	Tube PVC 30"	16
69501332	Terminal Block 6 Poles	17
69501119	Start Assist (55, 80)	19
69401025	Potential Relay (85)	18
69501126	Start Capacitor (85)	19
69401002FV	425 - 325 PSI Flare R407C	20
69401003V	25 - 50 PSI Flare R407C	21
69101319	Acces Valve Schrader	22
69402000	EH Control Assy - All Models	
69201527	Escutcheon - White	24
69401030	Defrost Sensor Probe - Yellow	25
69401031	Water Temperature Sensor Probe - Black	26
HEAT EXCHANGER		
69101230	20' Small Align (55)	32
69101236M	56' Large Align W/Dcoil 19/23kW	34
122243B	40mm Half Union c/w O'ring Black	43
69051359	Connecting Tube (55, 80)	44
FILTER DRYER		
69101345	½" X 1 ⅝"OD	49
CAPILLARIES & EXPANSION VALVE		
69101425	Capillaries 6 X 34" TC 54 (55)	50
69101409	Capillaries 6 X 22" TC 64 (80)	50
69101372	Expansion Valve 5 Tons R407C (85)	50
FAN GUARD		
69601128	Compact Small (55)	51
69601129	Compact Large (80)	51
69601103	Round Medium (85)	51
FAN MOTOR		
69301008	⅓ hp 900 (55, 80)	52
69301006	⅓ hp 900/1075 RPM (85)	52
FAN BLADES		
69301110P	Fan Blades 14" (55)	53
69301103P	Fan Blades 16" (80)	53
69301106	Fan Blades 20" (85)	53
CANISTER		
69051351	Inlet large (85)	56
69201344	Stabilization Bar 9" (85) Required 1 each for both inlet & outlet	56
69051353	Outlet Large (85)	57
69201359	Plastic Clamp Band (one piece)	64
69801504	Rubber O'ring	65
69201300	Cable Gland ¾ NPT	66
69201306	Hose Nipple	67
69201357	Hose Nipple O'ring	67
69201319	Thermostat Well 67.5 mm	68
69201320	Thermostat Well O'ring	
69501205	Light Indicator (85)	N/S
W22125	Plug 1/8" BSP Heat Pump	

* Please refer to diag on page 100

Electroheat Plus MKII Models 85, 105, 125 & 150 Three Phase

R407C MANUFACTURED FROM OCT 2009 - JAN 2011

*Important: Please identify the appropriate part number related to the manufacturing date

Part Number	Product Description	Diagram Number
69201524	Cabinet Ventilation Cap	5
69101038	Compressor Scroll 5hp R407C (85)	6
69101014	Compressor Scroll 6hp R407C (105)	6
69101040	Compressor Scroll 7hp R407C (125)	
69101047	Compressor Scroll 8hp R407C (150)	6
ELECTRICAL		
69501103	5mf - 370 VAC	10
69401006	Water Pressure Switch	11
69801512	Retaining Ring Pressure Switch	11
69501009	Contactors	12
69400001	Transformer	13
69400002	Fan Relay 24V	14
69401017	Phase Monitor	15
69201303	Clear Rubber Hose	16
69401002FV	425 - 325 PSI Flare R407C	20
69401003V	25 - 50 PSI Flare R407C	21
69101319	Access Valve Schrader	22
69402000	EH Control Assy - All Models	23
69201527	Escutcheon White	24
69401030	Defrost Sensor Probe - Yellow	25
69401031	Water Temperature Sensor Probe - Black	26
HEAT EXCHANGER		
69101236M	56' Large Align W/Dcoil 19/23kW	34
69101225	16' Small Opposite - In (Right) (105)	35
69101226	16' Small Opposite - Out (Left) (105)	36
69101227	20' Small Opposite - In (Right) (125)	37
69101228	20' Small Opposite - Out (Left) (125)	38
69101231	24' Large Opposite - In (Right) (150)	39
69101232	24' Large Opposite - Out (Left) (150)	40
122243B	40mm Half Union c/w O'ring Black	43
69051359	Connecting Tube	44
FILTER DRYER		
69101345	1/2" X 1 5/8" OD (85)	49
69101339	1/2" ODF 5 Tons (105, 125 & 150)	49
EXPANSION VALVE		
69101359	Expansion Valve 4 Tons R407C	50
69101372	Expansion Valve 5 Tons R407C (85)	50
69101365	Expansion Valve 6 Tons R407C (105)	50
FAN GUARD		
69601103	Round Medium (85)	51
69601104	Round Large (105, 125 & 150)	51
FAN MOTOR		
69301006	1/4 hp 900/1075 RPM (85)	52
69301004	1/4 hp 900 RPM (105, 125 & 150)	52
FAN BLADES		
69301106	Fan Blades 20" (85)	55
69301107	Fan Blades 22" (105, 125 & 150)	55
CANISTER		
69201359	Plastic Clamp Band (one piece)	64
69801504	Rubber O'ring	65
69201300	Cable Gland 3/4 NPT	66
69201306	Hose Nipple	67
69201357	Hose Nipple O'ring	67
69201319	Thermostat Well 67.5 mm	68
69201320	Thermostat Well O'ring	
69501205	Light Indicator (85)	N/S
W22125	Plug 1/8" BSP Heat Pump	

* Please refer to diag on page 100

Electroheat Titanium MKIII Models 16kW & 23kW Single Phase

Electroheat Plus MKIII Model 25kW Single Phase

MANUFACTURED FROM JAN 2011 TO DATE.

*Important: Please identify the appropriate part number related to the manufacturing date.

Part Number	Product Description	Diagram Number
69201524	Cabinet Ventilation Cap	5
69101008DS	Compressor Scroll 4hp R407C (16KW)	6
69101078CS	Compressor Scroll 4hp R410A (16KW)	6
69101075DS	Compressor Scroll 5hp R410A (23KW)	6
69101076DS	Compressor Scroll 6hp R410A (25KW)	6
ELECTRICAL		
69501103	Fan Motor Capacitor 5mf - 370 VAC	10
69401006	Water Pressure Switch	11
69801512	Retaining Ring Pressure Switch	11
69501008	Contactora	12
69400001	Transformer	13
69400002	Fan Relay 24V	14
69501110	70 mf - 440 VAC (16KW)	15
69501127	80 mf - 440 VAC (16KW)	15
69501106	55 mf - 440 VAC (23KW)	15
69201303	Tube PVC 30"	16
69501333	Terminal Block 10 Poles (16KW, 23KW)	17
69501119	Start Assist (16KW, 23KW)	19
69401002FV	425 - 325 PSI Flare R407C (16KW)	20
69401034V	565 - 400 PSI Flare R410A	20
69401003V	25 - 50 PSI Flare R407C (16KW)	21
69401033V	55 - 75 PSI Flare R410A	21
69101311	Acces Valve Schrader 5/16"	22
69402000	EH Control Assy - All Models	
69201527	Escutcheon White	24
69401030	Defrost Sensor Probe - Yellow	25
69401031	Water Temperature Sensor Probe - Black	26
HEAT EXCHANGER		
69101230	20' Small Align (16KW)	32
69101236M	56' Large Align W/Dcoil 19/23kW	34
122243B	40mm Half Union c/w O'ring Black	43
FILTER DRYER		
69101345	1/2" X 1 5/8" OD	49
CAPILLARIES & EXPANSION VAIVE		
69101425	Capillaries 6 X 34" TC 54 R407C (16KW)	50
69101451	Capillaries 6 X 41" TC 64 R410A (16KW)	50
69101405	Capillaries 6 X 24" TC 64 R410A (23KW)	50
69101377	Expansion Valve 5 Tons R410A (25KW)	50
FAN		
69601128	Compact Small (16KW) Guard	51
69601129	Compact Large (23KW) Guard	51
69601103	Round Medium (25KW) Guard	51
69301008	1/8 hp 900 (16KW, 23KW) Fan Motor	52
69301006	1/8 hp 900/1075 RPM (25KW) Fan Motor	52
69301110P	Fan Blades 14" (13KW)	53
69301103P	Fan Blades 16" (23KW) - old	53
69301106P	Fan Blades 20" (25KW)	53
CANISTER		
69051351	Inlet large (25KW)	56
69201344	Stabilization Bar 9" (25KW) Required 1 each for both inlet & outlet	56
69051353	Outlet Large (25KW)	57
69201359	Plastic Clamp Band (one piece)	64
69801504	Rubber O'Ring	65
69201300	Cable Gland 3/4 NPT	66
69201306	Hose Nipple	67
69201357	Hose Nipple O'Ring	67
69201319	Thermostat Well 67.5 mm	68
69201320	Thermostat Well O'Ring	68
69501205	Light Indicator	N/S
W22125	Plug 1/8" BSP Heat Pump	

Electroheat Plus MKIII

Models 25kW, 31kW, 37kW & 44kW Three Phase

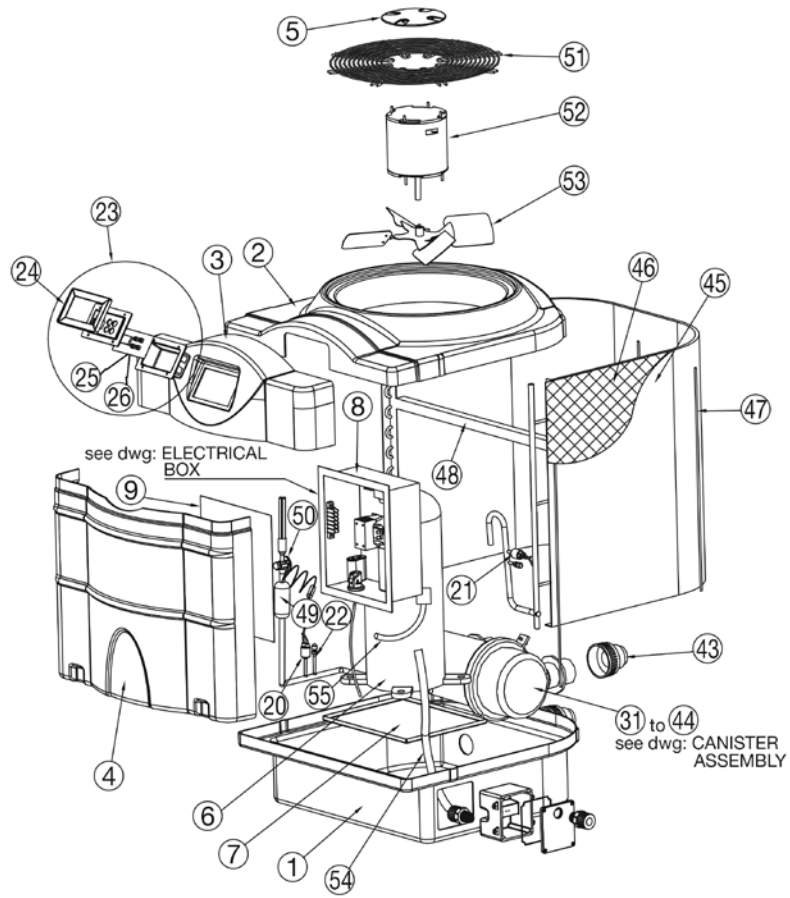
MANUFACTURED FROM JAN 2011 TO DATE.

*Important: Please identify the appropriate part number related to the manufacturing date.

Part Number	Product Description	Diagram Number
69201524	Cabinet Ventilation Cap	5
69101065	Compressor Scroll 6hp R410A (25KW)	6
69101070	Compressor Scroll 7hp R410A (31KW)	6
69101071SA	Compressor Scroll 8hp R410A (37KW)	6
69101072SA	Compressor Scroll 10hp R410A (44KW)	6
ELECTRICAL		
69501103	Fan Motor Capacitor 5mf - 370 VAC	10
69401006	Pressure switch	11
69801512	Flat Washer	11
69501009	Contactora	12
69400001	Transformer	13
69400002	Relay 24V	14
69401017	Phase Monitor	15
69201303	Clear Rubber Hose	16
69401034V	565 - 400 PSI Flare R410A	20
69401033V	55 - 75 PSI Flare R410A	21
69101311	Acces Vavle Schrader 5/16"	22
69402000	EH Control Assy - All Models	
69201527	Escutcheon White	24
69401030	Defrost Sensor Probe - Yellow	25
69401031	Water Temperature Sensor Probe - Black	26
HEAT EXCHANGER		
69101236M	56' Large Align W/Dcoil 19/23kW	34
69101227	20' Small Opposite - In (Right) (31KW, 37KW)	37
69101228	20' Small Opposite - Out (Left) (31KW, 37KW)	38
69101233	28' Large Opposite - In (Right) (44KW)	41
69101234	28' Large Opposite - Out (Left) (44KW)	42
122243B	40mm Half Union c/w O'Ring Black	43
69051359	Connecting Tube (31KW, 37KW & 44KW)	44
FILTER DRYER		
69101345	1/2" X 1 5/8" OD (25KW)	49
69101339	1/2" ODF 5 Tons (31KW, 37KW & 44KW)	49
EXPANSION VALVE		
69101377	Expansion Valve 5 Tons R410A (25KW)	50
69101378	Expansion Valve 6 Tons R410A (31KW)	50
69101379	Expansion Valve 8 Tons R410A (37KW)	50
69101380	Expansion Valve 9 Tons R410A (44KW)	50
FAN		
69601103	Round Medium (25KW) Guard	51
69601104	Round Large (31KW, 37KW & 44KW) Guard	51
69301006	1/8 hp 900/1075 RPM (25KW) Fan Motor	52
69301004	1/4 hp 900 RPM (31KW, 37KW & 44KW) Fan Motor	52
69301106	Fan Blades 20" (16, 25KW)	55
69301107	Fan Blades 22" (31KW, 37KW & 44KW)	55
CANISTER		
69201359	Plastic Clamp Band (one piece)	64
69801504	Rubber O'Ring	65
69201300	Cable Gland 3/4 NPT	66
69201306	Hose Nipple	67
69201357	Hose Nipple O'Ring	67
69201319	Thermostat Well 67.5 mm	68
69201320	Thermostat Well O'Ring	68
69501205	Light Indicator	N/S
69201217-G	EH Panel Top (31KW, 37KW & 44KW)	
W22125	Plug 1/8" BSP Heat Pump	

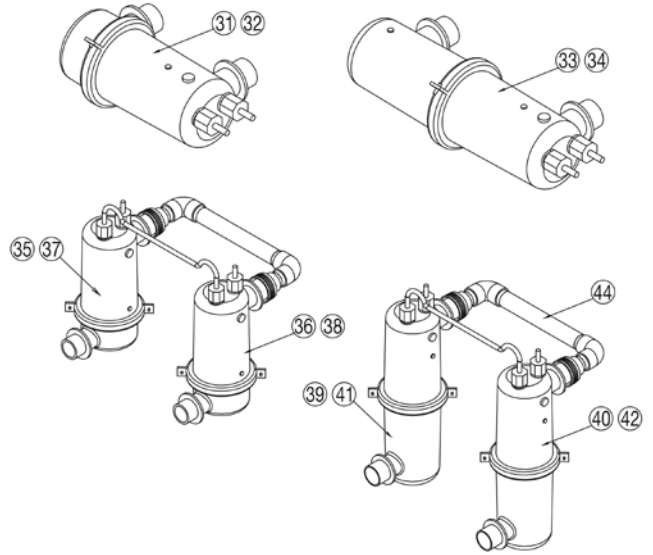
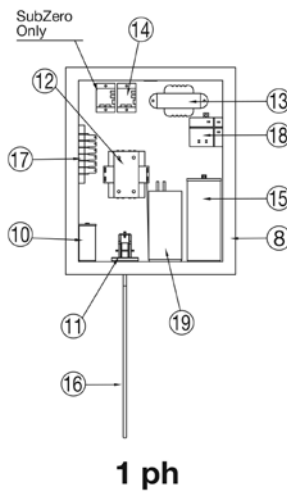
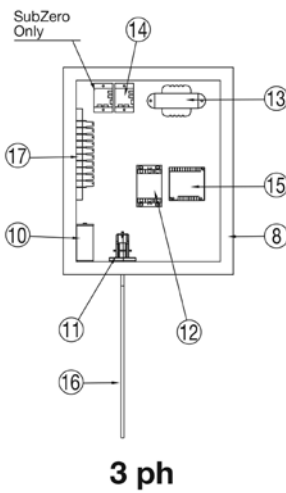
* Please refer to diag on page 100

Electroheat Plus MKII & MKIII



Electrical Box
(all models)

Canister Assembly
(all models)



The images are for illustration only and may differ slightly to your unit model.

Electroheat Subzero Models 55 & 75 Single Phase

R407C Manufactured from Oct 2009 up till Jan 2011

*Important: Please identify the appropriate part number related to the manufacturing date.

Part Number	Product Description	Diagram Number
69201524	Ventilation Cap	5
69101008DS	Compressor HRP040T5LP6 EH55	6
69101012	Compressor E/Heat Plus 105	6
ELECTRICAL		
69501103	Fan Motor Capacitor 5mf - 370 VAC	10
69401006V	Water Pressure Switch	11
69501008	Contactator	12
69400001	Transformer	13
69400002	Fan Relay 24 V	14
69501017	Run Capacitor 60 nf - 440 VAC (55)	15
69501119	Start Assist (75)	19
69401002V	425 - 325 PSI Flare R407C	20
69401003E	15 - 35 PSI Flare	21
69101319	Acces Valve Schrader	22
69401036	Control Assembly - Ultra	23
HEAT EXCHANGER		
69101223	24' Large Align (55)	33
69101236M	56' Large Align W/Dcoil 19/23kW	34
122243B	40mm Half Union c/w O'Ring Black	43
FILTER DRYER		
69101340	Bi-Flow ½" ODF 5 Tons	
EXPANSION VALVE		
69101359	Expansion Valve 4 Tons R407C	50
69101372	Expansion Valve 5 Tons Subzero 75	50
FAN		
69601103	Round Medium (55) Guard	51
69601104	Round Large (75) Guard	51
69301006	½ hp 900/1075 RPM (55) Fan Motor	52
69301004	¼ hp 900 RPM (75) Fan Motor	
69301106	Fan Blades 20" (55)	53
69301107	Fan Blades 22" (55)	53
CANISTER		
69201359	Plastic Clamp Band (one piece)	64
69801504	Rubber O'Ring	65
69201300	Cable Gland ¾ NPT	66
69201306	Hose Nipple	67
69201357	Hose Nipple O'Ring	67
69201319	Thermostat Well 67.5 mm	68
69201320	Thermostat Well O'Ring	68
W22125	Plug 1/8" BSP Heat Pump	
OTHERS		
69501205	Light Indicator	70
69101362	4 Way Reversing Valve	71
69101501	Suction Line Accumulator (55)	72
69101502	Suction Line Accumulator (75)	72

* Please refer to diag on page 105

Electroheat Subzero Models 75 & 100 Three Phase

R407C Manufactured from Oct 2009 up till Jan 2011

*Important: Please identify the appropriate part number related to the manufacturing date

Part Number	Product Description	Diagram Number
69201524	Ventilation Cap	5
69101038	Compressor E/Heat Plus 1053PH	6
69101014SA	Compressor Scroll 6 hp 3 ph R407C (100)	6
ELECTRICAL		
69501103	Fan Motor Capacitor 5mf - 370 VAC	10
69401006V	Pressure Switch	11
69501009	Contactora	12
69400001	Transformer	13
69400002	Fan Relay 24 V	14
69401017	Phase Monitor	15
69401002V	High Pressure Switch R407c Flare Type	20
69401003E	15 - 35 PSI Flare	21
69101319	Acces Valve Schrader	22
69401036	Control Assembly - Ultra	23
HEAT EXCHANGER		
69101236M	56' Large Align W/Dcoil 19/23kW	34
69101225	16' Small Opposite - In (right) 100	35
69101226	16' Small Opposite - Out (Left) 100	36
122243B	40mm Half Union c/w O'ring Black	43
FILTER DRYER		
69101340	Bi-Flow ½" ODF 5 Tons	49
EXPANSION VALVE		
69101359	Expansion Valve 4 Tons (75) R407C	50
69101372	Expansion Valve 5 Tons (100) R407C	50
FAN		
69601104	Round Large Guard	51
69301004	¼ hp 900 RPM Fan Motor	52
69301107	Fan Blades 22"	53
CANISTER		
69201359	Plastic Clamp Band (one piece)	64
69801504	Rubber O'Ring	65
69201300	Cable Gland ¾ NPT	66
69201306	Hose Nipple	67
69201357	Hose Nipple O'Ring	67
69201319	Thermostat Well 67.5 mm	68
69201320	Thermostat Well O'Ring	68
W22125	Plug 1/8" BSP Heat Pump	
OTHERS		
69801616	Sound Blanket (100)	69
69501205	Light Indicator	70
69101362	4 Way Reversing Valve	71
69101502	Suction Line Accumulator	72

* Please refer to diag on page 105

Electroheat Ultra Models 16kW & 22kW Single Phase

R410 Manufactured since Jan 2011 to date

*Important: Please identify the appropriate part number related to the manufacturing date

Part Number	Product Description	Diagram Number
69201524	Ventilation Cap	5
69101076DS	Compressor Scroll 6 hp R410A (22KW)	6
69101074SA	Compressor Scroll 4.5 hp R410A (19KW)	
69101076DS	Compressor Scroll 6 hp R410A (23KW)	
ELECTRICAL		
69501103	Fan Motor Capacitor 5mf - 370 VAC	10
69401006V	Pressure switch	11
69501008	Contactors	12
69400001	Transformer	13
69400002	Fan Relay 24 V	14
69501017	Run Capacitor 60 mf - 440 VAC (16KW)	15
69501106	Run Capacitor 55 mf - 440 VAC (22KW)	15
69501119	Start Assist (22KW)	19
69401034V	565 - 400 PSI Flare R410A	20
69401033V	55 - 75 PSI Flare R410A	21
69101311	Access Valve Schrader 5/16"	22
69401036	Control Assembly - multi functions	23
HEAT EXCHANGER		
69101223	24' Large Align (55)	33
69101225	16' Small Opposite - In (Right) 22KW	35
69101226	16' Small Opposite - Out (Left) 22KW	36
122243B	40mm Half Union c/w O'Ring Black	43
69101236M	56' Large W/Dcoil 19/23kW	
FILTER DRYER		
69101340	Bi-Flow 1/2" ODF 5 Tons	49
EXPANSION VALVE		
69101381	Expansion Valve 4 Ton R410A	50
FAN		
69601103	Round Medium (16KW) Guard	51
69601104	Round Large (22KW) Guard	51
69301006	1/8 hp 900/1075 RPM (16KW) Fan Motor	52
69301004	1/4 hp 900 RPM (22KW) Fan Motor	52
69301106	Fan Blades 20" (16KW)	53
69301107	Fan Blades 22" (22KW)	53
CANISTER		
69201359	Plastic Clamp Band (one piece)	64
69801504	Rubber O'Ring	65
69201300	Cable Gland 3/4 NPT	66
69201306	Nipple 1/8" Barb	67
69201357	Hose Nipple O'Ring	67
69201319	Thermostat Well 67.5 mm	68
69201320	Thermostat Well O'Ring	68
W22125	Plug 1/8" BSP Heat Pump	
OTHERS		
69501205	Light Indicator	70
69101362	4 Way Reversing Valve	71
69101501	Suction Line Accumulator	72
69401030	Defrost Sensor Probe - Yellow	
69401031	Water Temperature Sensor Probe - Black	

* Please refer to diag on page 105

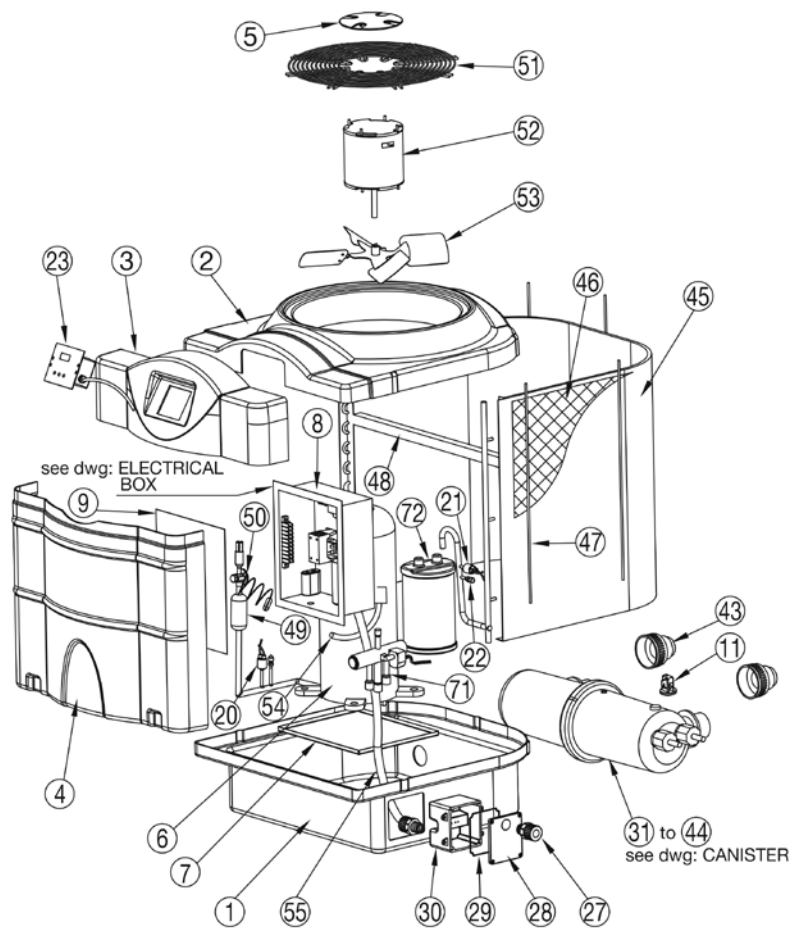
Electroheat Ultra Models 22kW, 31kW & 44kW Three Phase

R410 Manufactured since Jan 2011 to date

Part Number	Product Description	Diagram Number
69201524	Ventilation Cap	5
69101014SA	Compressor Scroll 6 hp R407C (22KW)	6
69101065SA	Compressor Scroll 6 hp R410A (22KW)	6
69101070SA	Compressor Scroll 7 hp R410A (31KW)	6
69101072SA	Compressor Scroll 10 hp (44KW)	6
ELECTRICAL		
69501103	Fan Motor Capacitor 5mf - 370 VAC	10
69401006V	Pressure Switch	11
69501009	Contactors	12
69400001	Transformer	13
69400002	Relay 24 V	14
69401017	Phase Monitor	15
69401002V	High Pressure Switch R407c Flare Type	20
69401034V	565 - 400 PSI Flare R410A (all Models)	20
69101311	Access Valve Schrader 5/16"	22
69401036	Control Assembly Multi function	23
HEAT EXCHANGER		
69101225	16' Small Opposite - In (Right) 22KW	35
69101226	16' Small Opposite - Out (Left) 22KW	36
69101227	20' Small Opposite - In (Right) 29KW	37
69101228	20' Small Opposite - Out (Left) 29KW	38
69101236MR	Large Opposite - In (Right) 44KW	
69101236ML	Large Opposite - Out (Left) 44KW	
122243B	40mm Half Union c/w O'ring Black	43
FILTER DRYER		
69101340	Bi-Flow 1/2" ODF 5 Tons	49
EXPANSION VALVE		
69101372	Expansion Valve 5 Ton R407C (22KW)	50
69101377	Expansion Valve 5 Ton R410A (22KW)	50
69101378	Expansion Valve 6 Ton R410A (31KW)	50
69101380	Expansion Valve 9 Ton R410A (44KW)	
FAN		
69601104	Round Large Guard	51
69301004	1/4 hp 900 RPM Fan Motor	52
69301107	Fan Blades 22"	53
CANISTER		
69201359	Plastic Clamp Band (one piece)	64
69801504	Rubber O'Ring	65
69201300	Cable Gland 3/4 NPT	66
69201306	Nipple 1/8" Barb (3 required)	67
69201357	Hose Nipple O'Ring	67
69201319	Thermostat Well 67.5 mm	68
69201320	Thermostat Well O'Ring	68
W22125	Plug 1/8" BSP Heat Pump	
OTHERS		
69501205	Light Indicator	70
69101362	4 Way Reversing Valve	71
69101501	Suction Line Accumulator	72
69201217-G	Top Panel (29KW & 44KW)	

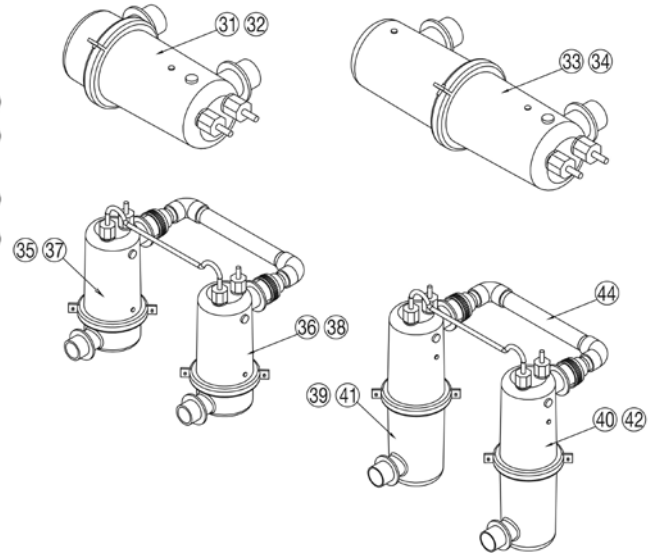
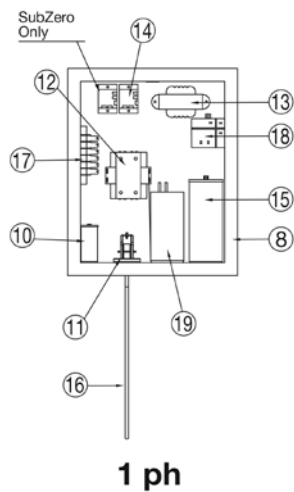
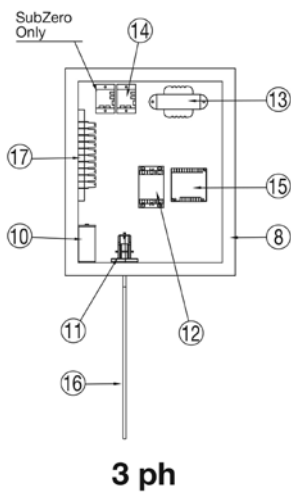
* Please refer to diag on page 105

Electroheat SubZero and Ultra



Electrical Box
(all models)

Canister Assembly
(all models)



Electroheat MKIV & Ultra

Product Codes: 278092, 278094, 278122, 278151, 278191, 278231, 2781911, 2782311

Part Number	Product Description	Diagram Number
COMPRESSOR		
69101024HI	Compressor Rotary 2.4 Hp R410 Ash218sv-C8lu 220/240-50-1 10-1024Hi - 9kW	
69101083HI	Compressor Rotary 3 Hp R410 Ash264sv-C8lu 220/240-50-1 10-1083Hi - 12kW	
69101084HI	Compressor Rotary 3.2 Hp R410 Ath280tv-C9lu 220/240-50-1 10-1084Hi - 15kW	
69101074SA	Compressor Scroll 4.5 Hp R410a 220/240-50-1 C-Sbp160h15a 10-1074Sa - 19kW	
69101076DS	Compressor Scroll 6.0 Hp R410a 220/240-50-1 Hlh068t5lc6 10-1076Ds - 23kW	
HEAT EXCHANGER		
69051348	Heat Exchanger E/Heat 80 24" Large Align	
69101235M	Heat Exchanger 28' Small Align With Double Coil 10-1235M - 9kW (278094, 12kW & 15kW)	
69101236M	56' Large Align W/Dcoil 19/23kW	
69201300	¾" Liquid Tight Connector H/Pump 20-1300 - All	
122243B	40mm Half Union C/W O'Ring Black - All	
69201319	Thermostat Well - All	
69201320	Thermostat Well O'Ring - All	
W22125	Plug 1/8" BSP Heat Pump	
CAPILLARY		
69051361	Capillary Kit with Distributor 3 X 21" Tc54 - 9kW, 12kW & 15kW	
69101388	Bi Flow Distributor Assembly #89 With Strainer ¾" - 19kW	
69101389	Bi Flow Distributor Assembly #102 With Strainer ¾" 23kW	
69401379	Reversing Valve Assembly Ultra - 19Kw & 23Kw	
ELECTRICAL		
69401006V	Flow Pressure Switch Adjustable - Flare ¾ Npt 40-1006A-V - All	
69301023	Fan Motor 45W 208-230 50/60Hz 6P - All	
69301116	Fan Blades 18" 12.7Mm Pp + Fibre - All	
69601131	Fan Guard 18" - All	
69501008	Contactors - All	
69400001	Transformer - All	
69400002	Fan Relay 24V - All	
69402000	Heat Pump Control Assy W Diagnostics - 9kW, 12kW, 15kW, 19kW & 23kW	
69401036	Heat Pump Control Assy Reversing W/Diagn 40-1036 - Ultra 19kW & 23kW	
69201531	Escutcheon Assy Black Tinted Clear Cover 20-1531 - All	
69401033V	Low Press Switch R410 55 - 75 PSI - All	
69401034V	High Press Switch R410 565 - 400 PSI - All	
69401030	Defrost Sensor Probe - Yellow - All	
69401031	Water Temperature Sensor Probe - Black - All	
69501121	Fan Motor Run Capacitor 3micra - 450VAC	
69501105	Comp Run Capacitor 45micra 440VAC	
69501017	Comp Run Capacitor 60micra 440VAC	
69501106	Comp Run Capacitor 55micra 440VAC	
BODY PANELS		
69201940	Base Panel Black - All	
69201942	Top Panel Black - All	
69601117	Support Rod Small - All	
69201941	Front Panel - All	

Electroheat MKV & Ultra

Product Codes: 278095, 278123, 278152, 278192, 278232, 278234, 2782312

Part Number	Product Description	Diagram Number
69101024HI	Compressor Rotary 2.4 HP R410 ASH218SV-C8LU 220/240-50-1 10-1024HI - 9KW	
69101083HI	Compressor RotaryY 3 HP R410 ASH264SV-C8LU 220/240-50-1 10-1083HI - 12KW	
69101084HI	Compressor Rotary 3.2 HP R410 ATH280TV-C9LU 220/240-50-1 10-1084HI - 15KW	
69101074SA	Compressor Scroll 4.5 HP R410A 220/240-50-1 C-SBP160H15A 10-1074SA - 19KW	
69101076DS	Compressor Scroll 6.0 HP R410A 220/240-50-1 HLH068T5LC6 10-1076DS - 23KW	
HEAT EXCHANGER		
69051348	Heat Exchanger E/Heat 80 24" Large Align	
69101235M	Heat Exchanger 28" Small Align With Double Coil 10-1235M - 9KW (278095, 12KW & 15KW)	
69101236M	Heat Exchanger 56" Large Align With Double Coil 10-1236M - 19KW & 23KW	
69201300	¾" Liquid Tight Connector H/Pump 20-1300 - All	
122243B	40mm Half Union C/W O Ring Black - All	
69201319	Thermostat Well - All	
69201320	Thermostat Well O Ring - All	
W22125	Plug ⅛" BSP Heat Pump	
CAPILLARY		
69051361	Capillary Kit With Distributor 3 X 21" TC54 - 9KW, 12KW & 15KW	
69101388	Bi Flow Distributor Assembly #89 With Strainer ¾" - 19KW	
69101389	Bi Flow Distributor Assembly #102 With Strainer ¾" 23KW	
69401379	Reversing Valve Assembly Ultra - 19KW & 23KW	
ELECTRICAL		
69401006V	Flow Pressure Switch Adjustable - Flare ¾ NPT 40-1006A-V - All	
69301023	FAN MOTOR 45W 208-230 50/60hZ 6P - All	
69301116	FAN BLADES 18" 12.7MM PP + FIBRE - All	
69601131	FAN GUARD 18" - All	
69501008	CONTACTOR - All	
69400001	TRANSFORMER - All	
69400002	FAN RELAY 24V - All	
69402000	Heat Pump Control Assy W Diagnostics - 9KW, 12KW, 15KW, 19KW & 23KW	
69401036	Heat Pump Control Assy Reversing W/Diagn 40-1036 - Ultra 19KW & 23KW	
69201531	Escutcheon Assy Black Tinted Clear Cover 20-1531 - All	
69401033V	Low Press Switch R410 55 - 75 PSI - All	
69401034V	High Press Switch R410 565 - 400 PSI - All	
69401030	Defrost Sensor Probe - Yellow - All	
69401031	Water Temperature Sensor Probe - Black - All	
69501121	Fan Motor Run Capacitor3uf - 450VAC	
69501105	Comp Run Capacitor 45uf 440VAC	
69501017	Comp Run Capacitor 60uf 440VAC	
69501106	Comp Run Capacitor 55uf 440VAC	
69501119	Start Assist	
BODY PANELS		
69601117	Support Rod Small - All	
69201946	Base Panel - All	
69201943	Top Panel - Pewter	
69201944	Front Panel - Pewter	
69201945	Corner Panel - Pewter with Jbox cutout	

Electroheat ECO V Inverter TV 12kW

Product Code: 2781210

Part Number	Product Description	Diagram Number
69405523	Compressor Rotary Inverter Mitsubishi R410A	
69405524	Thermoacoustic Compressor Jacket	
SWITCH		
69405525	High Pressure Switch Off 3.6MPA (522 PSI)	
69405526	Low Pressure Switch Off 0.09MPA (13 PSI)	
69101311	Access Valve 5/16"	
69401035	Flow Switch 240VAC 21A	
CONTROLLER		
69405527	Inverter Controller System 3 HP	
69405528	Inverter Controller Cover	
694055430	Controller Display Inverter	
694055440	PCB Inverter Controller Board	
69405545	Communication Cable Inverter	
69405546	Temperature Sensor 10K L725mm Inverter	
69405547	Temperature Sensor x 3-L 1.2m 10K L0.7m (10K & 50K) Inverter	
69405548	Temperature Sensor 10K L2m Inverter	
69405549	Inductor 500uH/25A Inverter	
HEAT EXCHANGER		
69101235MI	Heat Exchanger 28' Small Align With Double Coil	
122243B	Half Union 40mm C/W O Ring Black	
W22125	Plug 1/8" BSP Heat Pump	
69201319	Thermostat Well 67.5MM	
69801504	O-ring Canister	
69405529	Nipple O-Ring	
69405530	Thermostat Well O-Ring	
69405531	Clamp Band Heat Pump	
69201306	1/8" Barb Nipple Heat Pump	
69201300	3/4" Liquid Tight Connector 16mm Dia. Seal	
69405532	Canister Outlet Small	
W22125	Plug 1/8" BSP Heat Pump	
FILTER DRIER & ACCUMULATOR		
69405533	Filter Drier 5 Tonne	
69405534	Accumulator	
CAPPILARIES & EXPANSION VALVE		
69405542	Electronic Expansion Valve	
FAN		
69601102	Fan Guard	
69801619	Rubber Grommet Fan Guard Mount	
69405535	Fan Motor DC280V 120W 8P IP44	
69405536	Fan Blade 19.5" 3 Blade Plastic	
69405537	Fan Cover Black	
4 WAY REVERSING VALVES		
69405538	4 Way Reversing Valve	
PANELS		
69405539	Front Panel Inverter Grey	
OTHERS		
69405540	Flat Bar Support SS316	
69801024N	Cap Large - Black Screws	
69801025	Cap Base For Big Screw Cap	
69405541	Nylon Screw Cover	

Electroheat ECO V Inverter TV 17, 21, 25kW

Product Codes: 2782510, 2781710, 2782110, 2782513, 2782113, 2781713

Part Number	Product Description	Diagram Number	List Price	Price Inc Gst
69405512	Compressor H420D5VZAAC2 PANASONIC R4 10A		4,272.73	4,700.00
69405550	Compressor 5VD330ZAA21 PANASONIC R4 10A		2,145.45	2,360.00
SWITCH				
69405509	Temperature sensor (inlet, return water temp, comp return evap coil temp)		14.55	16.00
69405510	Temperature sensor (compressor discharge temp)		21.82	24.00
69405511	Temperature sensor (ambient air temp)		14.55	16.00
69405507	water flow switch(2013)		100.00	110.00
69405517	High pressure switch		40.00	44.00
64905518	Low pressure switch			
CONTROLLER				
69405500	Variable frequency drive module (R410)		3,209.09	3,530.00
69405646	Variable frequency drive module (R32)		1,531.82	1,685.00
69405501	Circuit board		281.82	310.00
69405502	Wired controller (R410)		168.18	185.00
69405627	Wired controller (R32)		168.18	185.00
HEAT EXCHANGER				
69101236M	Heat Exchanger 56" Large Align with double coil		2,863.64	3,150.00
W22125	Plug 1/8" BSP Heat Pump		0.55	0.60
WATER CONNECTIONS				
69405522	Water Inlet / Outlet slip 1/2 / 40mm		35.45	39.00
FAN				
69405506	Fan motor YDK-200-6		386.36	425.00
69405521	FAN 0560 169		177.27	195.00
ELECTRICAL				
69405503	Reactor 35A 5.5KW		218.18	240.00
69405504	Transformer 24V		39.09	43.00
69405505	Fan Mtr Capacitor 10Qf/450V Cbb61C		30.00	33.00
69405508	Relay Jqx-105F- 4/220Ac		37.27	41.00
69405513	Electronic expansion valve		254.55	280.00
69405514	Electronic expansion valve coil		113.64	125.00
OTHERS				
69405519	Needle valve R410A		20.91	23.00
69405520	Gas pressure gauge R410A		100.00	110.00
69405515	Four Way Valve STF		363.64	400.00
69405516	Four Way Valve Coil		35.45	39.00

Electroheat Heat & Cool 6D Celcius 37kW

Product Code: 2783733HC

Part Number	Product Description	Diagram Number
69101071SA	Compressor Scroll 8Hp R410A 415-3-50 C-SCP270H38A	
ELECTRICAL		
69400001	Transformer 240/24-12V 401120F-33	
69400002	Relay 24V Control Digital	
69401006	Adj. Water Pressure Flow Switch 240V 21A	
69501009	Contactactor 40A/24V/3PH	
69501103	Run Capacitor 5MF Fan - 370VAC	
69501205	Ind. Light Green 250V 28 Wire	
69401017	Heat Pump Phase Monitor ICM401	
69101311	Access Vlv Schrader 5/16" Sae Flare Tube 1/4"ODX 2" LGX.030TH	
69401034V	High Pressure Switch R410A 3.90 - 2.76 MPA (400-565 PSI) Solder & Qc	
69401033V	Low Pressure Switch 55-75 PSI Solder ACB-2UA913W	
69405000MHC	Heat Pump Ctrl Assy Reversing W/Diagn Heat & Cool (M)	
69401031	Temperature Sensor Probe M Double Insulation	
69401030	Heatpump Defrost Sensor M Double Insulation	
HEAT EXCHANGER		
69101236ML	Heat Exchanger 56' Large Opposite Left With Double Coil	
69101236MR	Heat Exchanger 56' Large Opposite Right With Double Coil	
122243B	Half Union 40Mm C/W O Ring Black	
W22125	Plug 1/8" BSP Heat Pump	
69201319	Thermostat Well 67.5MM	
69201306	1/8" Barb Nipple Heat Pump	
W22125	Plug 1/8" BSP Heat Pump	
FILTER DRIER & ACCUMULATOR		
69101340	Filter Drier Bi-Flow 1/2" ODF 5 Tons BFK-084S	
69101501	Suction Line Accumulator 9"	
CAPPILARIES & EXPANSION VALVE		
69101378	Expansion Valve 6 Tons R410A BBIZE-6-GA-B30	
FAN		
69601104	Fan Guard	
69801619	Rubber Grommet For Fan Guard	
69301004	Fan Motor 1/4 HP 50 HZ 900 RPM	
69301107	Fan 4 Blade 22" 32D CCW DIS 1/2	
4 WAY REVERSING VALVES		
69101362	4 Way Reversing Valve 10 Tons R407C/R410A 10-1362 (STF-04U1G)	
OTHERS		
69201303	Clear Plastic Tubing 1/8IDX1/4OD 20-1303 W12412	

Electroheat Pro 100

Part Number	Product Description	Diagram Number
69101082SA	Compressor Scroll 11HP R410A	
ELECTRICAL		
69401033V	Low Pressure Switch R410A 55-75 PSI Solder	
69401034V	High Pressure Switch All R410	
69401030	Defrost Sensor Probe PNE PCB	
69401031	Temperature Sensor Probe PNE PCB	
69301012	Fan Motor ½ HP 1075 RPM 2 SP	
69400001	Transformer 240/24-12 V	
69401016	Time Delay 24 V - 180 SEC	
69401017	Phase Monitor	
69401022	Fan Relay DPDT Coil 24VAC-35A 275F	
69501009	Contactora 40 A - 24 V - 3 Poles	
69501013	Run Capacitor 10 MF - 370 Vac	
SWITCH		
69401035	Flow Switch ½" SPST W/36" 240 Vac - 21 A	
69401006V	Water Pressure Switch Adjustable - Flare ⅛ NPT	
CONTROLLER		
69401036	Heat Pump Ctrl Assy Reversing W/Diagn 40-1036	
HEAT EXCHANGER		
69101236M	56' Titanium Heat Exchanger	
FILTER DRYER		
69101376G	Filter Drier Emerson ⅝" (16MM) BI FLOW Solder type	
EXPANSION VALVE		
69101380	Expansion Valve 9 Tonne	
CANISTER		
69201359	Plastic Clamp Band (one piece)	
69801504	Rubber O Ring for Band Clamp	
69201300	Heat Exchanger Gland ¾ NPT	
69201319	Thermostat Well 67.5mm	
69201320	Thermostat Well O Ring	
W22125	Plug ⅛" BSP Heat Pump	
OTHERS		
69101362	Reversing Valve 10P SHF-35A-67	
69301122	Fan Blade 26" 4BL24D	
69601132	Fan Guard	

Electroheat ECO-V Inverter Side Vent 5,9,12,17kW

Product Codes: 2780510, 2780910, 2781211, 2781711

Part Number	Product Description	
69405561	Compressor	9RS102ZAA21(Panasonic) - 5kW
69405572	Compressor	SVB172FNPMC(Mitsubishi) - 9kW
69405575	Compressor	9KD240XCA21(Panasonic) - 12kW
69405582	Compressor	9VD330XAB21-CAZG(Panasonic) - 17kW
SWITCH		
69405554	Water flow switch	¾"connector, flap
69405555	Temperature sensor	L=1200, B=3470, XHP2 White(Water IN) 5K
69405556	Temperature sensor	L=1200, B=3970, XHP2 Black(Compressor OUT) 50K
69405557	Temperature sensor	L=1000, B=3470, XHP2 Yellow(Ambient) 5K
69405558	Temperature sensor	L=1200, B=3470, XHP2 Blue(Compressor IN) 5K
69405559	Temperature sensor	L=1200, B=3470, XHP2 Green(Water OUT) 5K
69405560	Temperature sensor	L=1500, B=3470, XHP2 Red(Evaporator temp) 5K
69405566	High pressure switch	H20PS,OFF 4.4MPa/ON 3.2MPa
69405567	Low pressure switch	H20PS,OFF 0.02MPa/ON 0.15MPa
CONTROLLER		
69405551	Wired controller	
69405552	Reactor	16A 5mH - 5-9kW
69405587	Reactor	18A/20A 5.2mH WRI30-1011 - 12kW
69405581	Reactor	35/40A 3mH - 17kW
69405579	Driver module	66833(9VD330XAB21) - 17kW
69405586	Circuit board	29022(9RS102ZAA21) - 5kW
69405571	Circuit board	29021(SVB172FNPMC) - 9kW
69405574	Circuit board	29020(9KD240XCA21) - 12kW
69405578	Circuit board	29779(9VD330XAB21) - 17kW
69405580	Transformer	DD48F0681 BYQ47
HEAT EXCHANGER		
69101235M	Heat Exchanger 28' Double Coil	
122243B	40mm Half Union C/W O Ring Black	
ELECTRICAL		
69405553	Fan motor	RD50HG,DC310V,8P,50W,Class E
69405570	Fan	Ø440*147
69405563	Electronic expansion valve coil	PQ-M10012-000198, DC12V, L=2000 - 5-17kW
69405562	Electronic expansion valve	DPF[T01]1.65C-05 - 5kW
69405573	Electronic expansion valve	DPF(T01)1.8C-08 - 9kW
69405576	Electronic expansion valve	DPF(T01)2.2C-01 - 12kW
69405513	Electronic expansion valve	DPF(T01)2.4C-01 - 17kW
69405564	Four-way valve	DSF-9-R410A - 5kW
69405577	Four-way valve	DSF-11-R410A - 12kW
69405584	Four-way valve	DSF-20-R410A - 17kW
69405565	Four-way valve coil	L=1200, 250 - 5-12kW
69405585	Four-way valve coil	L=2000,VHR-3N,,AC220V - 17kW
OTHER		
69405519	Needle valve	R410A
69405569	Gas pressure gauge	R32 (3-color scale)
BODY PANELS		
69201946	Base	
69201943	Top Panel Pewter	
69201944	Front Panel Pewter	
69201945	Corner Panel Pewter	

Electroheat ECO-V Inverter Side Vent 25kW

Product Code: 2782511

Part Number	Product Description	
69405512	Compressor	H420D5VZAAC2(Panasonic)
SWITCH		
69405595	water flow swtich	¾"connector,flap
69405596	Temperature sensor	L=2000,White (Coil 1) 20K,XH-2
69405597	Temperature sensor	L=1500,Blue (Water IN) 20K,XH-2
69405598	Temperature sensor	L=1200,Yellow (Compressor IN) 20K,XH-2
69405599	Temperature sensor	L=1500,Red (Water OUT) 20K,XH-2
69405600	Temperature sensor	L=750,Black (Ambient) 15K,XH-2
69405601	Temperature sensor	L=1200,Purple (Compressor OUT) 50K,XH-2
69405602	Temperature sensor	L=2000,Green(Coil 2) 5K,XH-2
69405517	High pressure switch	YK-4.2/3.6
69405518	Low pressure switch	YK-0.02/0.15
CONTROLLER		
69405592	Wired controller	XKQ-5K-LCD86 (R410 & R32)
69405593	Reactor	R2050HSB,20A/5.0mH
69405590	Variable frequency drive module	201-A17004A-0 6HP;27A (R410)
69405591	Circuit board	201-A190 19A (R410 & R32)
69405622	Variable frequency drive module	(R32)
Electrical		
69405594	Fan motor	YDK-85-6A-2
69405621	Fan	Z496-150
69405583	Electronic expansion valve	DPF(T01)2.4C-01
69405514	Electronic expansion valve coil	PQM10083(PQ-M10012),DC12V,L=2000
69405584	Four-way valve	DSF-20-R410A
69405516	Four-way valve coil	L=1500, AC220V
OTHER		
69405568	Needle valve	R410A
69405520	Gas pressure gauge	R410a (3-color scale)
69405522	Water inlet and outlet connection	PVC, G1-½"
122243B	Water inlet and outlet connection	40mm Half Union C/W O Ring Black - units made before July 21

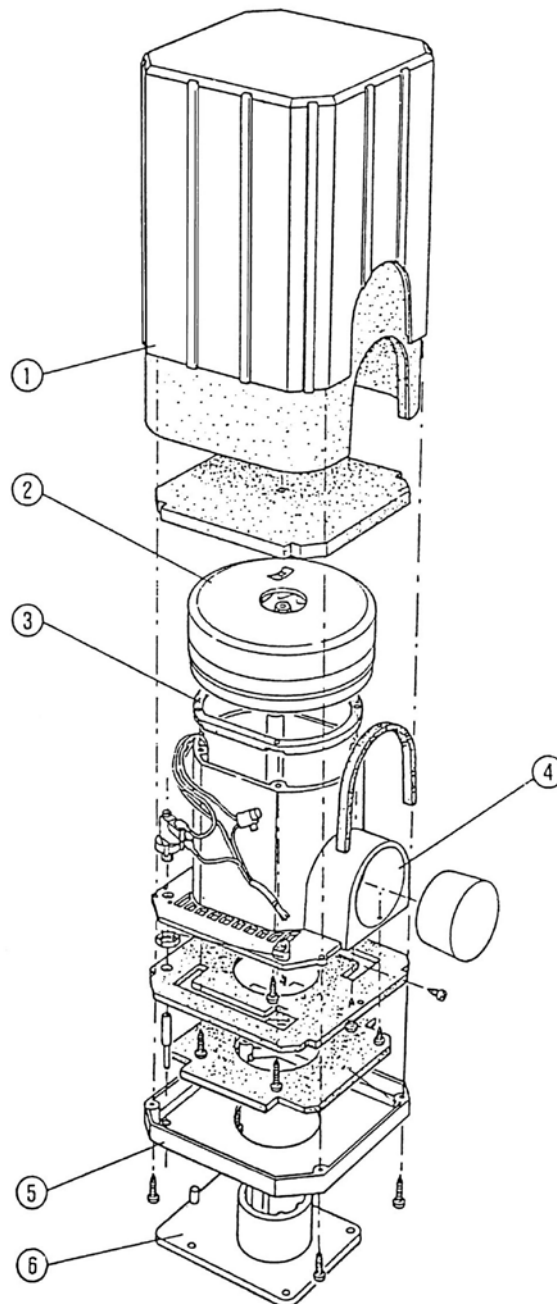
Electroheat ECO-V Inverter Top Vent 35,45kW

Product Codes: 2783510, 2784510, 2783513, 2784513, 2783113

Part Number	Product Description	
69405612	Compressor	H550D5VZAAC2(Panasonic) - 35kW R410A
69405620	Compressor	H650D5VZAAC2(Panasonic) - 45kW R410A
SWITCH		
69405608	water flow switch	¾"connector, flap
69405609	Temperature sensor	L=2000, CC.T63, White(Water IN, Water OUT, Compressor IN, Evaporator temp) 5K, XH-2Y
69405610	Temperature sensor	L=2000, CC.T62 , Purple (Compressor OUT) 50K, XH-2Y
69405611	Temperature sensor	L=2000, CC.T97, XHP2 White(Ambient) 5K, XH-2Y
69405517	High pressure switch	YK-4.2/3.6
69405518	Low pressure switch	YK-0.02/0.15
CONTROLLER		
69405605	Wired controller	KLT1368, LCD
69405606	Reactor	06-0101165, R20035(AL),I:20A,L:3.5mH - 35kW
69405603	Variable frequency drive module	KLT1372, 5-7HP - 35kW
69405604	Circuit board	KLT1370, 5-7HP - 35kW
69405619	Reactor	06-0101180, R35188,I:35A,L:1.88mH - 45kW
69405617	Variable frequency drive module	KLT13124, 8-10HP - 45kW
69405618	Circuit board	KLT1371, 8-10HP - 45kW
ELECTRICAL		
69405607	Fan motor	FKGW01BLQ, 200W
69405616	Fan	560*169
69405613	Electronic expansion valve	DPF[TS1]3.2C-01
69405563	Electronic expansion valve coil	PQ-M10012-000198), DC12V, L=2000
69405614	Four-way valve	STF-0712G
69405615	Four-way valve coil	L=1200, 250
OTHER		
69405568	Needle valve	
69405520	Gas pressure gauge	
63402401	Half Union 63mm	
63402402	UPVC water supply pipe 63mm	
63402403	UPVC 63-50mm pipe reducer	

Whisper Air / Airflo

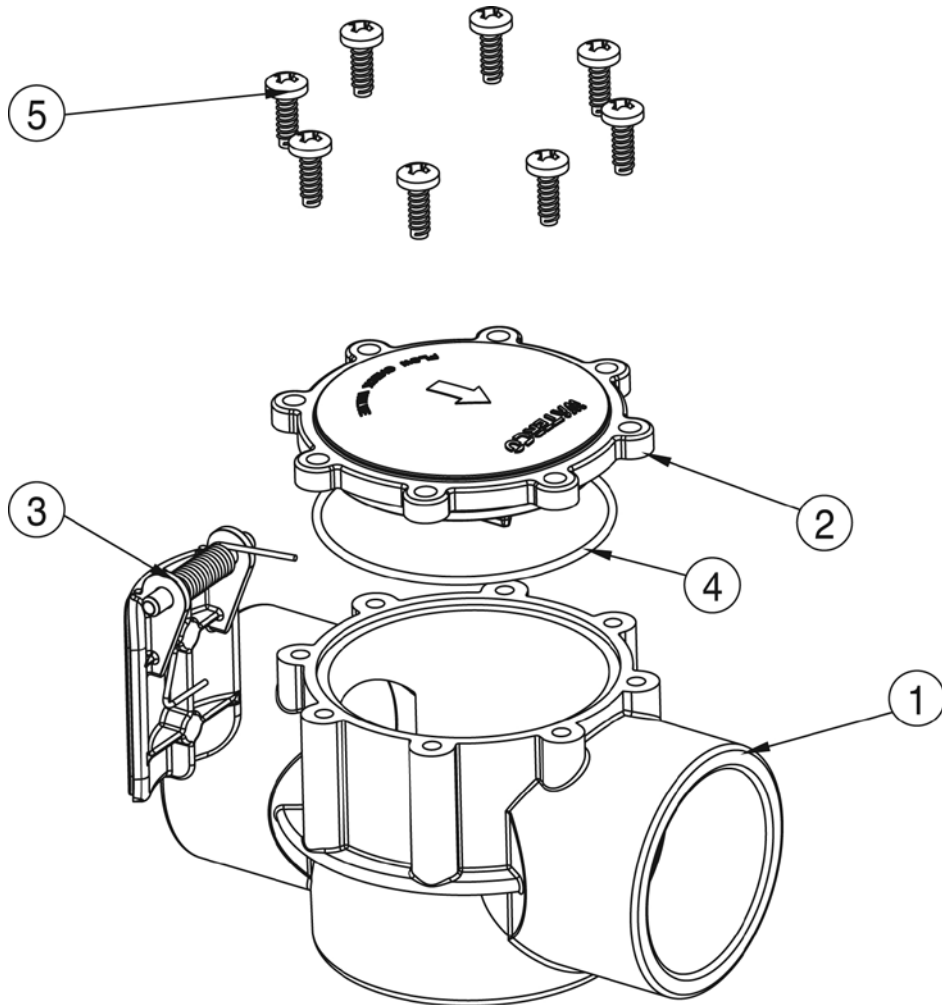
Part Number	Product Description	Diagram Number
S130501	Blower Outer Housing	1
S07267L	Blower Motor 900 Watt	2
82440706	Motor Blower Lamb 1200 Watt	2
S130551	Blower Motor Mounting Gasket	3
S130581	Internal Motor Mount	4
S130531	Blower Bottom Cowl	5
S130511	Blower Base (Stand)	6
S13785	Blower Motor Brushes (Each)	
S12811	Air Switch Latch	
82443905	EMI Filter	
82447106	Gasket Foam Seal Plate	
82447107	Seal Plate	
S13108A	Air Tube Assy Nylon 9m	
455102	Flush Button Plunger White	



Flow Check Valve

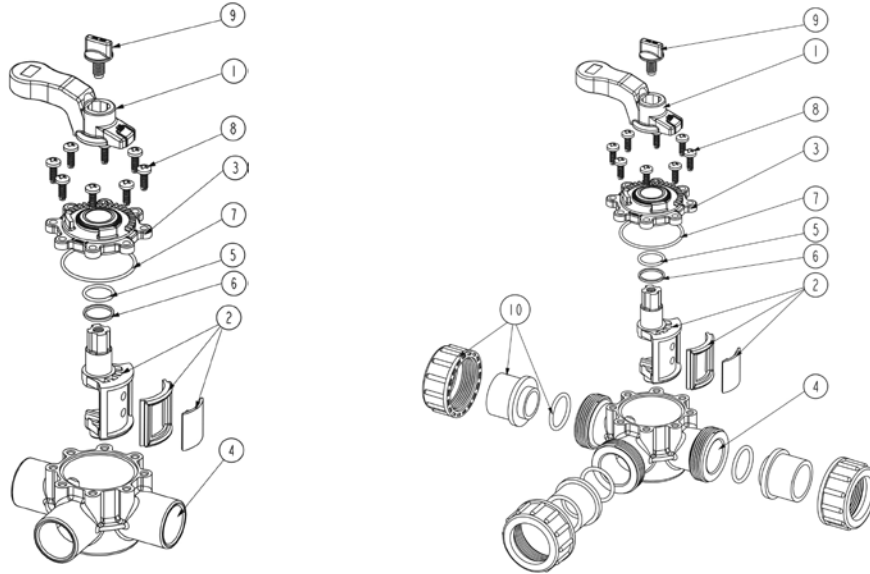
For product codes: 14641, 146419, 14651 & 146519

Part Number	Product Description	Diagram Number
14876	Lid & Flapper Assembly	2, 3 & 4
663393	Waterco 2/3 way valve lid O ring	4
663381	Screw TY - B 6.25 x 18.8mm (8 required)	5

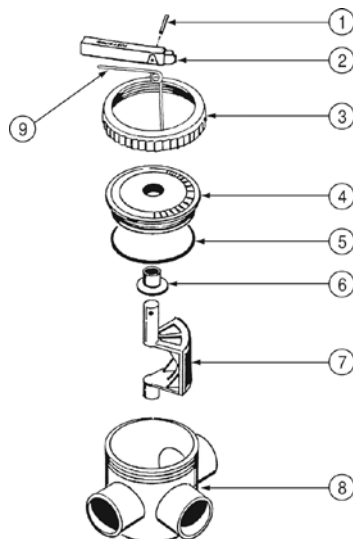


2 & 3 Way Valves

Part Number	Product Description	Diagram Number
FPI 2 & 3 WAY VALVES 25/32mm		
(For product codes: 148500, 148502, 148503 & 148505)		
14850	25/32mm 2/3 way valve handle	1
148480	Rotor assembly	2
14851	Lid	3
663366	Axle O'ring - BS118	5
66330	2 & 3 way valve O ring set	6
644791	Lid O'ring- BS141	7
663381	Screw TY-B 6.25x18.8mm (8 required)	8
66387	Handle pin lock	9
122252	Half union 25mm black	10
644790	O'ring half union 25mm - BS218	10



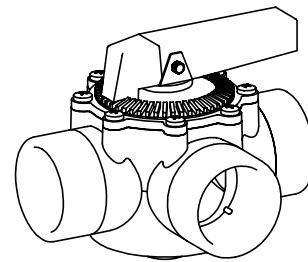
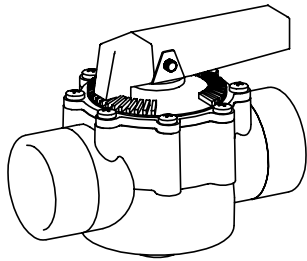
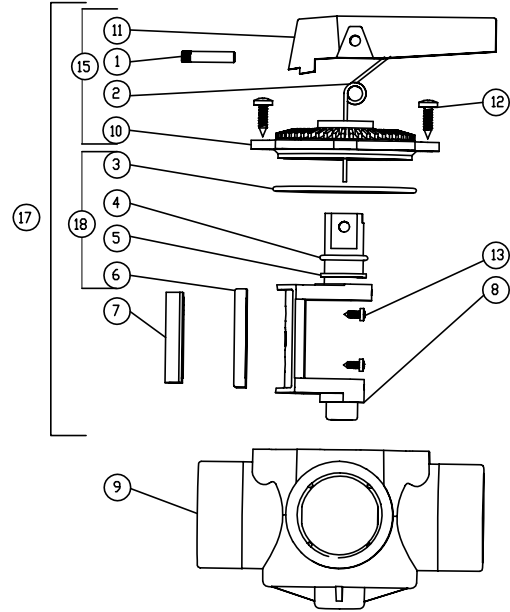
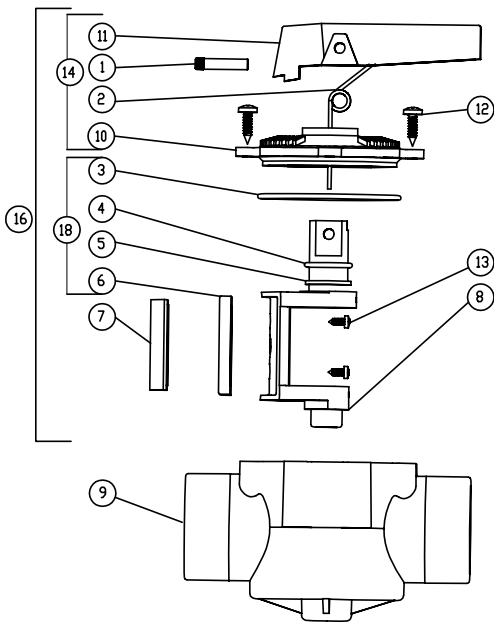
Part Number	Product Description	Diagram Number
FULFLO 2 & 3 WAY VALVES 40/50mm		
(For product codes 14842/14843)		
14849	2/3 way valve handle (1), pin (2) & spring (9)	1, 2 & 9
14848	2/3 way valve spool & diverter seal	7
148490	O'Ring Set of 3	



Fuflo 40mm Valve

2 & 3 Way Valves (continue)

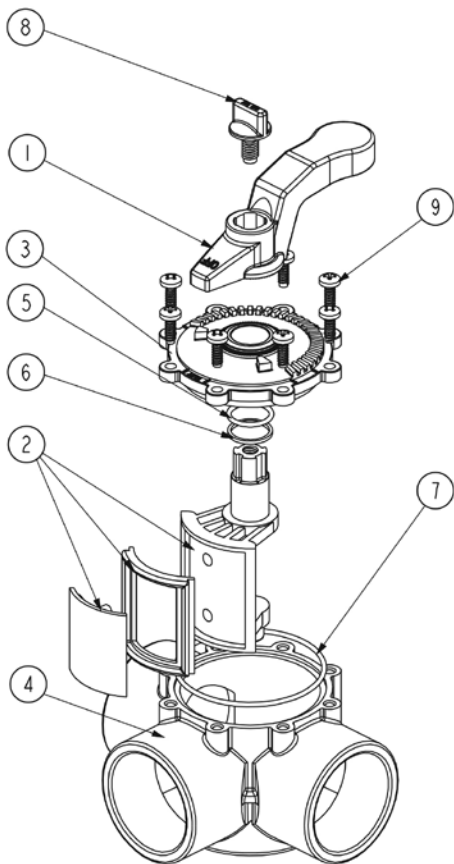
Part Number	Product Description	Diagram Number
FPI 2 & 3 WAY VALVES 40/50mm		
(For product codes 14852)		
663371	FPI Valve Change Plate with Hole	8
66327	FPI 3 Way 40/50mm Handle Set	15 consists of 1/2/10/11
66329	FPI 3 Way 40/50mm Valve Int Assy	16 consists of 1/2/3/4/5/6/7/8/10/11/12/13
66330	FPI 2/3 Way Valve O ring Set	18 consists of 3/4/5/6
(For product codes 14853)		
663371	FPI Valve Change Plate with Hole	8
66326	FPI 2 Way Valve Handle Set	15 consists of 1/2/10/11
66328	FPI 2 Way Valve Int Assembly	17 consists of 1/2/3/4/5/6/7/8/10/11/12/13
66330	FPI 2/3 Way Valve O ring Set	18 consists of 3/4/5/6



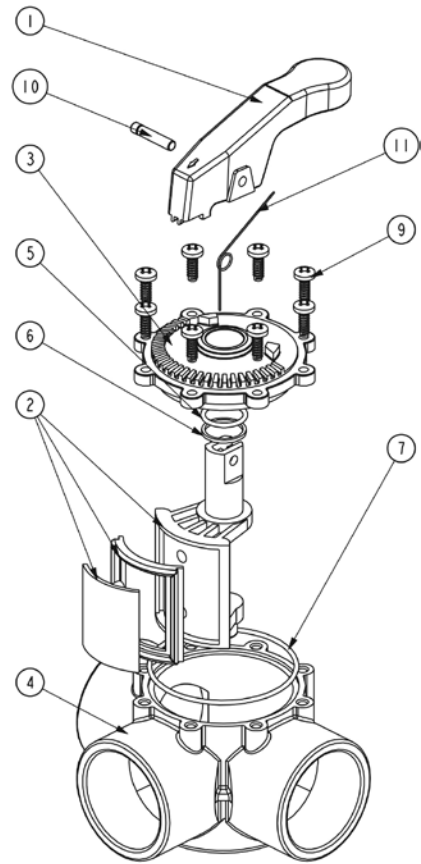
FPI 2 & 3 Way 40mm Valve

2 & 3 Way Valves (continue)

Part Number	Product Description	Diagram Number
FPI 2 & 3 WAY VALVES 50/65mm		
(For Product Codes: 14856, 14860, 148564 & 148584)		
66381	Non-Actuated handle 50mm 2/3 way valve	1
66382	Actuated handle 50/65mm 2/3 way valve	1
663383	Rotor assembly 50/65 2/3 way valve (non-actuated)	2
663384	Rotor assembly 50/65 2/3 way valve (actuated)	2
66385	Lid 360 degree 2/3 way valve	3
663366	Axle O'ring - BS118	5
663300	50/65mm 2/3 Way Valve O'ring	6
663393	Lid O'ring BS152	7
66387	Handle pin lock	8
663381	Screw TY-B 6.25x18.8mm	9
663362	Handle spring	11



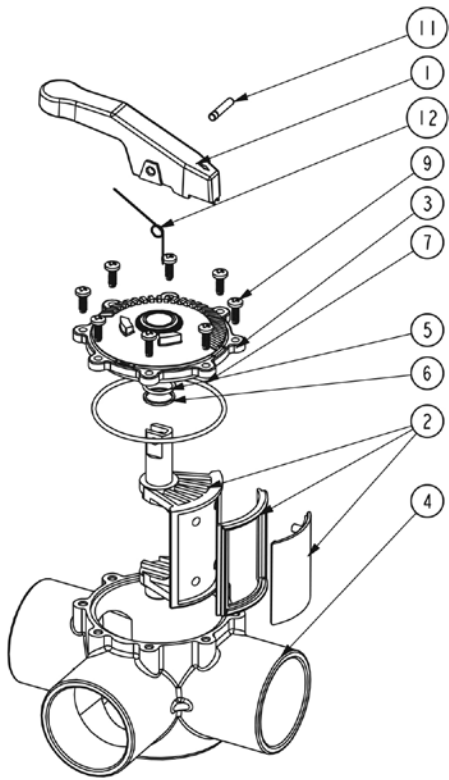
FPI Valve 50mm Actuated Slip Fit



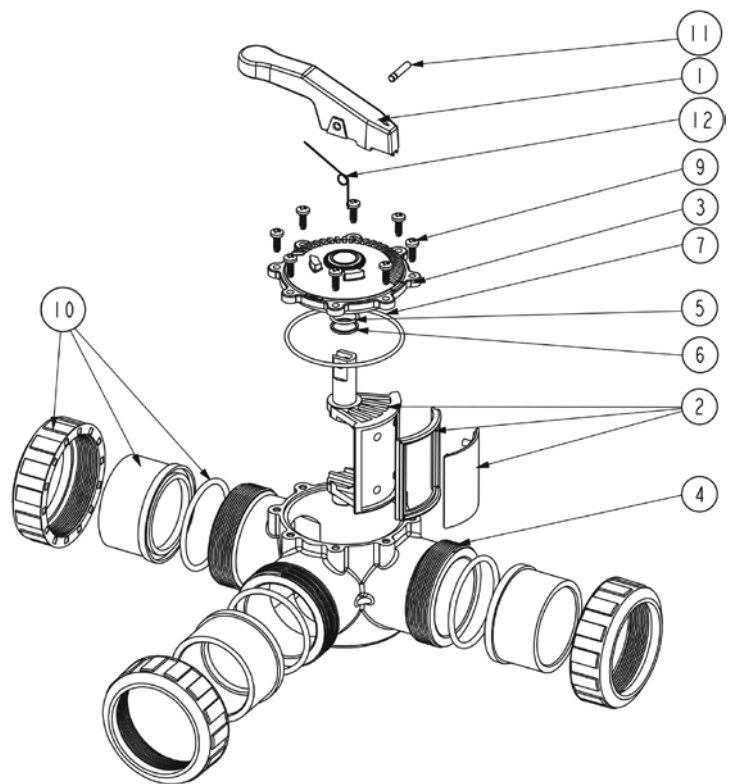
FPI Valve 50mm Slip Fit

2 & 3 Way Valves (continue)

Part Number	Product Description	Diagram Number
FPI 2 & 3 WAY VALVES 65/80mm		
(For Product Codes: 14882, 14883, 14892 & 14893)		
663390	Handle	1
663396	Rotor assembly	2
663394	Lid 65/80 x 180° 2/3 way valve	3
663366	Axle O'ring - BS118	5
66330	2 & 3 way valve O ring set	6
663395	Lid O'ring - BS243	7
663381	Screw TY-B 6.25x18.8mm (8 required)	9
644492	Half union 65/80mm c/w o'ring	10
63406554	O'ring half union 65mm - BS338	10
663362	Handle spring	12



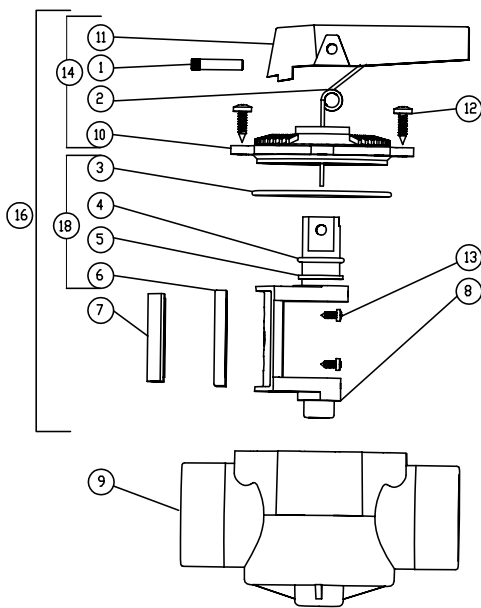
FPI Valve 65mm Slip Fit



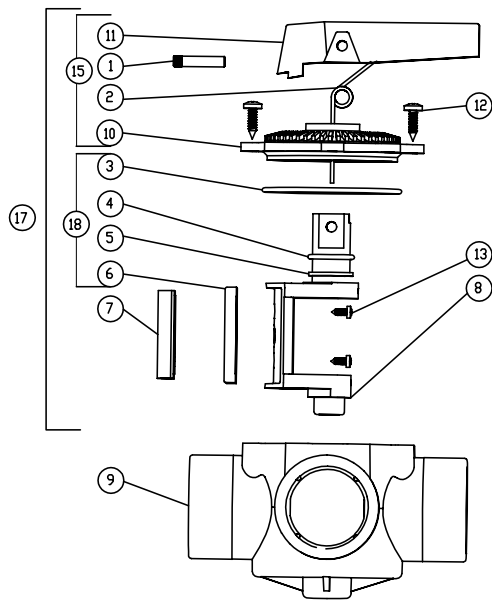
FPI Valve 65mm Threaded

2 & 3 Way Valves (continue)

Part Number	Product Description	Diagram Number
	FPI 2 & 3 WAY VALVE WHITE - PART A (Product Code: 14852)	
	FPI 2 & 3 WAY VALVE WHITE - PART B (Product Code: 14853)	
663361	Handle Pin 6x30	1
663362	Handle spring	2
663365	Lid O'Ring	3
663366	Axle O'ring - BS118	4
663367	Teflon Washer	5
	Retaining Gasket	6
663369	Retaining Plate	7
663371	Change Plate W/Hole	8
	2 Way Body	9
	3 Way Body	9
	2 Way Lid	10
	3 Way Lid	10
	Handle Printed	11
	Screw #12 3/4" Truss PH SS316	12
	Skmr/FPI Valve Retain Screw #6x3/8	13
66326	2 Way Valve Handle Set	14
66327	3 Way Valve Handle Set	15
66328	2 Way Valve Int Assembly	16
66329	3 Way Valve Int Assembly	17
66330	2/3 Way Valve O'Ring Set	18



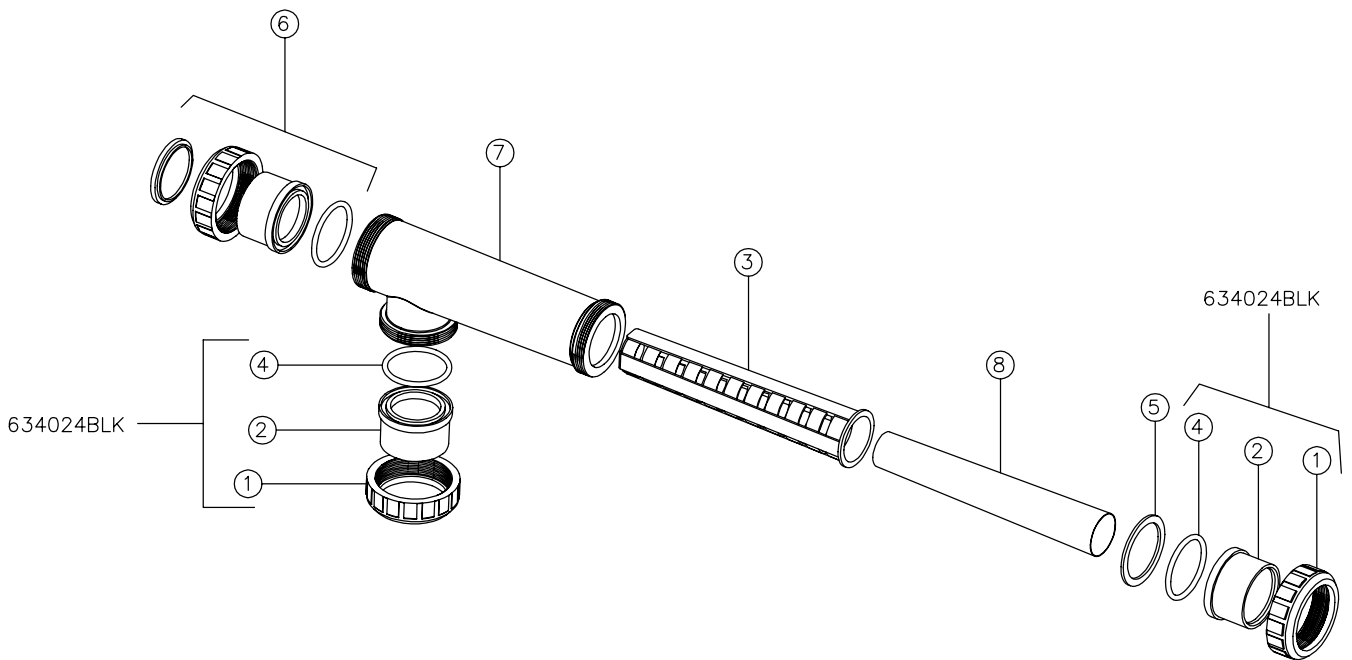
FPI Valve 65mm Slip Fit



FPI Valve 65mm Threaded

Solar Inline Strainer

Part Number	Product Description	Diagram Number
(For product codes: 634024BLK)		
634024B	Half Union 50mm W/O'Ring (2 required) - Black	1,2&4
293041	Main Drain Stem Machined	3
6340241	Oring 50mm B/U Nitrile	4
72511056	Washer Noeprene 75x61x3"	5
6449041	Waterchlo Top Housing no hole	6
644331	Waterchlor Cell Body	7
644881	Wire Mesh Cone 274x39x38	8



Nitro Wall Scrubber / Admiral Ultra Robotic Cleaner / Admiral ATV

Product Codes: 326325, 326327,326370

Part Number	Product Description	Diagram Number
50127115	Admiral Ultra Top Shell (NC7115) V1 & V2	1
50127106	Admiral Ultra Machine Lower Chassis (NC7106B) V1	14
501271222	Admiral Ultra Power Supply (NC7122RAU) (Admiral Ultra) 3 hour/RCD (No Arial)	12
501271223	Admiral Ultra Power Supply (NC7122QCRAU) (Admiral Ultra)	12
50127123	Admiral Ultra Floating Cord (NC7123) V1 2-Wire Blue	7
50127107	Admiral Drive Motor NC7107) V1-V2-Ultra-NAV-R120	5
50127113	Admiral Ultra Pump Motor (NC7113) V1-V2-Ultra-NAV-R120	17
50121004	Admiral Drive Brush (2 pc set) (NC1004) V1-V2-Ultra-NAV-R120	22
50127108	Admiral Drive Wheel Tube (NC7108)	8
50127112	Admiral Ultra Non Drive Wheel Tube (NC7112:02)	20
5012710402	Ultra MKII-Nav Brush Mount w/Bush & Wheel (L & R) (1 set /1 side)	35
50127116	Admiral Ultra Tracks (set of 2)(NC7116) V1	11
5012711602	Ultra MKII-Nav Drive Tracks X2 (R120)	11
50127117	Admiral Ultra Track Wheels (set of 6) (NC7117) V2	15
50127015	Admiral Ultra Cable Strain Relief (NC7105) V1-V2-Ultra-NAV-R120	4
50127118	Admiral Ultra Track Wheel Covers (L & R) (NC7118BK)	16
50127109	Admiral Ultra Handle (NC7109) V1-V2-Ultra-NAV-R120	3
50127110	Admiral Ultra Impellor Cover (NC7110B) V1-V2-Ultra-NAV-R120	2
50127103	Admiral Ultra Brush Center Bracket (NC7103) V1-V2-Ultra-NAV-R120	32
50127119	Admiral Ultra Upper and Lower Gasket Seal (NC7119)	34
50127111	Admiral Ultra Inner Quick Drain Flaps (NC7111) V1-V2-Ultra-NAV-R120	29
50127120	Admiral Ultra Filter Bag (NC7120) V1-V2-Ultra-NAV-R120	28
50127102	Admiral Ultra Bottom Lid (NC7102B) V1-V2-Ultra-NAV-R120	25
50127101	Admiral Ultra Bottom Lid Door (NC7101:02) with Debris Filter (ALL)	23
50127114	Admiral Ultra Top Return Flap (NC7114B) V1-V2-Ultra-NAV-R120	
501271010	Bottom Lid Door Spring (NC7127) V1-V2-Ultra-NAV-R120	23
50127126	Admiral Ultra Test Lead (NC1726)	N/S
50127130	Ultra MKII-Nav bottom lid debris filter (NC7130) All	23
501271140	Admiral Ultra Top Return Flap Spring (NC7140) All	36
50127116021	Admiral Ultra MKI/Ultra NAV Track Upgrade Kit x 2 (NC7116:02KIT)	9 & 10
50127134	Admiral Ultra MK1 Drive Wheels (NC7134)	15
5012713402	Admiral Ultra MKII Drive Wheels (NC7134:02)	15
50127135	Admiral Ultra Mki/MKII/Ultra-NAV Brush Mount Bearing (NC7135)	19
50127136	Admiral Ultra Mki/MKII/Ultra-NAV Brush Mount Bushing (NC7136)	19
50127137	Admiral Ultra Mki Brush Mount (NC7137) only	N/S
5012713702	Admiral Ultra Mki/ Ultra-NAV Brush Mount (NC7137:02)	N/S
50121035	Bottom Lid Locking Tab Red - Set of 2 (All Series) NC1035	
50127140	Twist Lock Tab Red - Set of 2 (Scrubber Series) NC7140	35 33
501271110	Inner Quick Drain Flap Spring NC71 (set of 2)	30
50127136	Ultra MKI-MKII-Nav Brush Mount Bushing	31
50127140	Twish Lock Tab Red - Set of 2 (Scrubber Series) NC7140	33
5012710402	Ultra MKII-Nav Brush Mount W/Bush & Wheel	35
50127114	Door Flap	36
50127132	Admiral Ultra Pump Fan	18
5012710102	Admiral Ultra Debris Door Kit	

ADMIRAL ULTRA-NAV ROBOTIC POOL CLEANER

(Product Code: 326327)

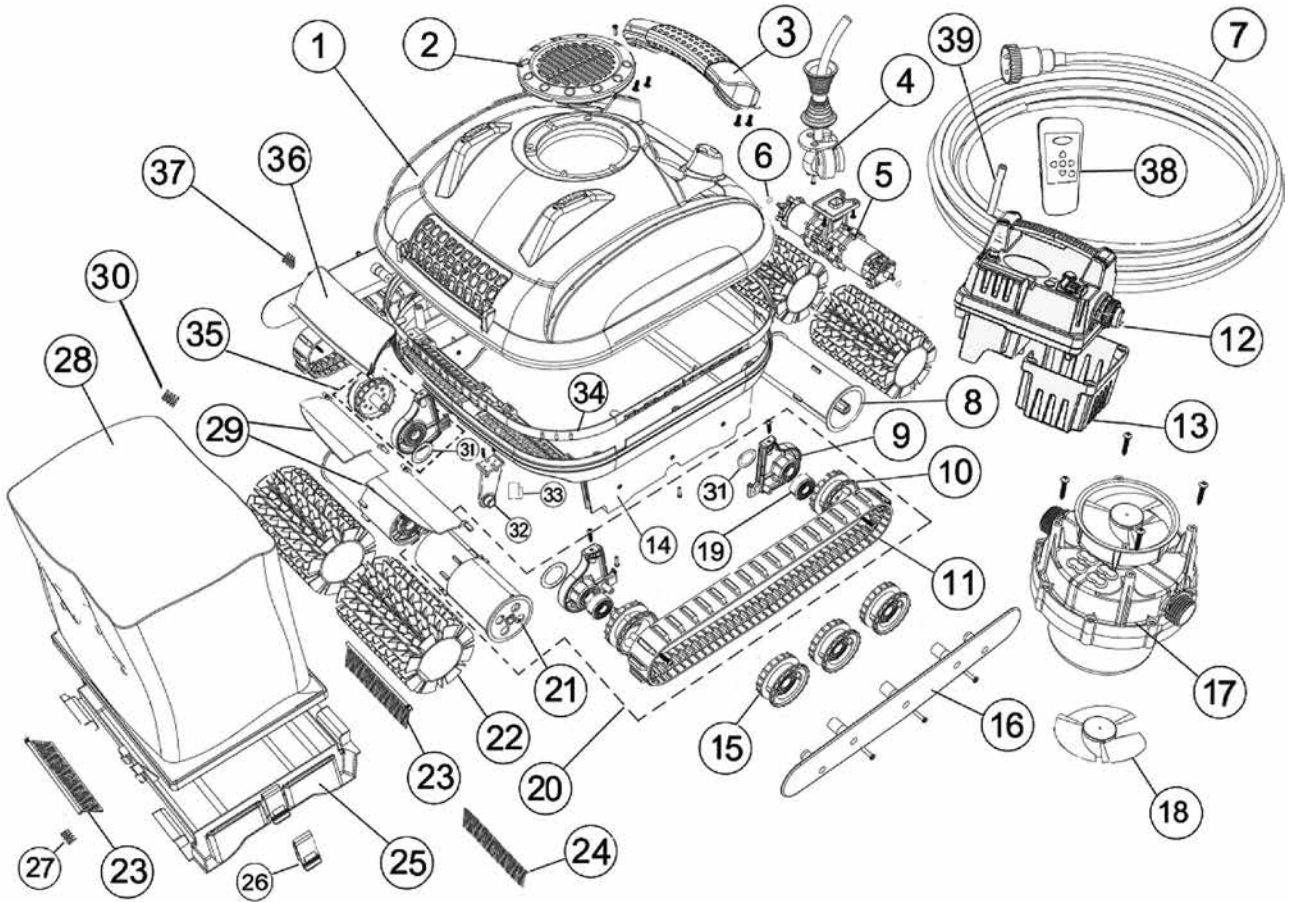
50127011	Admiral Ultra Nav Remote Control	38
501271231	Admiral Ultra-NAV Blue Power Cable (NC7122RC)	7
501271221	Admiral Ultra-NAV Power Suplly (NC7122RCAU) (No Arial)	12

ADMIRAL ATV/ADMIRAL ATV-NAV

(Product Code: 326373/326374)

50120010	Atv Conversion Kit (Nctr10kit)	N/S
50121042	Atv Gears For Drive System (Set X 8) NCTR1042	40
50123411	2.4M Power Cord - 3 Wire - Swivel To Cleaner NC3411	7A
50123414	15.2M Power Cord - 3 Wire - Swivel To Power Supply NC3414	7
50123510	Power Cord Swivel Atv & Atv-Nav NC3510	39
501210020	Atv Tyres (Set X 10) NCTR1002	15
501210170	Atv Track Wheels (Set X 6) NCTR1017	12
501210171	Atv Track Wheels Retaining Washers (Set X 6) NCTR1017:RTN	13
501210172	Atv Track Wheels Screws (Set X 6) NCTR1017:SCRW	14
501210181	Atv Side Plate-Fender Black Set X 2 NCTR1018B	10
501210182	Atv Side Plate Screws (Set X 4) NCTR1018:SCRW	16
501210341	Atv Drive Wheels (Set X 4) NCTR1034	11

**Nitro Wall Scrubber / Admiral Ultra Robotic Cleaner /
Admiral ATV (continue)**



Nitro / Admiral Robotic Cleaner

Product Code: 326320

Part Number	Product Description	Diagram Number
50121001	Admiral Chassis (NC1001:2)	25
50121002	Admiral Sensor Wheel Tyre (NC1002)	26
50121009	Admiral Pump Motor (NC1009:02)	12
50121013	Admiral Power Supply (1013RAU)	8
50121012	Admiral Floating Power Cord Blue V2 (NC1012:02)	7
50121006	Admiral Drive Motor Assembly V2 (NC1006B:02)	10
50121010	Admiral Drive Tube Mount (NC1010B)	2
50121005	Admiral Quick Drain Flap with Spring (NC1005)	22
50121017	Admiral Debris Filter Bag (NC1017)	21
50121003	Admiral Impeller Cover with Screws (NC1003)	3
50121008	Admiral Handle with Screws (NC1008)	4
50121004	Admiral Drive Brush Set of 2 (NC1004)	5
50121014	Admiral Foam Ring x 1 (NC1014)	6
50121007	Admiral Drive Wheel Tube Gear End (NC1007)	9
50121016	Admiral Bottom Lid (BC1016B)	17
50121018	Adsmiral Front Intake Set of 2 (NC1018)	19
50121034	Admiral Red 1/4 turn Retaining Clip Base x 2 (NC1034)	24
50121019	Admiral Rear Intake Set of 2 (NC1019)	14
50121015	Admiral Impeller (NC1015)	13
501210050	Admiral Quick Drain Flap Spring only (NC1038)	23
501210180	Admiral Front Intake Flap Spring only (NC1039)	20
501210190	Admiral Rear Intake Flap Spring only (NC1040)	15
50121035	Bottom Lid Lock Tab Red x 2 NC1035	16

ADMIRAL PLUS ROBOTIC CLEANER

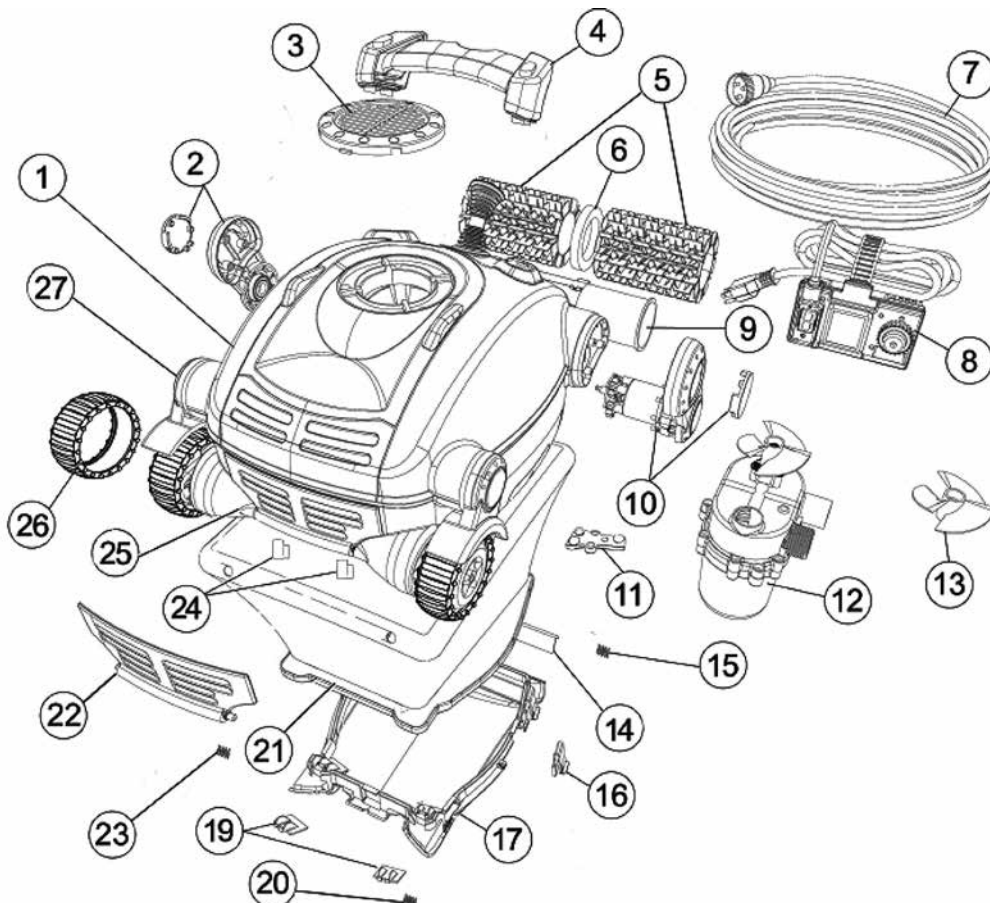
(Product Code: 326323)

50121024	Admiral Plus Pump Motor V2 (NC1024:02)	12
50121023	Admiral Plus Power Supply (NC1023)	8

R80 & SmartKleen ROBOTIC CLEANER

(Product Code: 326328 & 326371)

5012101240	R80 12M Power Power Cord with RCD (NC1240:02BL)	7
------------	---	---



Infloor Cleaning System

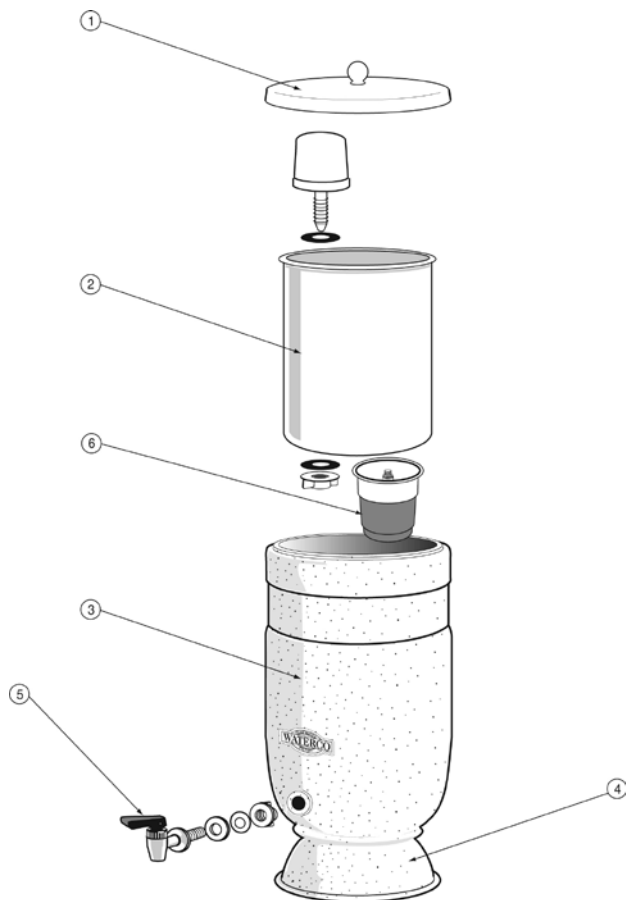
Blue Square Replacement Parts

Part Number	Product Description	Diagram Number
Q360 Valve Replacement Parts		
135037	Valve Body	
135008	High-Speed Cassette (standard)	
135040	Turbine	
135041	Lid Oring	
135042	Lid with Oring	
135043	Band Clamp with nut	
135044	Wing Nut	
Performance Jet Replacement		
135071	C99 Performance Jet - White	
135070	Jet O'ring	
135049	Pop up Jet Elipse - Blue	
135050	Pop-up Jet Elipse - Black	
135051	Pop-up Jet Elipse - Beige	
135052	Pop-up Jet Elipse - Grey	
135053	Pop-up Jet Elipse - White	
135006	Jet Removal Tool	
Performance Jet Replacement Nozzles		
135058	Nozzle SMALL Grey	
135059	Nozzle SMALL White	
135060	Nozzle MEDIUM Grey	
135061	Nozzle MEDIUM White	
135062	Nozzle LARGE Grey	
135063	Nozzle LARGE White	
135075	Nozzle Insert Xlarge Grey	
135076	Nozzle Insert Xlarge White	
Drain Replacement Parts		
135056	Eclipse Ctr Logo Cap GR	
135057	Eclipse Ctr Logo Cap WT	
135064	Hydrostat Valve	
135065	Eclipse Outer Plaster Shield	
135066	Drain Screw Kit	
135069	2" Threaded Pressure plug	

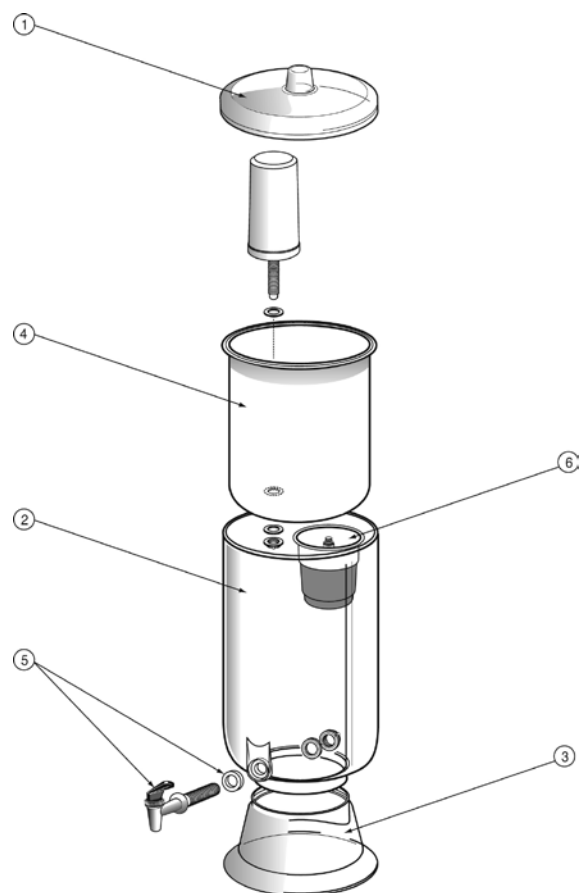
Gravity Purifiers

Part Number	Product Description	Diagram Number
STONEWARE 8lt & 12lt		
7741065	Lid 12 Litre	1
77410652	Lid 8 Litre (Post December 1999)	1
7743808	Reservoir (Bucket) 12 Litre	2
77438081	Reservoir (Bucket) 8 Litre	2
7741066	Body 12 Litre	3
77410661	Body 8 Litre	3
77410662	Body 8 Litre (Post December 1999)	3
7741062	Tap	5
PORCELAIN 10lt		
77410654	Lid Porcelain 10 Litre	
77438084	Bucket Porcelain 10 litre	
77410664	Body Porcelain 10 litre	
7741062	Tap	
CLEARWARE PURIFIER		
77410653	Lid Clearware 6 Litre	1
77438083	Bucket Clearware 6 Litre	4
7741062	Tap	5

Stoneware 8lt & 12lt

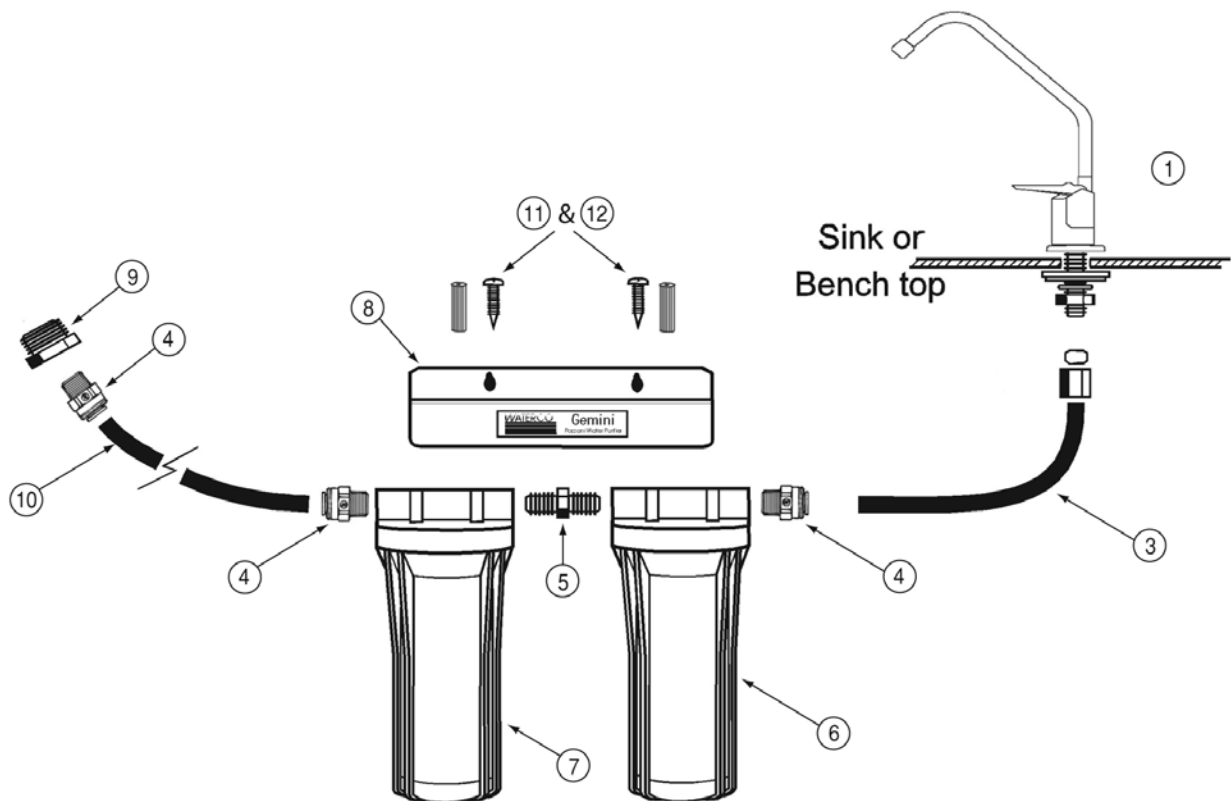


Clearware 6lt



Gemini Undersink Filter

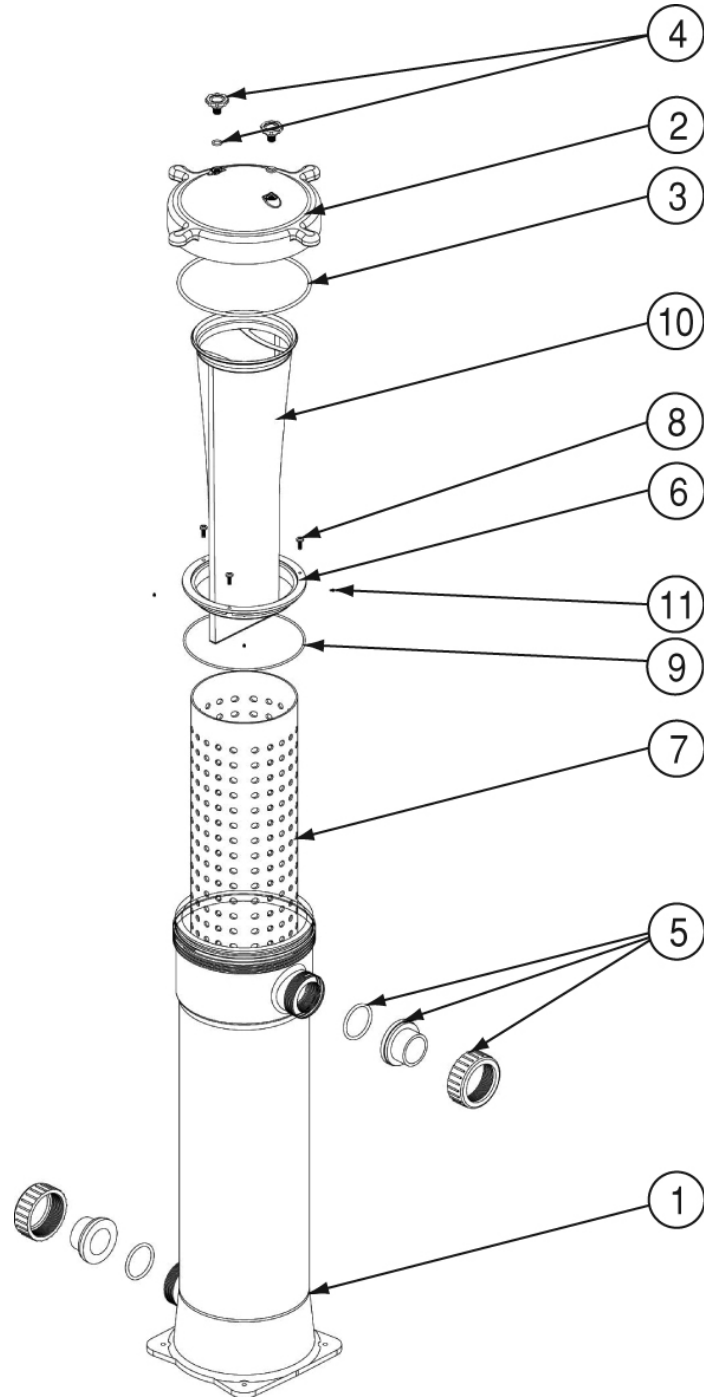
Part Number	Product Description	Diagram Number
72515277	Faucet Tap Complete	1
775000	Double Mounting Bracket	8
775001	Filter Housing 6mm White	6,7
6340113	Housing O'Ring	n/s
775002	Blue Tubing (Inlet/Outlet)	3,10
775004	Straight Adaptor 1/4" x 1/4" BSPT	4
775005	Nipple Adaptor 1/4" x 1/4" BSP	5
775007	Reducing Socket 1/2" x 1/4" BSP	9
620267	O'Ring Gemini Housing (Post 2004) - BS233	13
620268	O'Ring Filterking/Gemini (Pre 2004) - BS238	13
3649605	Gemini Spanner	



Commandomatic Trimline Filters

Part Number	Product Description	Diagram Number
COMMANDOMATIC BAG FILTER (TBF)		
3651931	1 micron filter bag - C50	10
36519310	1 micron filter bag - C75	10
3651924	5 micron filter bag - C50	10
36519240	5 micron filter bag - C75	10
3651925	25 micron filter bag - C50	10
36519250	25 micron filter bag - C75	10
3651926	50 micron filter bag - C50	10
36519260	50 micron filter bag - C75	10
36519265	800 micron filter bag - C50	10
36519266	800 micron filter bag - C75	10
C50 - POST 01/2005 C75 - POST 01/2006		
6204417	Trimline Bag Housing Lid	2
620262	O'Ring G220	3
620261	O'Ring G220 - Viton	3
620221	Air Release Valve - Black or Grey	4
6201931	Air Release O'ring - Black or Grey - Viton	4
122257BLK	Half Union Trimline 50/40mm Black (2 required)	5
6340241	O'Ring BS332 Half Union 50mm	5
620342	O'Ring BS332 Half Union 50mm - Viton	5
3651947	Cage Ring	6
3651946	Support Cage Filter Bag C50	7
36519460	Trimline Bag Filter C75 Support Cage	7
620263	O'Ring BS266	9
63814277	Screw M3x6 S/S 316 (4 required)	11
621637	Pressure gauge Bottom Mount 800kPa	n/s
36519450	Filter Bag Cage Assembly C50	6/7/8/9/11
C50 - PRE 01/2005 C75 PRE 01/2006		
620221	Air release valve	
62026	Lid O'ring mk3	
62024	Lock ring	
62025	Lid c/w O'ring MK3	
621632	Pressure gauge Bottom Mount (oil filled) 400kPa	
3651945	Filter Bag Cage Assembly C50	
COMMANDOMATIC CARBON FILTER (TCF)		
2150253	C25 TCF tank only	
2150503	C50 TCF tank only	
2150753	C75 TCF tank only	
620221	Air release valve	
62026	Lid O'ring M3	
62024	Lock ring	
62025	Lid c/w O'ring	
621621	Pressure gauge 100mm Bottom Mount, 600kPa	

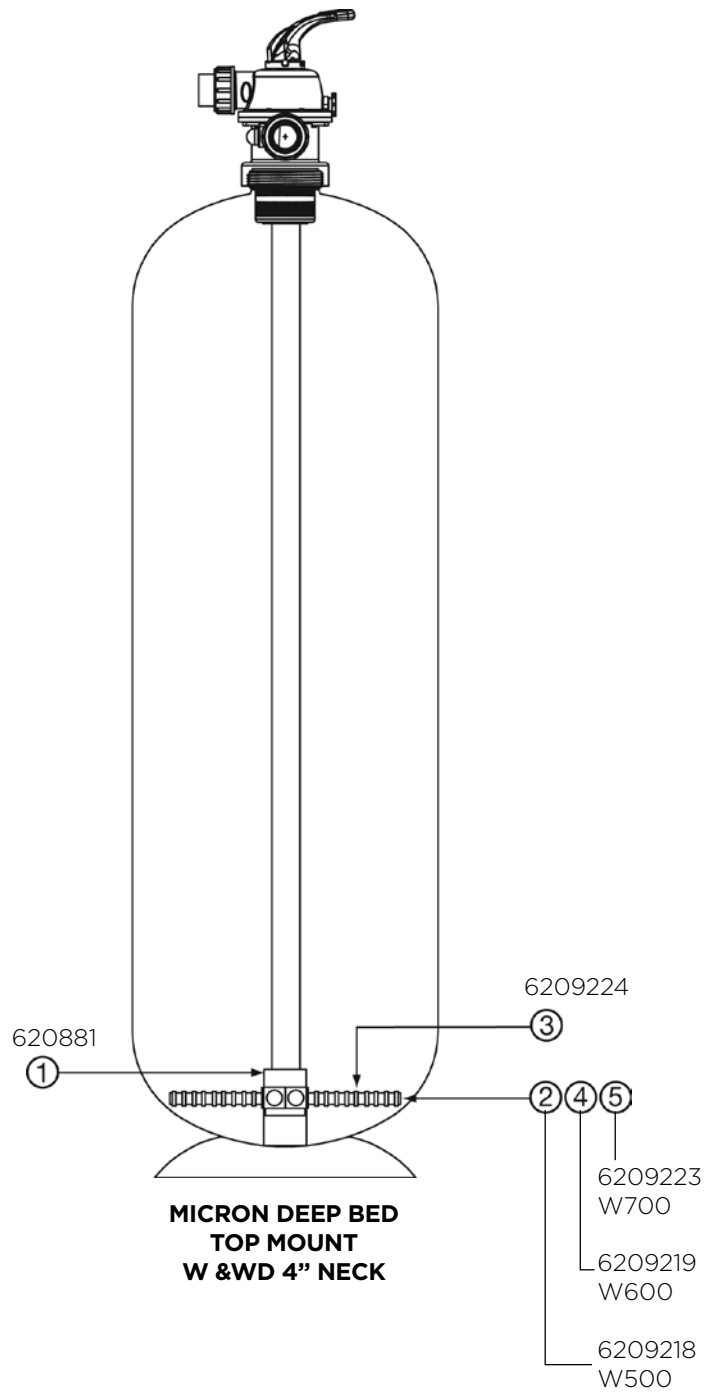
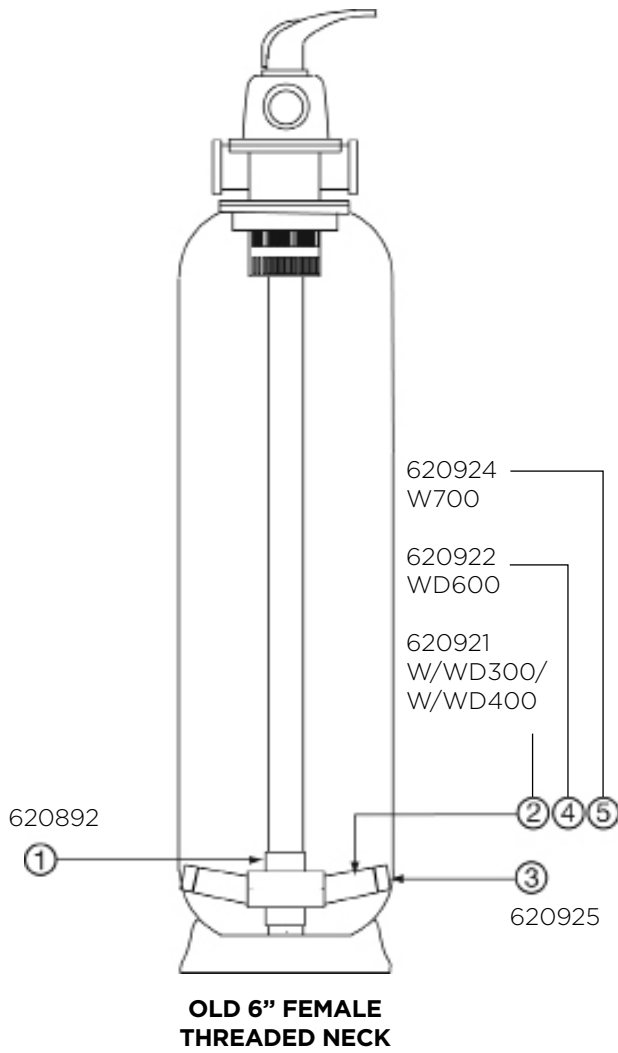
Commandomatic Trimline Filters (Continue)



W & WD Series Deep Bed Filter

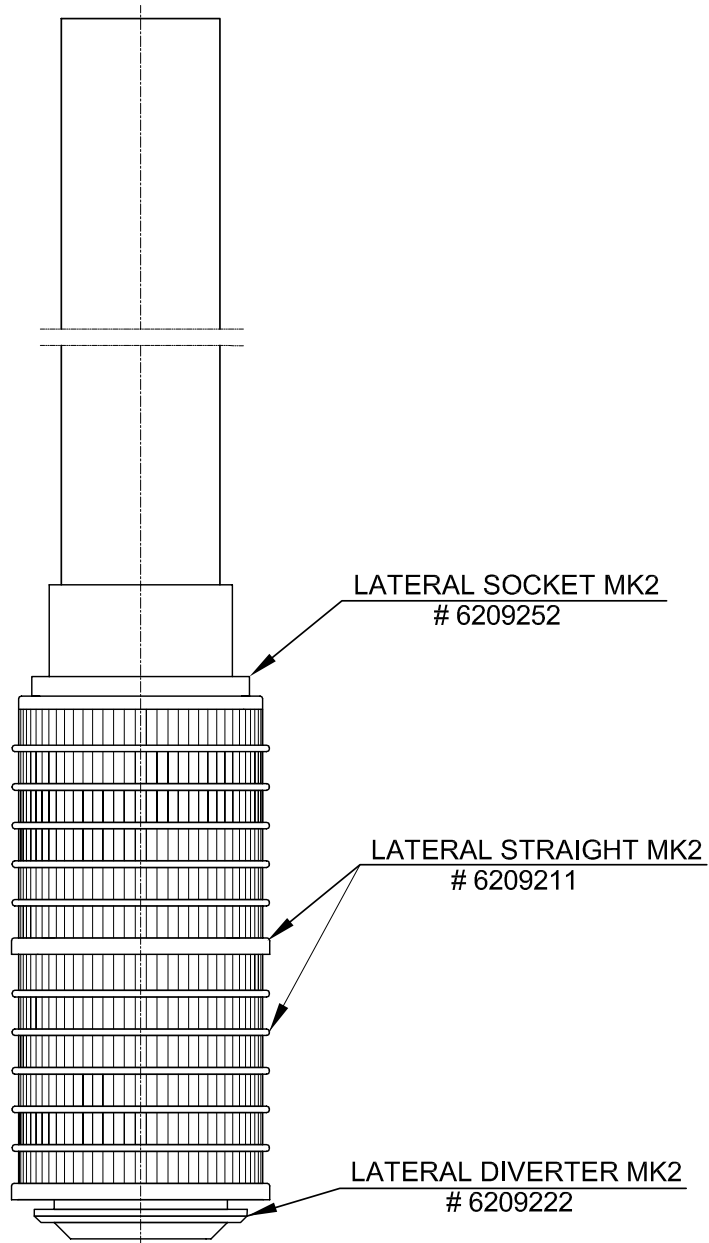
Part Number	Product Description
2247250	W250 tank & under drain assembly
22473571	W350 tank & under drain assembly
22474071	W400 tank & under drain assembly
22475071	W500 tank & under drain assembly
22476071	W600 tank & under drain assembly
22477071	W700 tank & under drain assembly
22483071	WD300 tank & under drain assembly
22484071	WD400 tank & under drain assembly
22485071	WD500 tank & under drain assembly
22486071	WD600 Tank & under drain assembly
22487071	WD700 tank & under drain assembly
22472502	W250MK2 tank & under drain assembly (suit auto valve)
22473011	W300 Premium tank & under drain assembly (no drain)
22473012	W300MK2 tank & under drain assembly (suit auto valve)
6209302	Drain Plug 15mm (Assembly)
621621	Pressure Gauge 100mm Bottom Mount, 600kPa
855172	Adaptor A15 Clack Valve (Auto Valve)
OLD 6" FEMALE THREADED NECK	
W300/WD300, W350/WD350, W400/WD400	
620892	1 x 40mm Manifold
620921	75mm Laterals (8 required)
620925	Lateral End Cap Nut (8 required)
W500/WD500	
620892	1 x 40mm Manifold
620922	110mm Laterals (8 required)
620925	Lateral End Cap Nut (8 required)
W600/WD600	
620892	1 x 40mm Manifold
620921	75mm Laterals (8 required)
620922	110mm Laterals (8 required)
620925	Lateral End Cap Nut (8 required)
W700/WD700	
620892	1 x 40mm Manifold
620924	200mm Laterals (8 required)
620925	Lateral End Cap Nut (8 required)
W500/WD500	
620881	1 x Manifold Hexagonal
6209218	40mm Capped Laterals (6 required)
6209224	120mm Open Laterals (6 required) (W02991)
W600/WD600	
620881	1 x Manifold Hexagonal
6209219	60mm Capped Laterals (6 required)
6209224	120mm Open Laterals (6 required) (W02991)
W700/WD700	
620881	1 x Manifold Hexagonal
6209223	120mm Capped Laterals (6 required) (W02985)
6209224	120mm Open Laterals (6 required) (W02991)

W & WD Series Deep Bed Filter (continue)



Underdrain Assembly

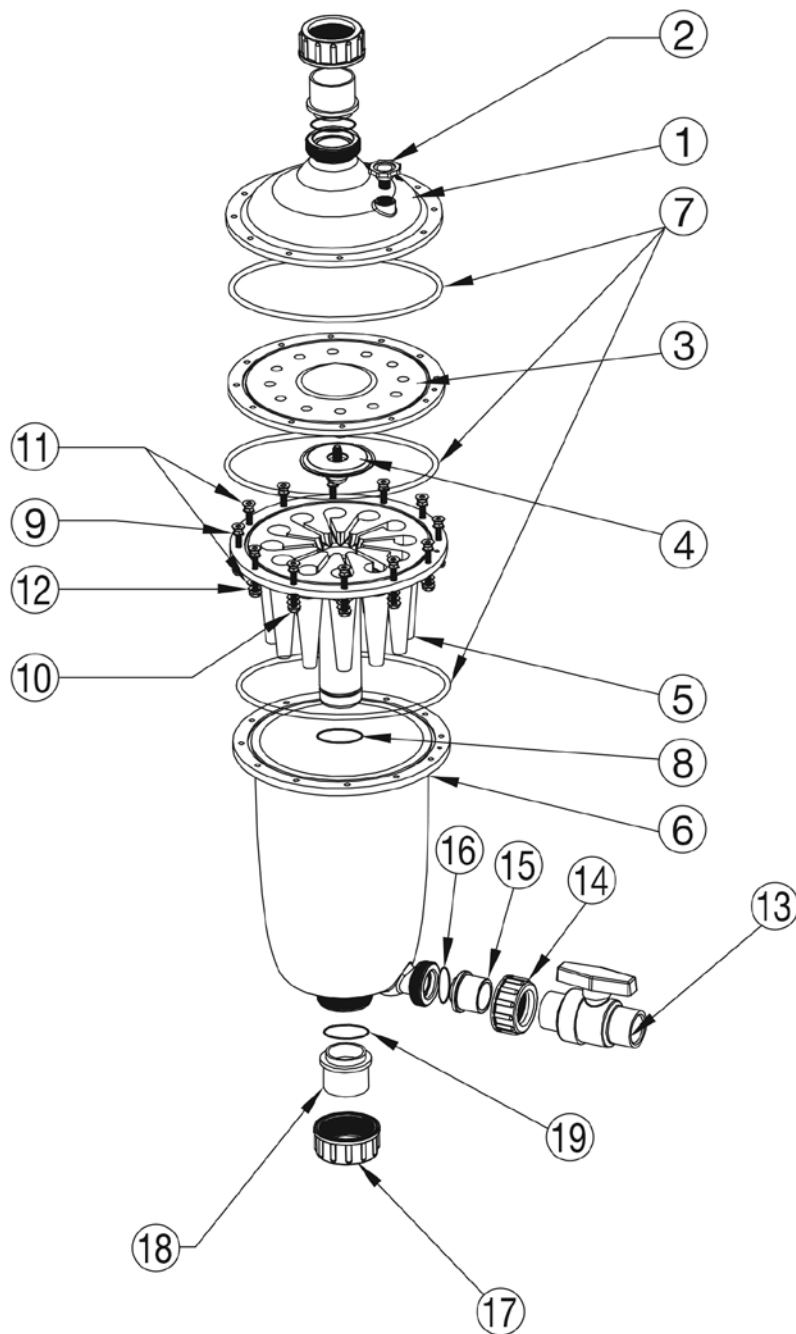
Part Number	Product Description
6209263	WD350 Under Drain Assembly MK2
6209262	WD300 Under Drain Assembly MK2
6209261	W350 Under Drain Assembly MK2
6209260	W250/W300 MK2 Under Drain Assembly MK2



Multicyclone 40 (Multicyclone 12 Centrifugal Filter)

Product code: 200371

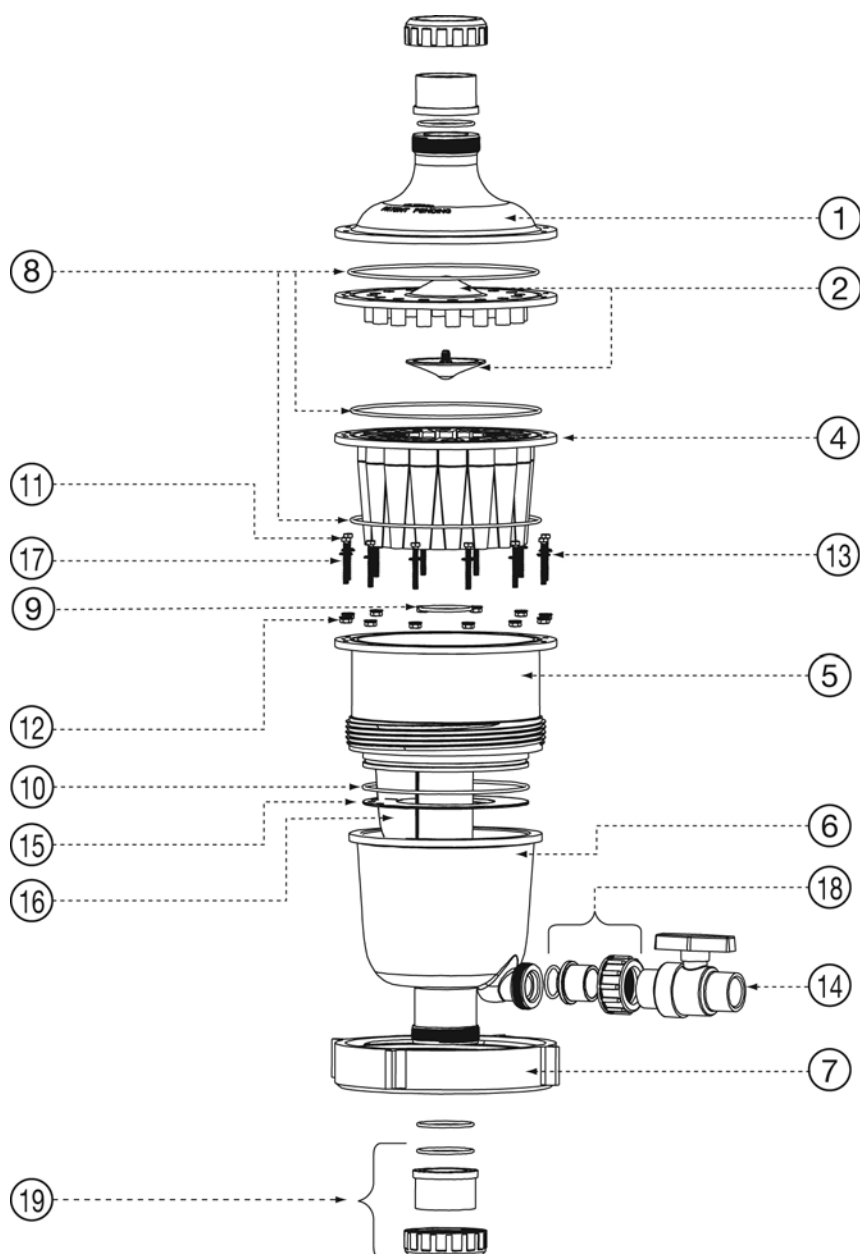
Part Number	Product Description	Diagram Number
61313	Collector 40mm	1
620221	Air Relief Valve	2
61318	M/Cyclone Manifold Plate 12 Cyclone 40mm	3
	M/Cyclone Flow Director 40mm	4
61317	Cyclone Body 40mm 12 Cyclone	5
61312	Sediment Bowl 40mm	6
61308	O'Ring BS268 (3 required)	7
S0614511	O'Ring BS224	8
6340021	M6X45 Bolt-Nut-Washer Kit (12ea)	9/10/11/12
140252	Compact Ball Valve 25mm Black	13
1222252	Half Union 25mm Black	14/15/16
122243B	Half Union 40mm Black	17/18
6201931	Viton Air Release O'Ring	n/s
1125156	Black Pipe CL15 25mm X 300mm	
1213252	Elbow 90 Deg 25mm - Black	



Multicyclone 50 (Multicyclone 16 Centrifugal Filter)

Product code: 200370

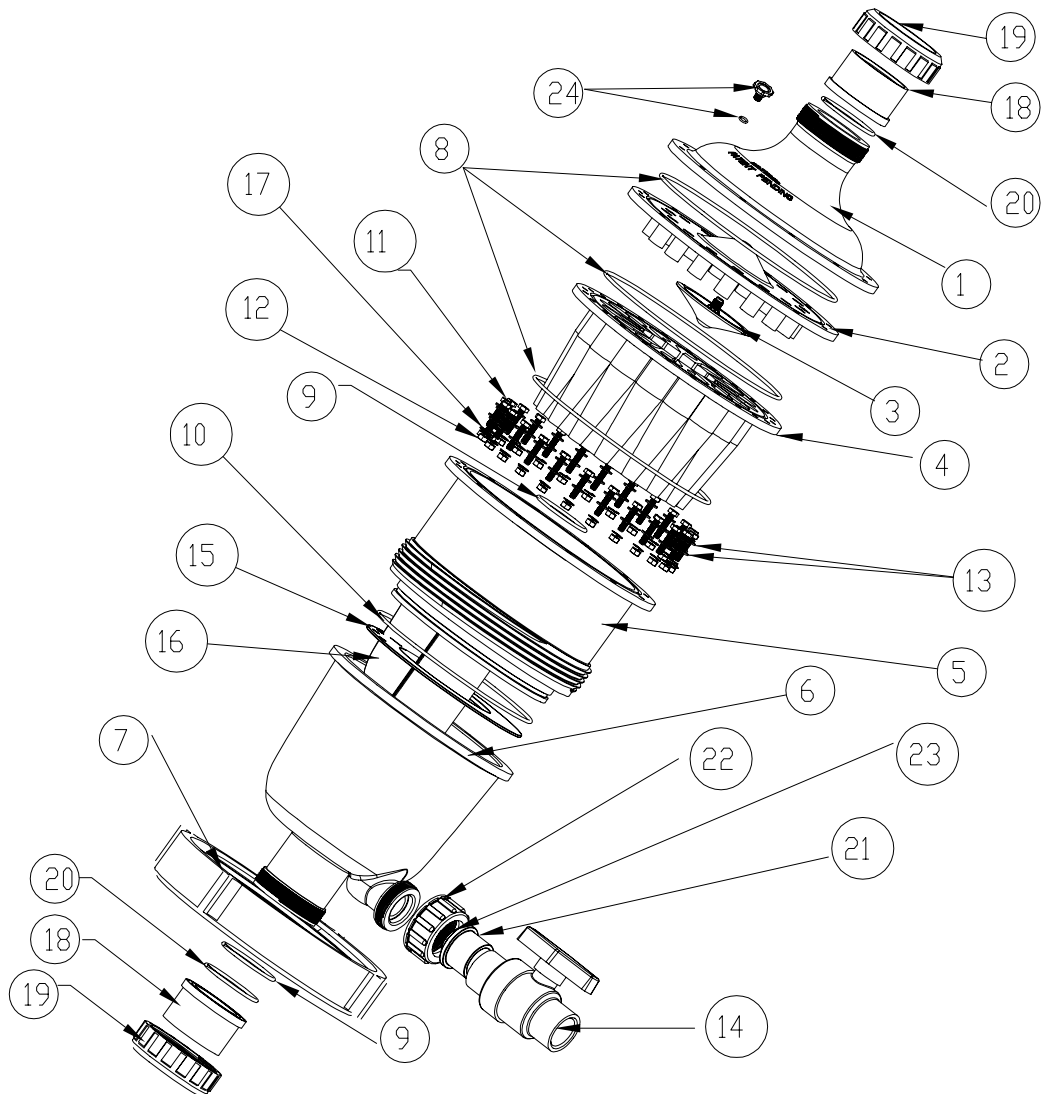
Part Number	Product Description	Diagram Number
613010	M/Cyclone Collector Blank	1
61304	Manifold Plate Assy	2
61303	M/Cyclone Separator	4
61300	Multicyclone Body	5
61302	M/Cyclone Sediment Bowl	6
62024	Locking Ring 52mm high	7
61308	O'Ring BS268	8
701226	O'Ring BS228	9
61307	O'Ring BS263	10
140252	Compact Ball Valve 25mm Black	14
61306	M/Cyclone Baffle Ring	15
61305	M/Cyclone Partition	16
1222252	Half Union 25mm Black	18
6340245	Half Union 50mm Black	19
6340021	M6X45 bolt-Nut-Washers Kit (12ea)	11/12/13/17
1125156	Black Pipe CL15 25mm X 300mm	
1213252	Elbow 90 Deg 25mm - Black	



Multicyclone 16 Pro Centrifugal Filter 7 Bar Black

Product code: 200385

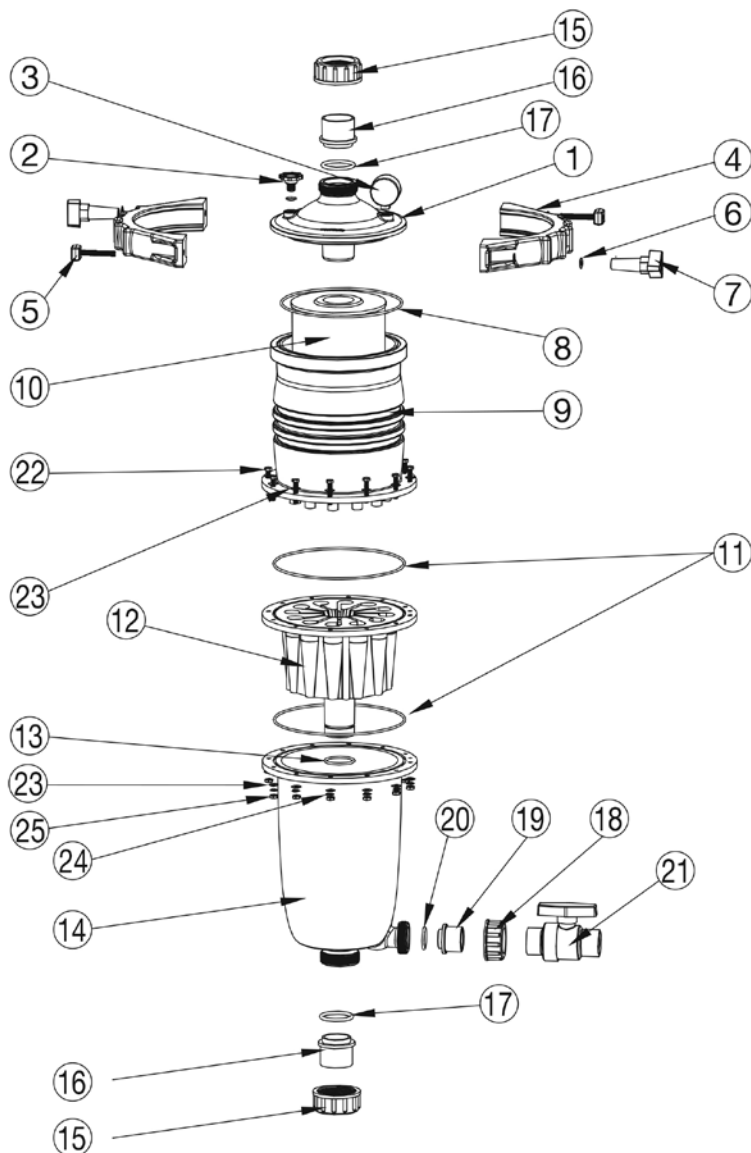
Part Number	Product Description	Diagram Number
613011	Collector BK24 Hole	1
W22399	M/Plate BLK 24 Hole	2
W22400	Flow Director BLK	3
613031	Separator BLK 24 Hole	4
613001	Body BLK 24 Hole	5
61302	Sediment Bowl	6
62024BLK	TCF Lock Ring	7
61308	O'Ring BS268	8
W02469	O'Ring BS228	9
61307	O'Ring BS263	10
W12984	Bolt SS Hex M6	11
W22040	Nut SS M6	12
W12782	Washer Flat SS M6	13
140252	Compact Ball Valve 25mm	14
61306	Baffle Ring	15
61305	Partition	16
W12783	Spring Washer M6	17
W02081BLK	B/U P/End Slip/Slip 50mm	18
W02647BLK	T/L Lock Nut50New BLK	19
W02280	O'Ring 50mm B/U	20
122253	B/U P/End Slip/Slip 25mm	21
122256	B/U Lock Nut 25mm	22
644790	O'Ring BS218	23
620221	Air Relief Valve New BLK	24



Multicyclone 12 Plus C40 (Multicyclone 12 Plus C40 Cartridge)

Product code: 200376

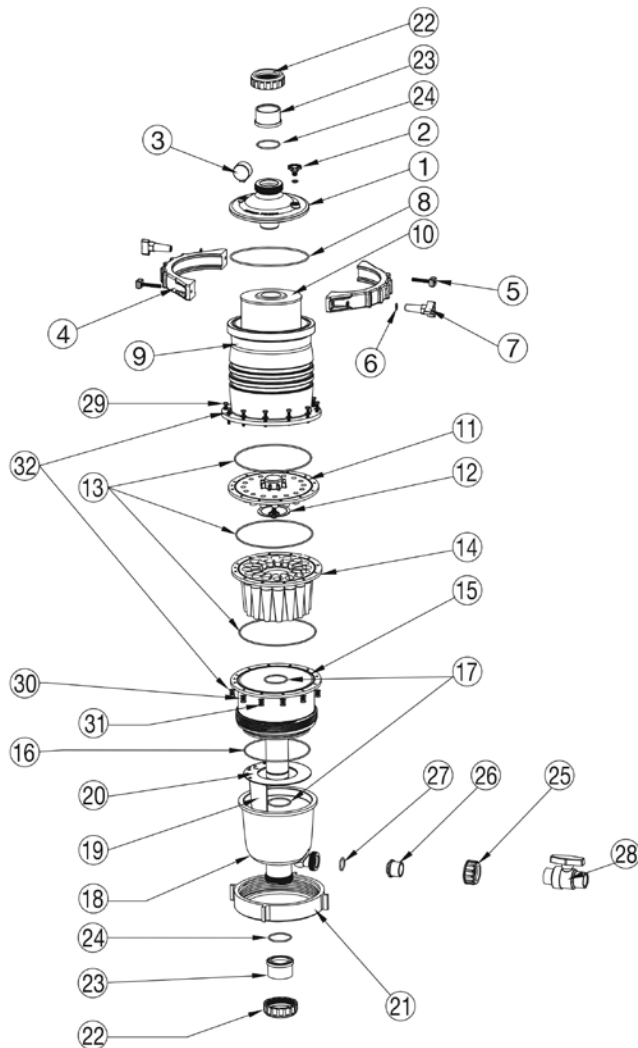
Part Number	Product Description	Diagram Number
61314	Collector 40mm (Clamp Type)	1
620221	Air Relief Valve	2
621625	Pressure Gauge Dry Bottom Mount 400kPa	3
6220202	Clamp Band 8" (2 required)	4
622203	Sh Cap Screw M8X60 Overmoulded (2 required)	5
	Washer Flat M8 Brass	6
622195	Knob with M8 Brass Insert (2 required)	7
61324	O'Ring 4 X 200	8
61310	Cartridge Housing	9
62451	Cartidge Element 40sq.ft	10
61308	O'Ring BS268 (2 required)	11
61317	Multi Cyclone Body 40mm (12 Cyclones)	12
S0614511	O'Ring BS224	13
61312	M/Cyclone Sediment Bowl 40mm	14
122243B	Half Union 40mm Black (2 required)	15/16/17
1222252	Half Union 25mm Black	18/19/20
140252	Compact Ball Valve 25 Black	21
6201931	Viton Air Release O'ring	n/s
6340021	M6X45 bolt-Nut-Washers Kit (12ea)	22/23/24
1125156	Black Pipe CL15 25mm X 300mm	
1213252	Elbow 90 Deg 25mm - Black	
6220209	Clamp Band Kit	4/5/6/7



Multicyclone 16 Plus C40 (Multicyclone 16 Plus C40 Cartridge)

Product code: 200377

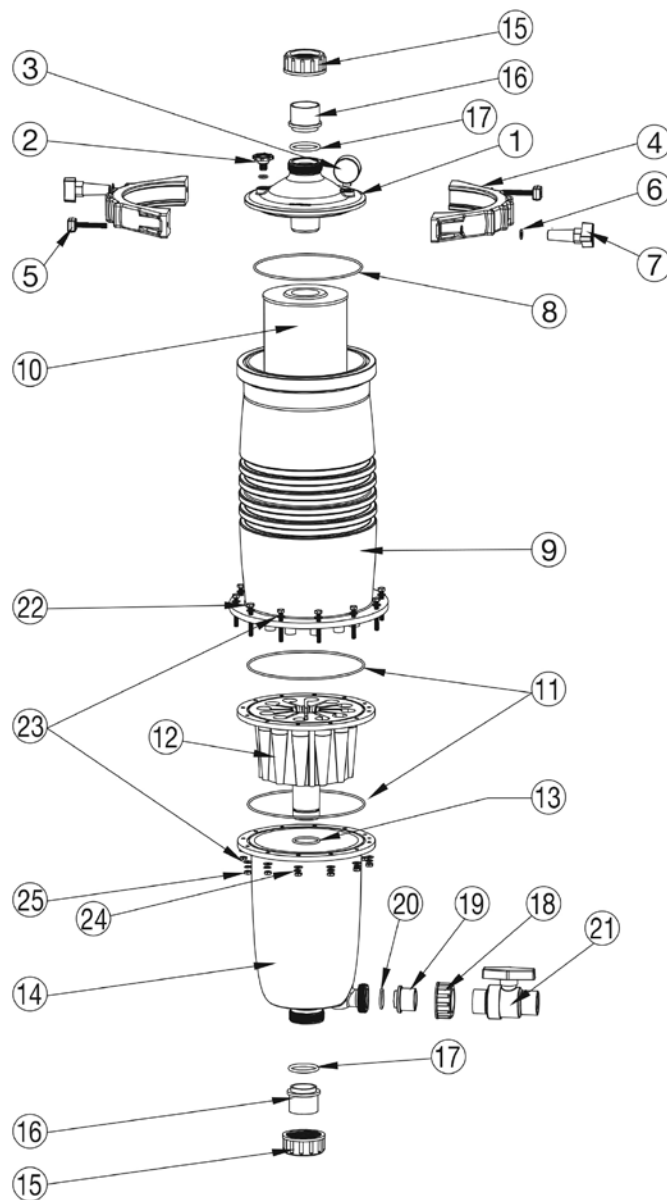
Part Number	Product Description	Diagram Number
61315	M/Cyclone Collector 50mm Clamp Type	1
620221	Air Relief Valve	2
621625	Pressure Gauge Dry Bottom Mount 400kPa	3
6220202	Clamp Band 8" (2 required)	4
622203	Sh Cap Screw M8X60 Overmoulded (2 required)	5
	Washer Flat M8 Brass	6
622195	Knob with M8 Brass Insert (2 required)	7
61324	O'Ring 4 X 200	8
62451	Cartidge Element 40sq.ft	10
61319	Manifold Plate Assembly 16C 50mm	11
	M/Cyclone Flow Director	12
61308	O'Ring BS268 (3 required)	13
61303	M/Cyclone Separator	14
61300	M/Cyclone Body	15
61307	O'Ring BS263	16
701226	O'Ring Main Drain AS228 (2 required)	17
61302	M/Cyclone Sediment Bowl	18
61305	M/Cyclone Partition	19
61306	Baffle Ring	20
62024	Locking Ring 52mm high	21
6340245	Half Union 50mm Black	22/23/24
1222252	Half Union 25mm Black	25/26
644790	O'Ring BS218	27
140252	Compact Ball Valve 25 Black	28
6340021	M6X45 bolt-Nut-Washers Kit (12ea)	29/30/31/32
1125156	Black Pipe CL15 25mm X 300mm	
1213252	Elbow 90 Deg 25mm - Black	
6220209	Clamp Band Kit	4/5/6/7



Multicyclone 12 Ultra C75 (Multicyclone 12 Ultra C75 Cartridge)

Product code: 200378

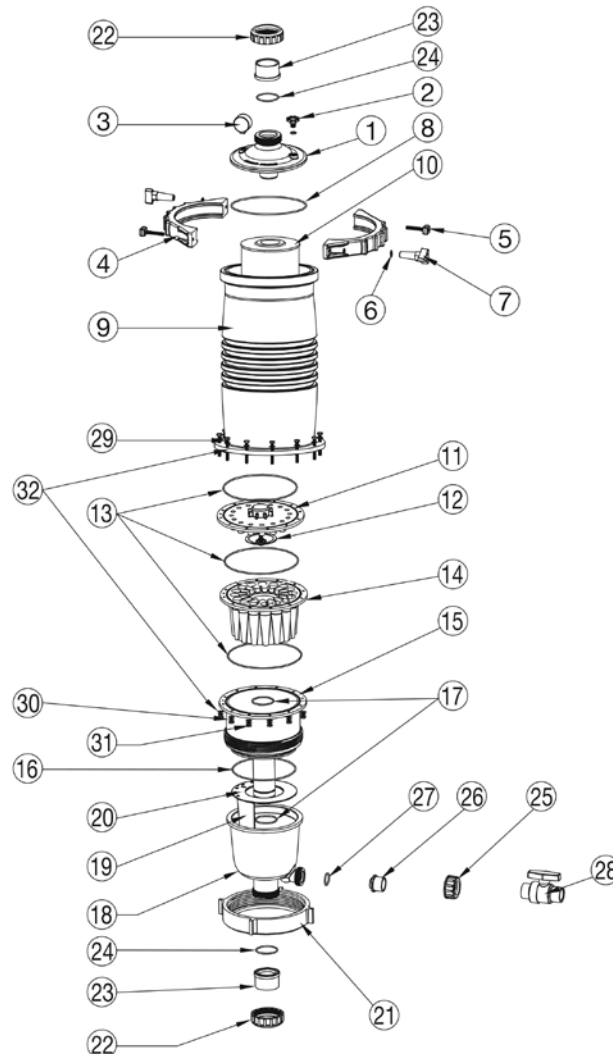
Part Number	Product Description	Diagram Number
61314	Collector 40mm (Clamp Type)	1
620221	Air Relief Valve	2
621625	Pressure Gauge Dry Bottom Mount 400kPa	3
6220202	Clamp Band 8" (2 required)	4
622203	Sh Cap Screw M8X60 Overmoulded (2 required)	5
	Washer Flat M8 Brass	6
622195	Knob with M8 Brass Insert (2 required)	7
61324	O'Ring 4 X 200mm	8
61327	Cartridge Housing 75Sq.ft 40mm 12 Cyclone	9
62453	Cartidge Element 75sq ft	10
61308	O'Ring BS268 (2 required)	11
61317	Multi Cyclone Body 40mm (12 Cyclones)	12
S0614511	O'Ring BS224	13
61312	M/Cyclone Sediment Bowl 40mm	14
122243B	Half Union 40mm Black (2 required)	15/16/17
1222252	Half Union 25mm Black	18/19/20
140252	Compact Ball Valve 25 Black	21
6340021	M6X45 bolt-Nut-Washers Kit (12ea)	22/23/24/25
1125156	Black Pipe CL15 25mm X 300mm	
1213252	Elbow 90 Deg 25mm - Black	
6220209	Clamp Band Kit	4/5/6/7



Multicyclone 16 Ultra C75 (Multicyclone 16 Ultra C75 Cartridge)

Product code: 200379

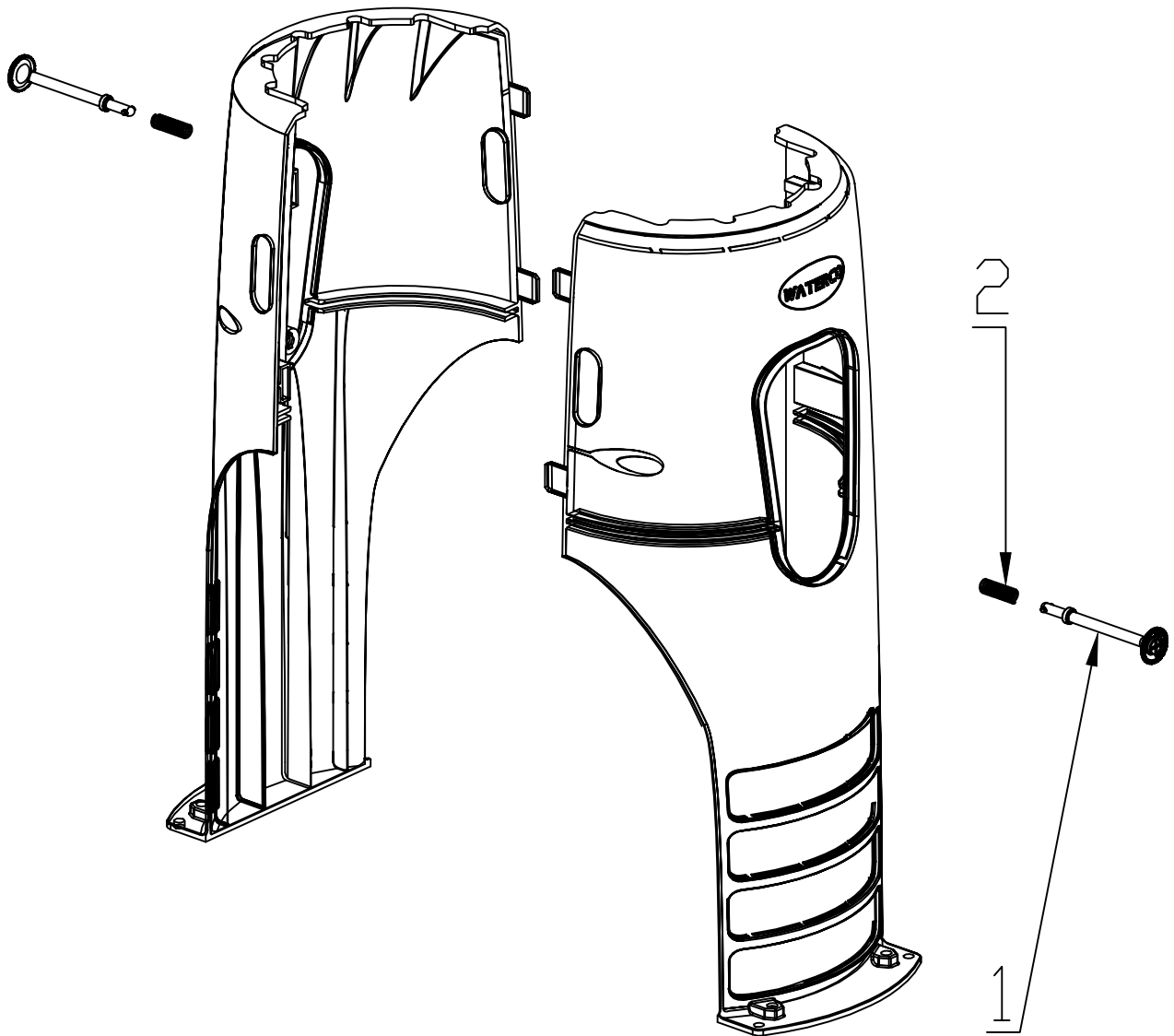
Part Number	Product Description	Diagram Number
61315	M/Cyclone Collector 50mm Clamp Type	1
620221	Air Relief Valve	2
621632	Pressure Gauge Liquid Bottom Mount 400kPa	3
6220202	Clamp Band 8" (2 required)	4
622203	Cap Screw M8X60 Overmoulded (2 required)	5
	Washer Flat M8 Brass	6
622195	Knob with M8 Brass Insert (2 required)	7
61324	O'Ring 4 X 200mm	8
61326	Cartridge HSG Ultra 50/75	9
62453	Cartidge Element 75sq.ft	10
61319	Manifold Plate Assembly 16C 50mm c/w flow director	11/12
61308	O'Ring BS268 (3 required)	13
61303	M/Cyclone Separator	14
61300	M/Cyclone Body	15
61307	O'Ring BS263	16
	O'Ring Main Drain AS228 (2 required)	17
61302	M/Cyclone Sediment Bowl	18
61305	M/Cyclone Partition	19
61306	Baffle Ring	20
62024	Locking Ring 52mm high	21
6340245	Half Union 50mm Black	22/23/24
1222252	Half Union 25mm Black	25/26
644790	'O' Ring BS218	27
140252	Compact Ball Valve 25 Black	28
645461	1/4" Spring Washer (12 required)	30
6340021	M6X45 bolt-Nut-Washers Kit (12ea)	29/30/31/32
1125156	Black Pipe CL15 25mm X 300mm	
1213252	Elbow 90 Deg 25mm - Black	



Multicyclone Stand Over Pump

Product code: 2003730

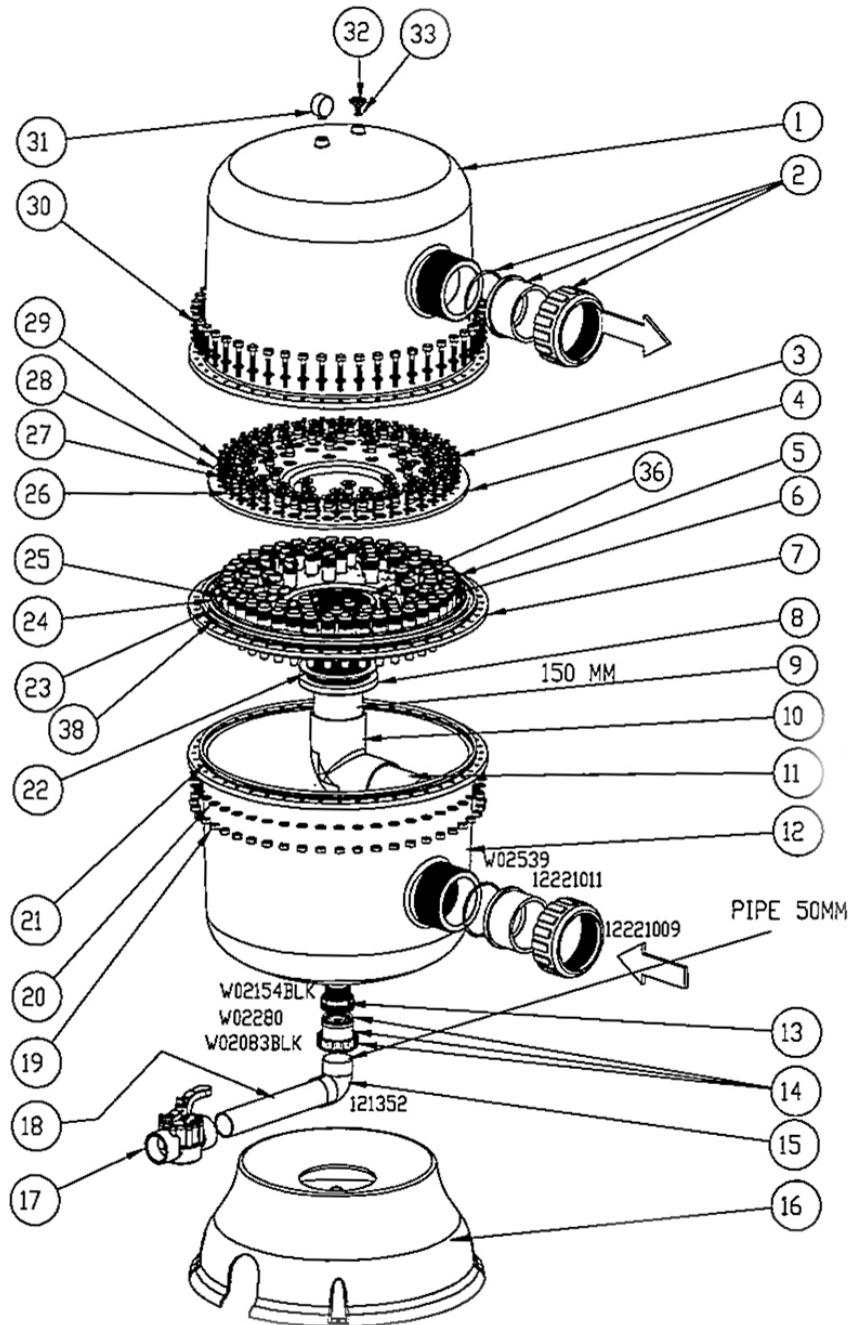
Part Number	Product Description	Diagram Number
613092	Multicyclone Quarter Turn Key	1
613093	Multicyclone Turn Key Spring	2



Multicyclone 70XL Commercial

Product code: 200391

Part Number	Product Description	Diagram Number
12221006	Bulkhead Locking Nut 100mm - Black	1
6340060	H/Nut SS316 M6	2
620193	O'Ring BS12	
620221	Air Release Valve - Black Clear	
621621	Pressure Gauge	

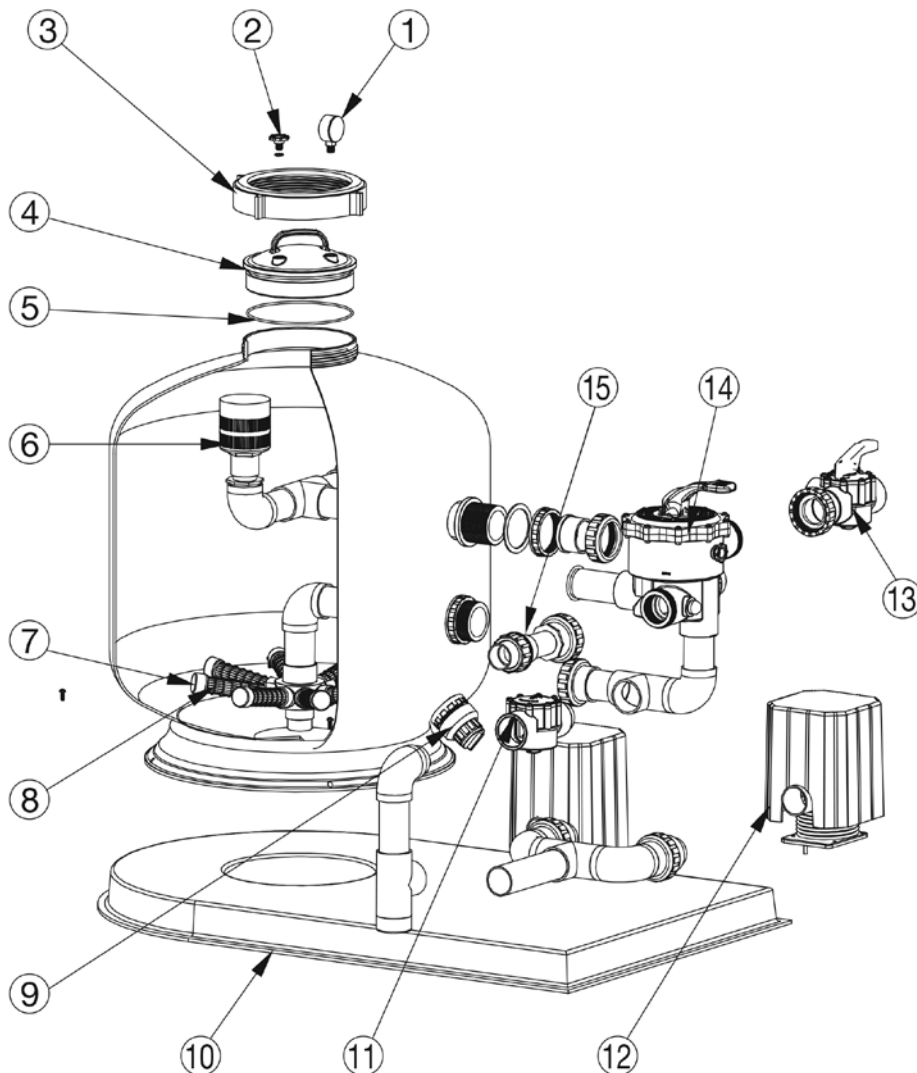


Ultravac Service Trolley

Part Number	Product Description	Diagram Number
200376	M/Cyclone 12 Plus C40 Cart Filter 40mm	1
2403050	Supastream Pump 050 PNR	2
122312	Hose Adaptor Barbed 1"x1 1/2" Union	6
121342	Elbow 90 Deg 40mm (Black)	7
3264002	UltraVac Metal Trolley Rack MultiCyclone 12 Type with Wheels	8
3264013	Isolator 32A 230V-440V & RCD Plug 10A & Cable Assembly	9
3264011	PE Wheel Cap for UltraVac	10
3264012	Rubber Grommet for UltraVac	11
3264014	Hollow Trad Wheel with PP Spoked Rim 20"X1-3/4 (88S8044)	12
6340040	T'Tuf H&L Pot Foot Bolt M6x20 S/S316	13
6340030	Drain Plug 80mm complete	14
6340826	Nut M4 Nyloc Hexagonal SS304	18

Aquabiome Skids

Part Number	Product Description	Diagram Number
621632	Pressure gauge Bottom Mount (oil filled) 400kPa	1
620221	Air release valve	2
62024BLK	Lock Ring Black	3
6209291	Filter Lid 8"	4
62026	Lid O Ring	5
6209412	Diffuser 0.5mm Short	6
620925	Lateral End Cap PP	7
6209210	Lateral 1.1mm x 75mm (ASM400, ASM600, ASM750, ASM900)	8
6209220	Lateral 1.1mm x 110mm (ASM600)	8
6209230	Lateral 1.1mm x 145mm (ASM500, ASM750)	8
6209240	Lateral 1.1mm x 200mm (ASM900)	8
220008200	ASM500 Filter Tank Only	
220008240	ASM600 Filter Tank Only	
220008300	ASM750 Filter Tank Only	
220008360	ASM900 Filter Tank Only	
6209303	Drain Plug Complete 40mm Black	9
455569	Skid Base ASM400, ASM500	10
620822	Skid Base ASM600	10
620823	Skid Base ASM750, ASM900	10
	Check Valve 50/65mm 180deg	11
282400	Air Blower	12
14862	40/50mm 2 Way Valve (ASM500, ASM600)	13
14856	50/60mm 2 Way Valve (ASM750, ASM900)	13
229042	MPV 40mm (ASM500, ASM600)	14
229052	MPV 50mm (ASM750, ASM900)	14
2290492	MPV 40mm c/w Plumbing (ASM400-600)	
2290592	MPV 50mm c/w Plumbing (ASM750-900)	



Waterco Limited Established since 1981, Waterco is an Australian publicly listed company involved in the manufacture and distribution of swimming pool and spa equipment and chemicals, domestic water filters, softeners and purifiers, and commercial and industrial water treatment equipment.

Waterco's research and development team has created an innovative range of award-winning products. The company's advanced fibreglass winding and pioneering plastic moulding techniques have delivered premium quality products to over 40 countries via its branches operating in Australia, New Zealand, Malaysia, China, the United Kingdom, United States of America, Canada, Indonesia, Singapore and Vietnam.

OFFICES - AUSTRALIA

NSW - SYDNEY (HEAD OFFICE)

Tel: +61 2 9898 8600

QLD - BRISBANE

Tel: +61 7 3299 9900

VIC/TAS - MELBOURNE

Tel: +61 3 9764 1211

WA - PERTH

Tel: +61 8 9273 1900

SA/NT - ADELAIDE

Tel: +61 8 8244 6000

ACT DISTRIBUTION

Tel: +61 2 6280 6476

OFFICES - OVERSEAS

WATERCO (EUROPE) LIMITED

Sittingbourne, Kent, UK
Tel: +44 (0) 1795 521 733

WATERCO (USA) INC

Augusta, Georgia, USA
Tel: +1 706 793 7291

WATERCO CANADA

Boucherville, Quebec, Canada
Tel: +1 450 748 1421

WATERCO (NZ) LIMITED

Auckland, New Zealand
Tel: +64 9 525 7570

WATERCO (C) LIMITED

Guangzhou, China
Tel: +86 20 3222 2180

WATERCO (FAR EAST) SDN BHD

Selangor, Malaysia
Tel: +60 3 6145 6000

PT WATERCO INDONESIA

Jakarta, Indonesia
Tel: +62 21 4585 1481

WATERCO SINGAPORE INTL PTE LTD

Mapex Building, Singapore
Tel: +65 6344 2378

WATERCO VIETNAM COMPANY LIMITED

Ho Chi Minh City, Vietnam
Tel: +84 28 3622 7780