

WATERCO

water, the liquid of life

BRITESTREAM

WET NICHE & MOUNTING RING

(Refer to Britestream LED Light Instructions for further details on installation)

FOR CONCRETE POOLS AND SPAS

This Wet Niche Assembly does not include the Britestream LED Light. The Britestream Niche LED Lights needs to be procured separately.

Wet Niche Assembly Product Code #264421 (Black Standard Length 147mm)

Wet Niche Product Code #264423 (Black Reduced Length 105mm)

Wet Niche 264421 (Black Standard Length) and 264423 (Black Reduced Length) are suitable for all Waterco Niche LED pool lights models and variations.

The following points are to be observed to ensure a successful installation of your Britestream.

POSITIONING THE NICHE

The Britestream is to be installed no deeper than 500mm below coping. Secure the niche to the reinforcement steel with tie wires as shown in Fig 1

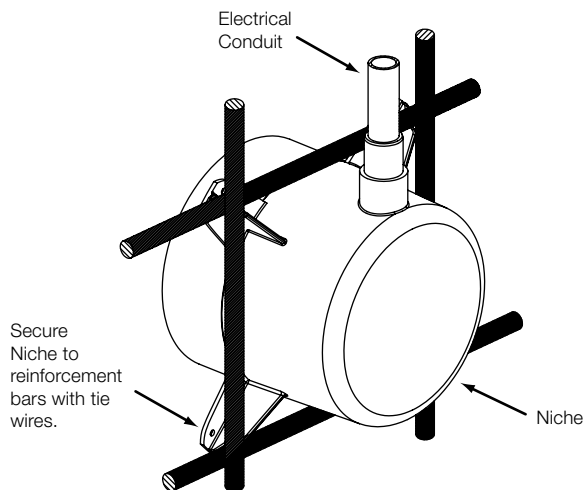


Fig 1

Make sure to leave enough space around the rear of the niche for concrete, otherwise leaking might occur at the thinner sections of concrete, refer to Fig 2.

Glue electrical conduit to the niche socket. Either use 20mm conduit which will fit into the socket, or use 25mm conduit, the conduit socket end will fit the outside the niche socket. The conduit must terminate above water level.

To install later cable with ease it is advisable to thread a draw string through conduits.

If a junction box is not fitted, when continuing the conduit run make sure the conduit run is interrupted above water level (so it is not airtight), otherwise siphoning might occur.

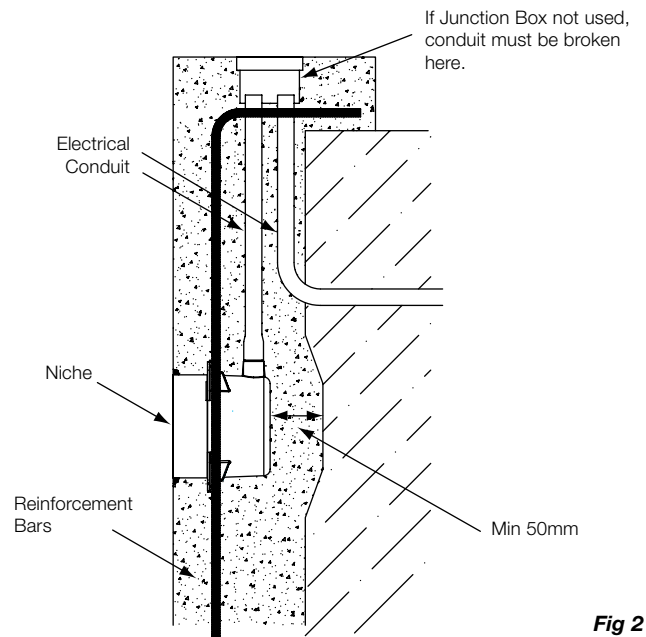


Fig 2

SPRAYING CONCRETE

Make sure the styrene foam plug is fitted into the Niche prior to commencing spraying concrete.

When the concrete is being sprayed it is important to ensure the niche surface is fully covered all around and at the back. Any void or thin section of concrete increases the risk of leaking. Ensure that the concrete surface is level with the niche.

Create an annular recess around the Niche before the concrete sets as shown in Fig 3.

SEALING

When the concrete has fully set, the styrene foam plug can be removed. Apply a 2 part epoxy into the annular groove around the niche as shown in Fig 3.

It may be necessary to trim the front of the niche to make it level with the concrete; do not trim too much off as there may not be enough space left for storing cable etc.

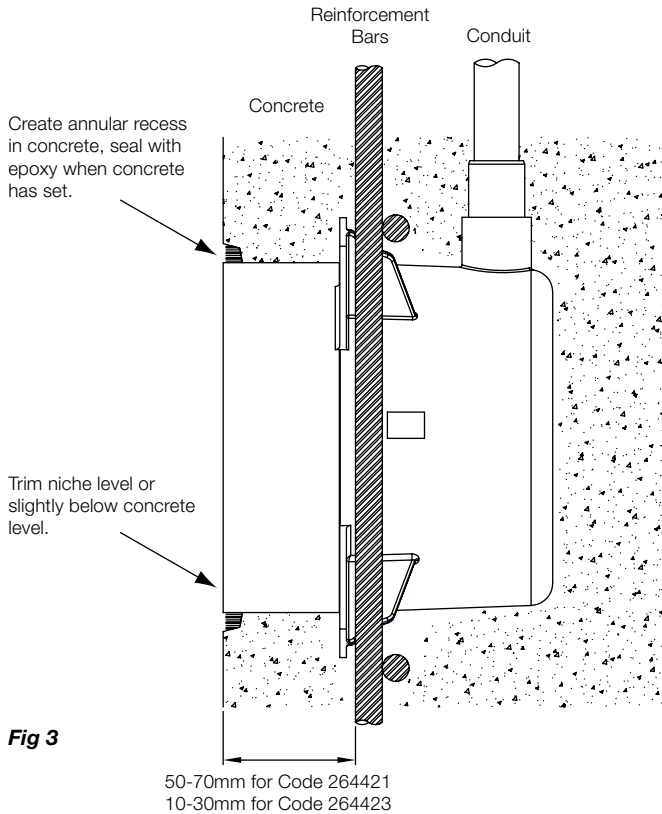


Fig 3

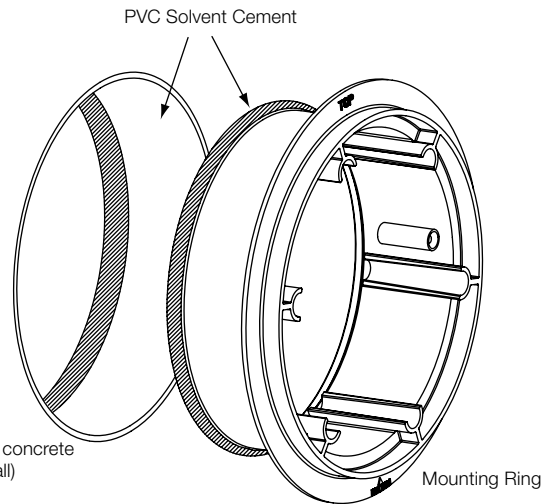


Fig 4

DISCLAIMER

Waterco takes no responsibility for Underwater Lights that are installed incorrectly or used beyond its intended purpose and specification.

Waterco has a policy of continuous research and development and reserves the right to amend without notice the specification and design of its products.

DIAGRAM AND PARTS LIST

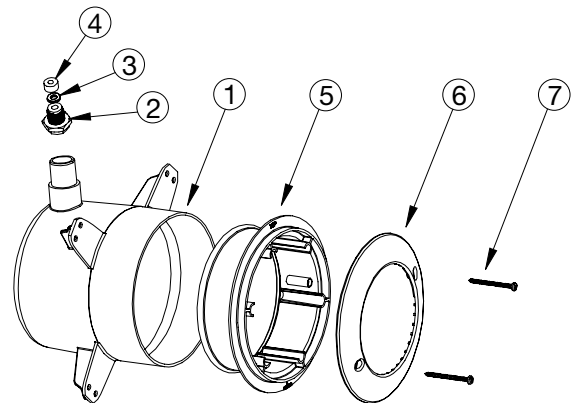


Fig 5

FITTING THE MOUNTING RING

Apply PVC solvent glue to the outside 'belt' of the Mounting Ring as well as to the inside of the Niche as shown in Fig 4.

With 'TOP' facing upwards, insert Mounting Ring into Niche and push fully in.

When rendering, bear in mind the finished tile surface is to be level with the front edge of the Mounting Ring.

ITEM	QTY	PART NO.	DESCRIPTION
1	1	65011090 65011091	NICHE 147mm (Code 264421) NICHE 105MM (Code 264423)
2	1	65011120	GLAND NUT
3	1	65011130	PLASTIC WASHER
4	1	6501114	RUBBER RING
5	1	65011100	MOUNTING RING
6	1	6501130	DRESS RIM
7	2	6501122	SCREW

Note: Item (5) Mounting Ring is packed with the Britestream Niche LED Light. Items (6) Stainless Steel Dress Rim & (7) Screws are optional items only and are not included within Wet Niche & Mounting Ring Kit.

WATERCO

Waterco Limited ABN 62 002 070 733

OFFICES - AUSTRALIA

NSW - SYDNEY
(HEAD OFFICE)
Tel: +61 2 9898 8600

QLD - BRISBANE
Tel: +61 7 3299 9900

VIC/TAS - MELBOURNE
Tel: +61 3 9764 1211

WA - PERTH
Tel: +61 8 9273 1900

SA/NT - ADELAIDE
Tel: +61 8 8244 6000

ACT DISTRIBUTION
Tel: +61 2 6280 6476

OFFICES - OVERSEAS

WATERCO (EUROPE) LIMITED
Sittingbourne, Kent, UK
Tel: +44 (0) 1795 521 733

WATERCO (USA) INC
Augusta, Georgia, USA
Tel: +1 706 793 7291

WATERCO CANADA
Longueuil, Quebec, Canada
Tel: +1 450 748 1421

WATERCO (NZ) LIMITED
Auckland, New Zealand
Tel: +64 9 525 7570

WATERCO © LIMITED
Guangzhou, China
Tel: +86 20 3222 2180

WATERCO (FAR EAST) SDN BHD
Selangor, Malaysia
Tel: +60 3 6145 6000

PT WATERCO INDONESIA
Jakarta, Indonesia
Tel: +62 21 4585 1481

WATERCO SINGAPORE INTL PTE LTD
Nehsons Building, Singapore
Tel: +65 6344 2378