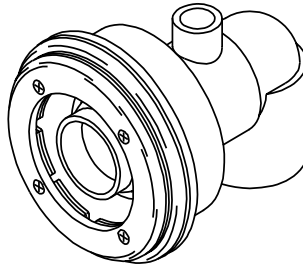
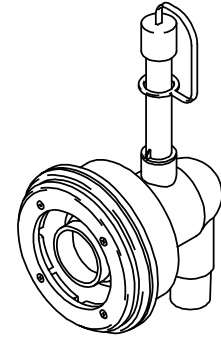


OLD FAITHFUL
 P/N 210-7300 - .925" Orifice
 P/N 210-7310 - 1.50" Orifice



VINYL LINER, OLD FAITHFUL
 P/N 210-7350 - 1.50" Orifice
 FIG. 1



VINYL LINER, OLD FAITHFUL
 P/N 210-7330 - .925" Orifice
 P?N 210-7340 - 1.50" Orifice

To insure the correct installation of the Old Faithful & Vinyl Liner jet, please take the time to read the following instructions:

- Using a 4^{5/8}" hole saw (if not available use a 4^{3/4}"), cut a hole on a flat surface in the spa.
- clean the area of any debris after cutting hole.
- Insert the wallfitting with gasket or through the spa wall.
- Place a gasket or apply a sealant into the groove on the body. (see fig. 3 or 5)
- Using Waterways installation wrench/ test lug P/N 218-1570 (see fig. 4), screw the wallfitting onto the body unit until it is snug.
- Wipe off any excess sealant. (wait the sealant manufactures recommended time to allow sealant to cure.)

NOTE: When applying a S/S trim rig (P/N 216-4050) follow these steps:

- clean the surface of the escutcheon with alcohol (see fig. 3)
- Remove paper from adhesive side of S/S Trim Ring and apply to cleaned surface of escutcheon.
- Place assembly onto an arbor press and apply pressure for 10 seconds.

CAUTION: If an arbor press is not used for this procedure Trim ring will not glue to Wall fitting properly.

- When installing Vinyl Liner Jet do not apply silicone to Gasket, but if silicone is needed apply only a small amount.
- When putting on Wallfitting Cover (P/N 215-7320) do not over tighten screws, or tightening may cause gasket to pinch out. (See fig 4).
- See fig. 2 to determine size of pump to run with these Old faithful & Vinyl Liner Jets.

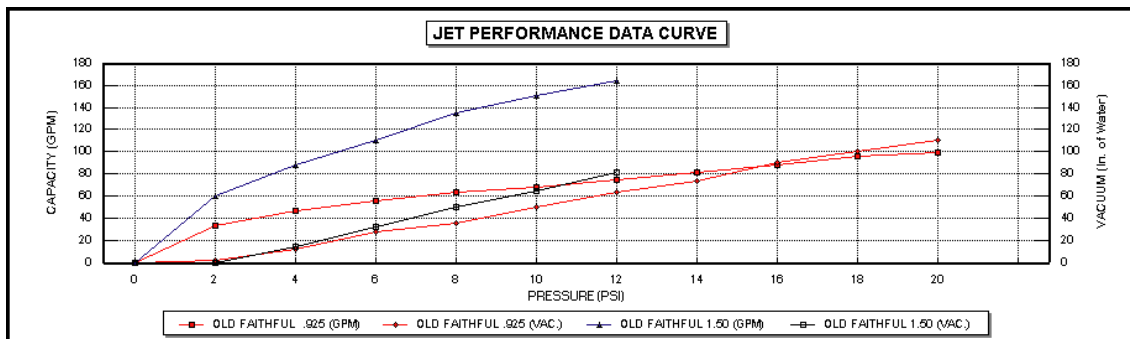


FIG 2.

OLD FAITHFUL & VINYL LINER JETS INSTALLATION INSTRUCTIONS (CON'T)

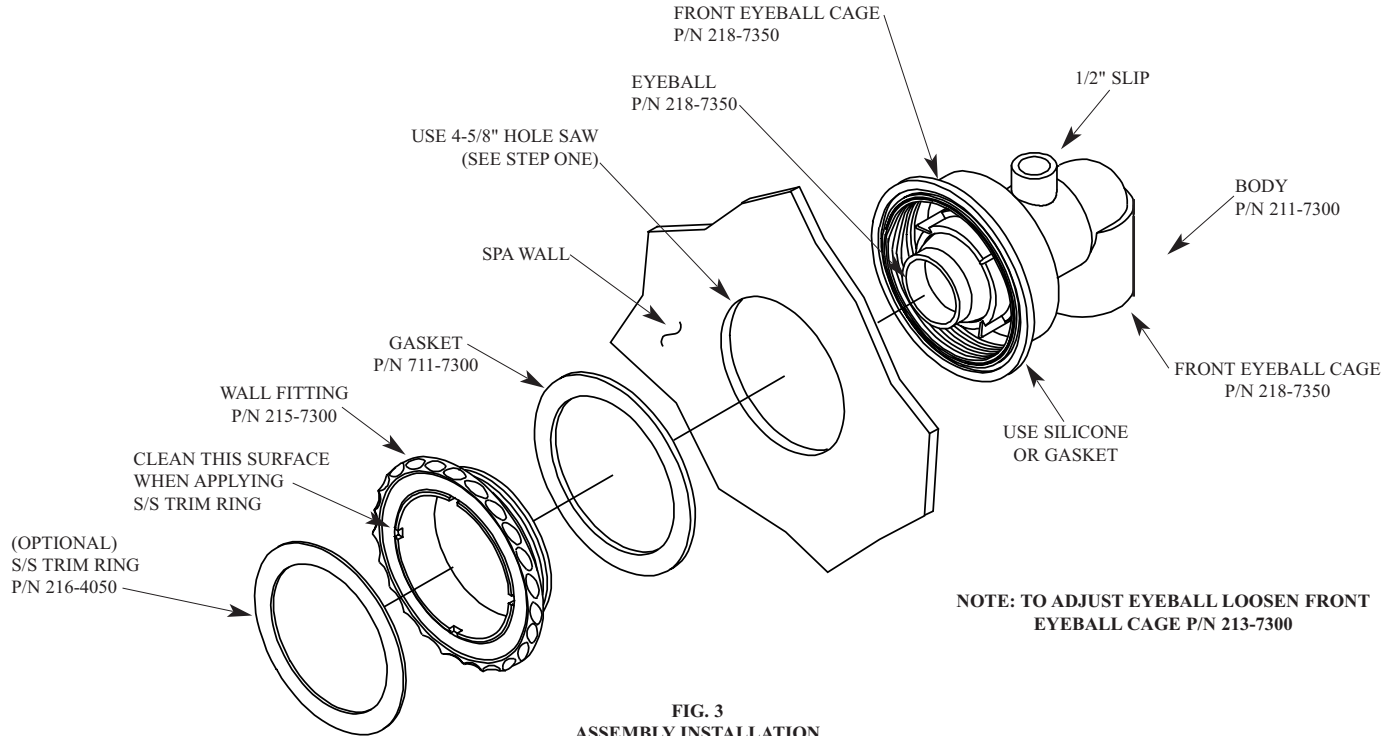


FIG. 3
ASSEMBLY INSTALLATION
FOR P/N 210-7300, 7310

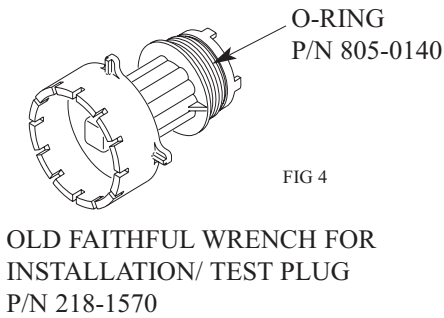


FIG. 4

OLD FAITHFUL WRENCH FOR
INSTALLATION/ TEST PLUG
P/N 218-1570

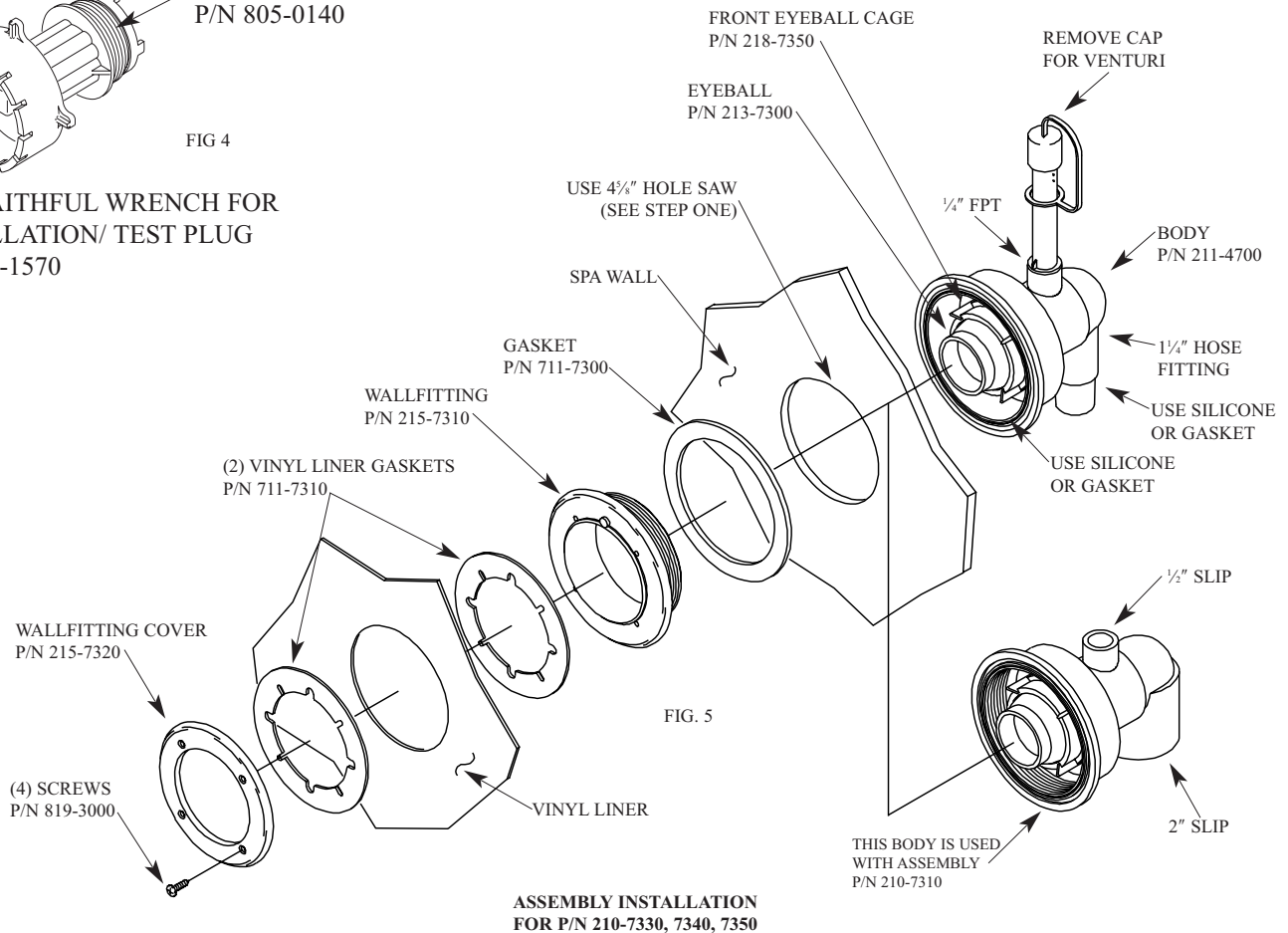


FIG. 5

ASSEMBLY INSTALLATION
FOR P/N 210-7330, 7340, 7350